



Abaco Chestnut Finish

TV Lift Cabinet

Cabinet Features:

- Ships fully assembled.
- Dentil moldings underneath top.
- Four solid framed doors.
- Center doors come with wood and speaker cloth.
- Two ventilated adjustable shelves behind doors.
- Pre-installed IR (Infrared) and emitters.
- Large solid brass knobs in antique brass.
- Open cubby for soundbars and accessories.
- Fully ventilated backs to allow for generous air circulation.

Lift Features:

- Fully assembled and pre-installed.
- 1 year in home parts and labor warranty.
- Radio Frequency Remote.
- Thermal overload protection.
- Certified Crestron Intergrated Partner.
- AMX Certified Partner.
- Built in safety features.
- Universal TV mounting bracket included.
- Pre-installed heavy-duty lift system
- Smooth and stable travel.
- Nearly silent operation.
- Welded steel construction.
- Thermal overload protection.
- Manual controls included, Patent pending.



Infrared relay system provides a window from your handheld remotes to your TV and audio components even though they are concealed inside the cabinet. No programming required!



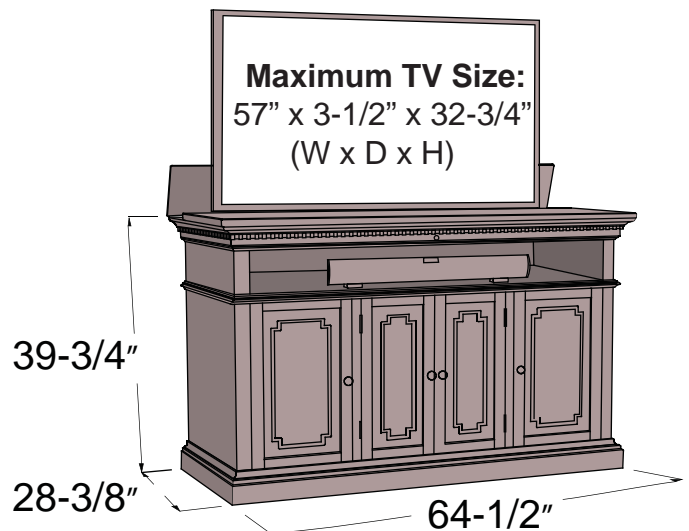
Radio frequency remote for operating TV lift mechanism



Shown closed
Speaker Cloth



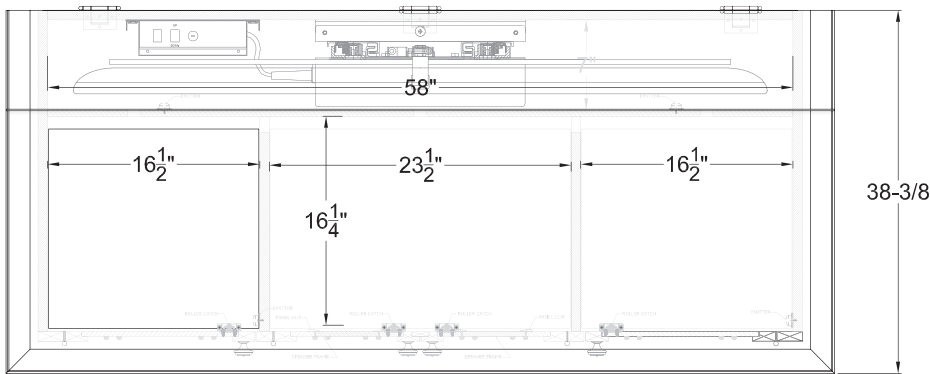
Shown open



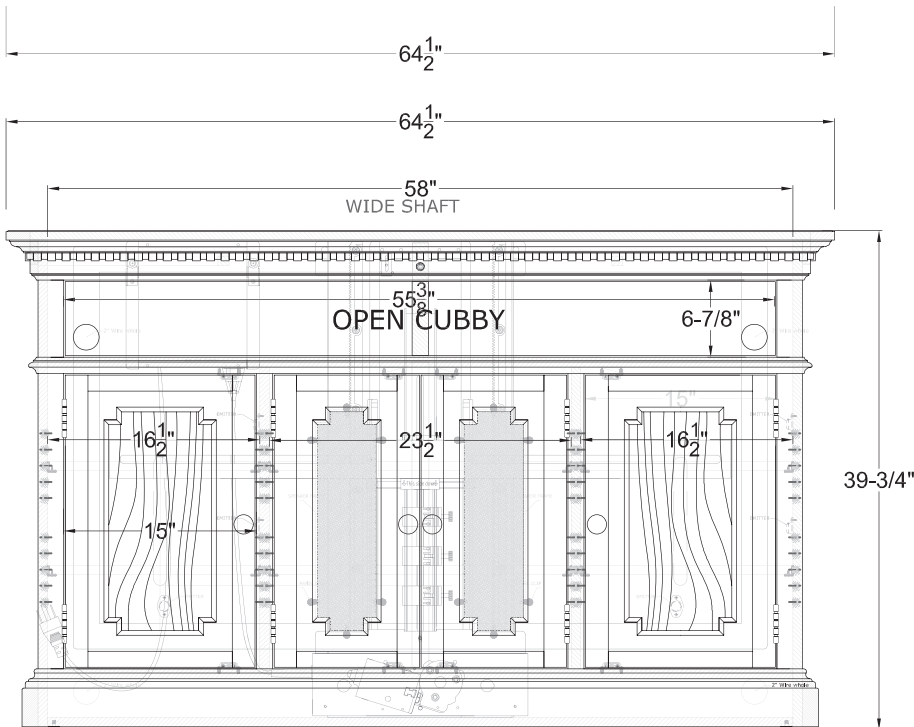
Abaco Chestnut Finish

TV Lift Cabinet

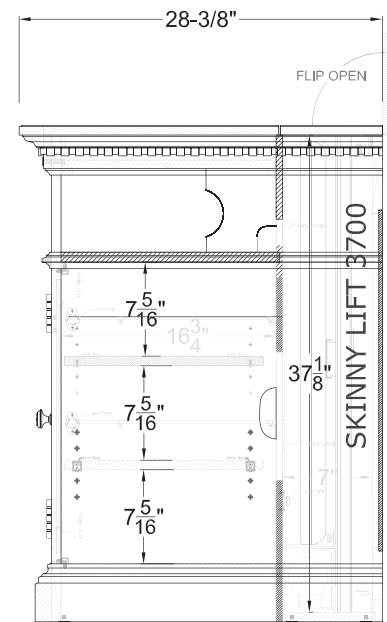
Dimension Drawing



TOP VIEW



FRONT VIEW



SIDE VIEW

Adagio Antique Coffee

TV Lift Cabinet

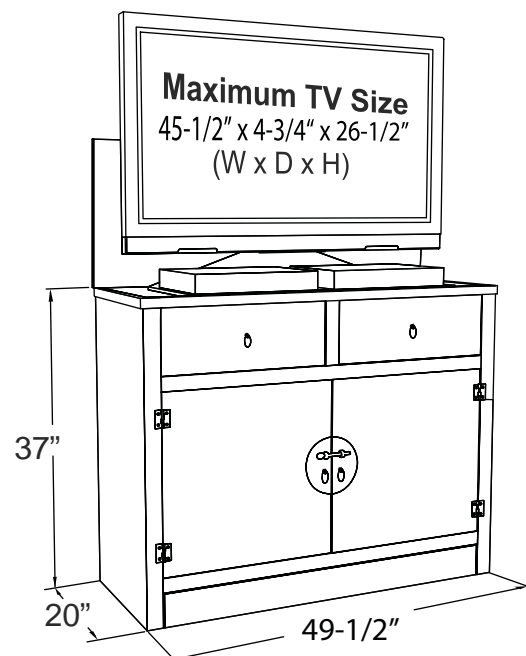
Cabinet Features:

- Handcrafted in the USA by our Amish craftsmen.
- Made of solid Maple wood.
- Finished identically on all 4 sides.
- Solid-brass, hand stamped hardware
- Fully assembled.
- Full 1 year in-home warranty.
- Max. TV Size: 45-1/2" x 4-3/4" x 26-1/2".
- Max. Loading Weight: 80 pounds.
(most 46" TV's weigh 40-50 pounds)
- Max. Lift Equipment Depth: 17"
- Constructed of Select Hardwoods.
- Lift: Rack and pinion – UL Recognized.



Lift Features:

- Fully assembled & pre-installed.
- Accommodates all CURVED TV's.
- 1 year in home parts and labor warranty.
- Universal TV mounting bracket included.
- Radio Frequency Remote.
- Heavy-duty rack and pinion drive system.
- Smooth and stable travel.
- Nearly silent operation.
- Welded steel construction.
- Thermal overload protection.
- Built-in wire management.
- Patent Pending.



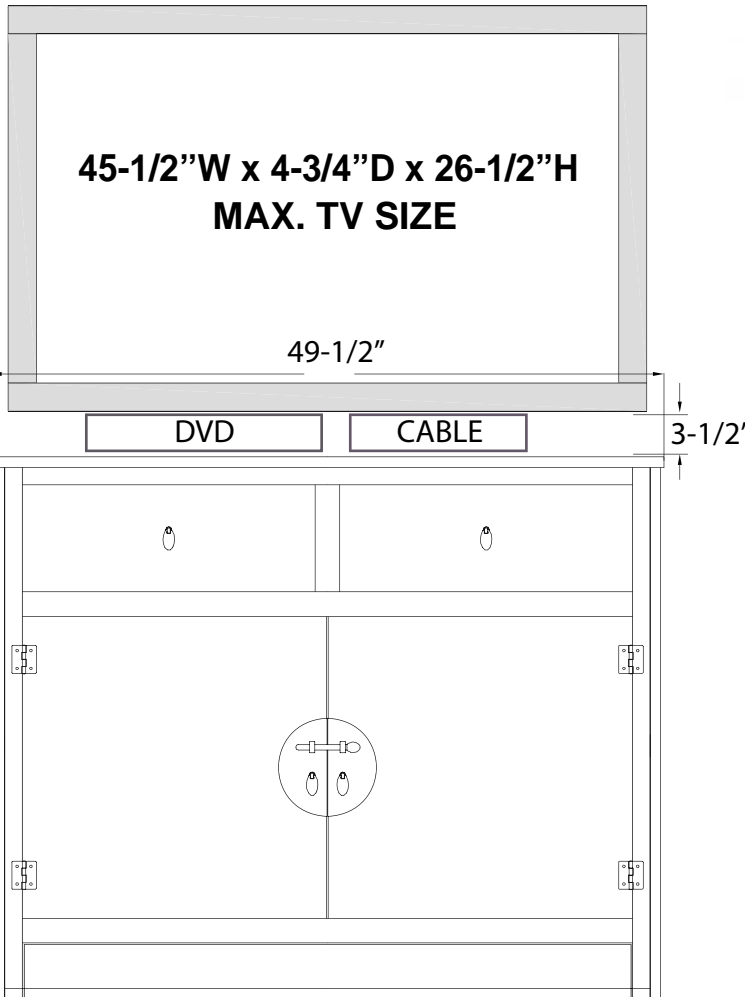
Adagio Antique Coffee

TV Lift Cabinet

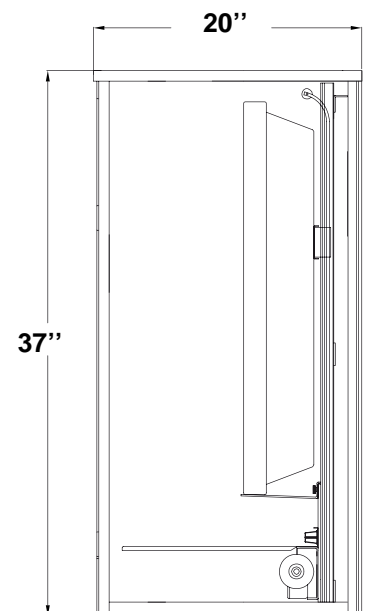
Dimension Drawing



TOP VIEW



FRONT VIEW



SIDE VIEW

Adagio Black

TV Lift Cabinet

Cabinet Features:

- Handcrafted in the USA by our Amish craftsmen.
- Made of solid Maple wood.
- Finished identically on all 4 sides.
- Solid-brass, hand stamped hardware
- Fully assembled.
- Full 1 year in-home warranty.
- Max. TV Size: 45-1/2" x 4-3/4" x 26-1/2".
- Max. Loading Weight: 80 pounds.
(most 46" TV's weigh 40-50 pounds)
- Max. Lift Equipment Depth: 17"
- Constructed of Select Hardwoods.
- Lift: Rack and pinion – UL Recognized.

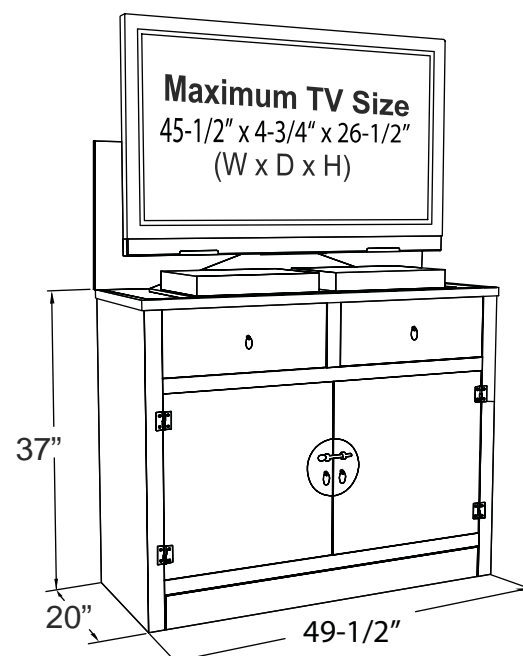


Shown closed

Shown back

Lift Features:

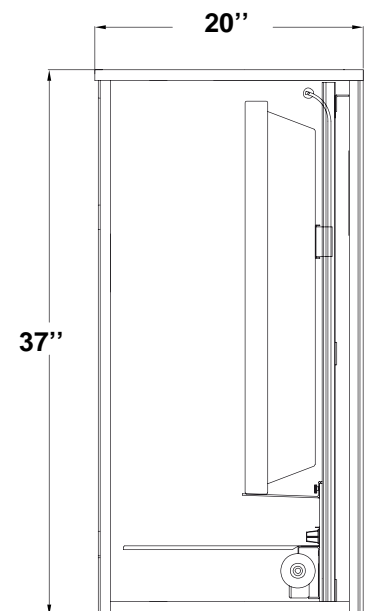
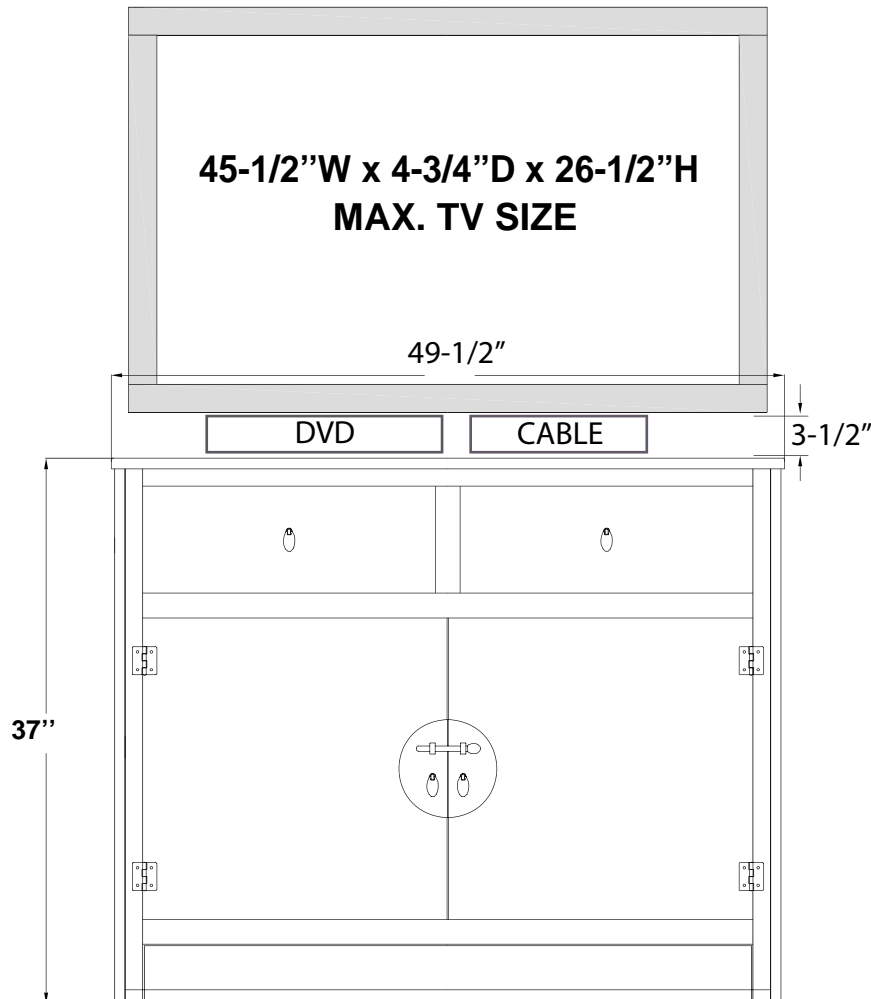
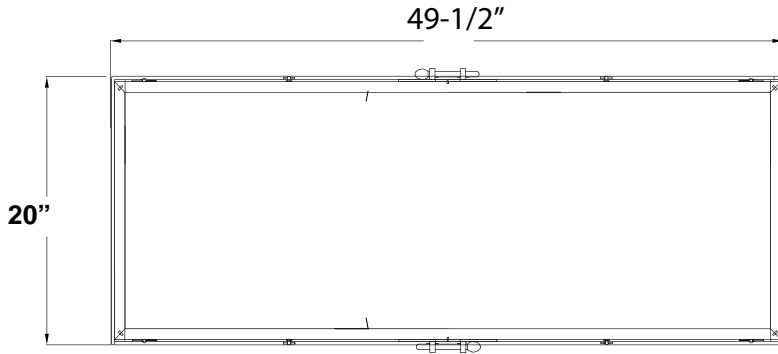
- Fully assembled & pre-installed.
- Accommodates all CURVED TV's.
- 1 year in home parts and labor warranty.
- Universal TV mounting bracket included.
- Radio Frequency Remote.
- Heavy-duty rack and pinion drive system.
- Smooth and stable travel.
- Nearly silent operation.
- Welded steel construction.
- Thermal overload protection.
- Built-in wire management.
- Patent Pending.



Adagio Black

TV Lift Cabinet

Dimension Drawing



Adagio Caramel

TV Lift Cabinet

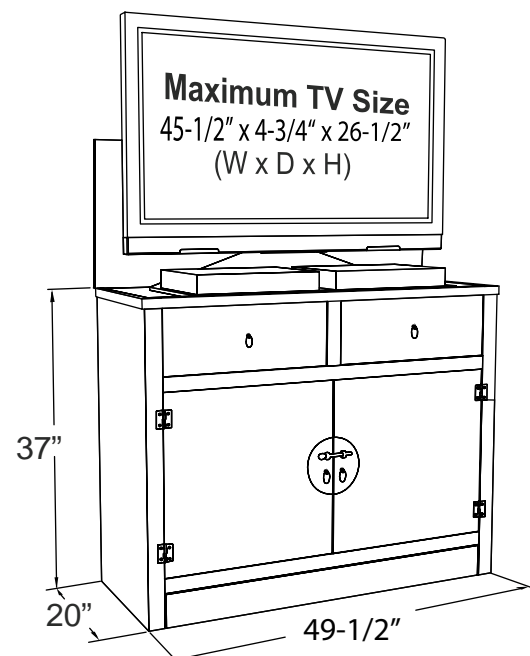
Cabinet Features:

- Handcrafted in the USA by our Amish craftsmen.
- Made of solid Maple wood.
- Finished identically on all 4 sides.
- Solid-brass, hand stamped hardware
- Fully assembled.
- Full 1 year in-home warranty.
- Max. TV Size: 45-1/2" x 4-3/4" x 26-1/2".
- Max. Loading Weight: 80 pounds.
(most 46" TV's weigh 40-50 pounds)
- Max. Lift Equipment Depth: 17"
- Constructed of Select Hardwoods.
- Lift: Rack and pinion – UL Recognized.



Lift Features:

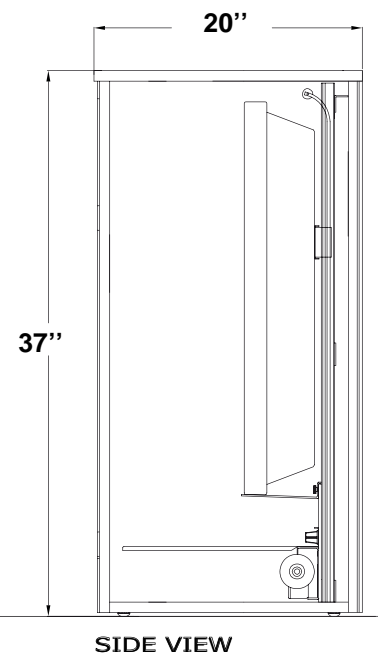
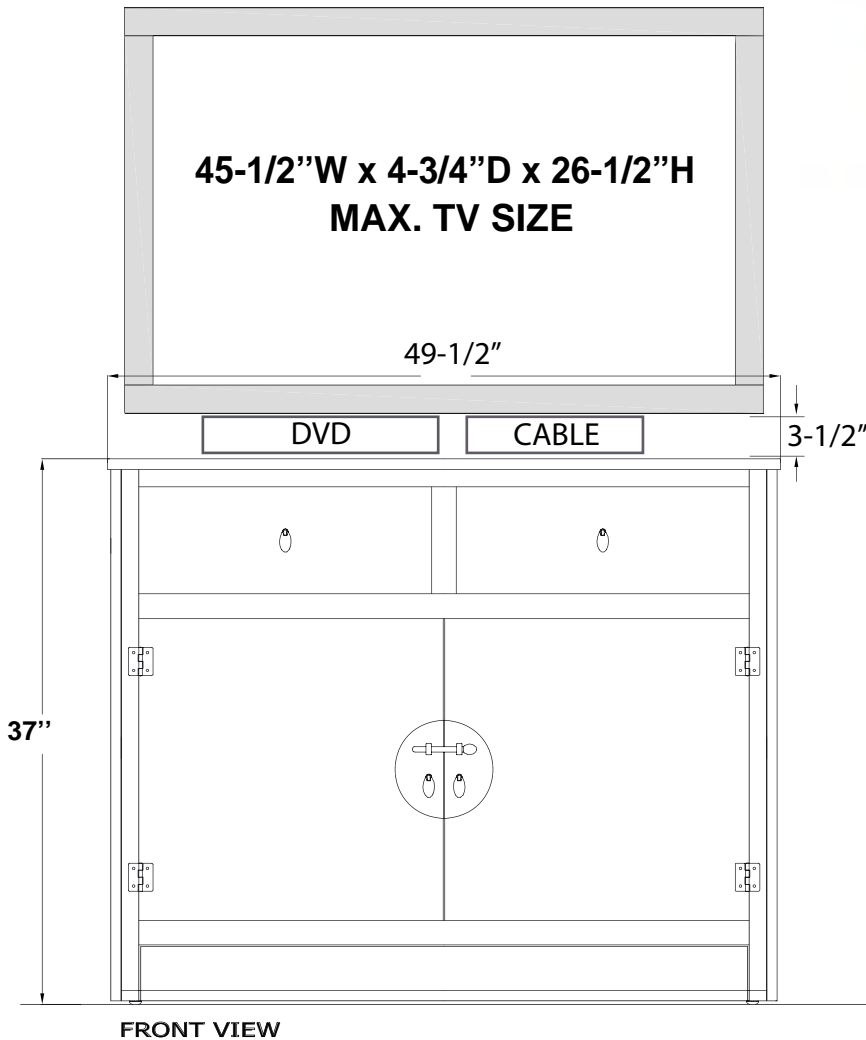
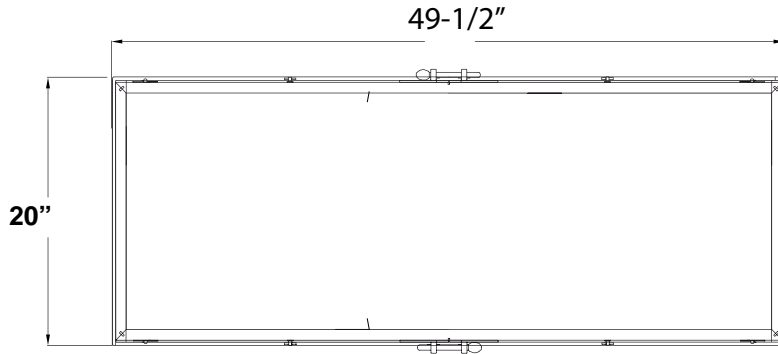
- Fully assembled & pre-installed.
- Accommodates all CURVED TV's.
- 1 year in home parts and labor warranty.
- Universal TV mounting bracket included.
- Radio Frequency Remote.
- Heavy-duty rack and pinion drive system.
- Smooth and stable travel.
- Nearly silent operation.
- Welded steel construction.
- Thermal overload protection.
- Built-in wire management.
- Patent Pending.



Adagio Caramel

TV Lift Cabinet

Dimension Drawing



Addison

TV Lift Cabinet

Cabinet Features:

- Houses TV's 36-60".
- Maximum TV size of 61" x 4" x 32-3/4".
- Onboard manual controls and surge protection.
- Built-in contact closure
- One onboard electrical outlet for your TV.
- Built-in adjustable floor levelers.
- Expertly crafted in the USA by Amish craftsman from solid Maple wood.
- Inside are six adjustable shelves and multiple cord cutouts in the back panel.
- Finished by hand in our high sheen espresso.



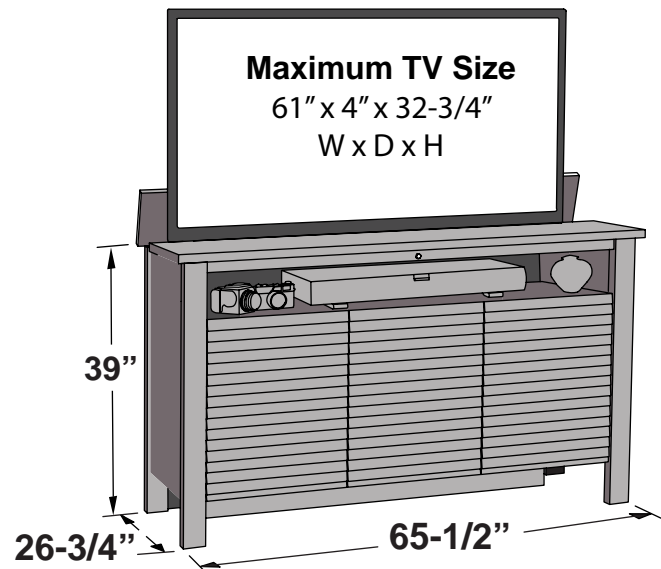
Lift Features:

- Fully assembled & pre-installed.
- 1 year in home parts and labor warranty.
- Radio Frequency Remote.
- Universal TV mounting bracket & TV mounting hardware included.
- Heavy-duty rack and pinion drive system.
- Smooth and stable travel.
- Nearly silent operation.
- Welded steel construction.
- Built-in wire management.
- Patent Pending.

- **Radio frequency remote**
For operating TV lift mechanism.



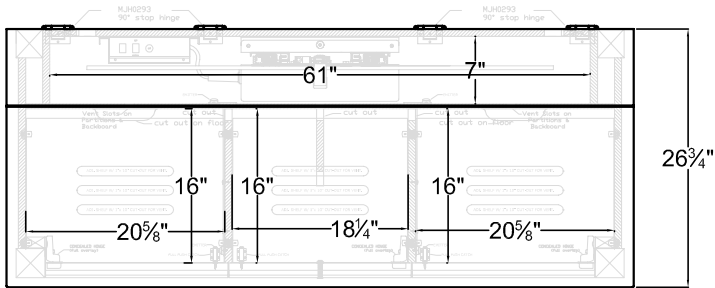
- **Infrared relay system**
Provides a window from your handheld to your TV and AV components even though they are concealed inside the cabinet. No programming required!



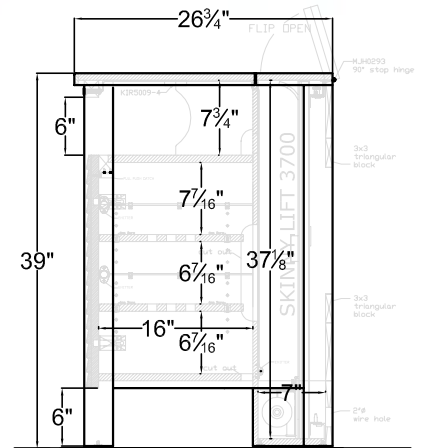
Addison

TV Lift Cabinet

Dimension Drawing

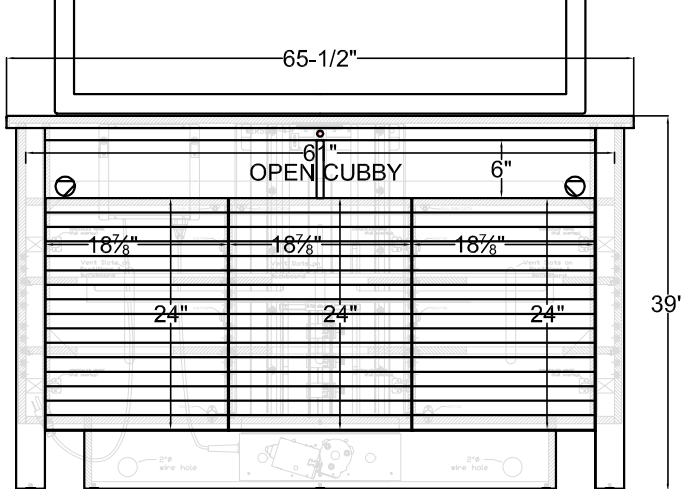


TOP VIEW

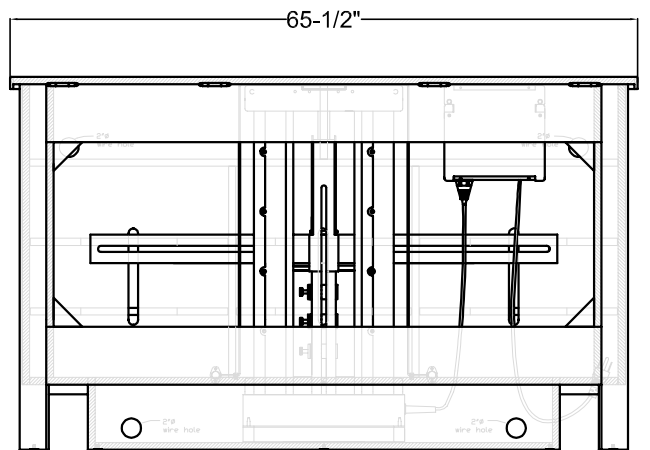


SIDE VIEW

**61"W x 4"D x 32-3/4"HT
MAX. TV SIZE**



FRONT VIEW



REAR VIEW

Antiquity

TV Lift Cabinet

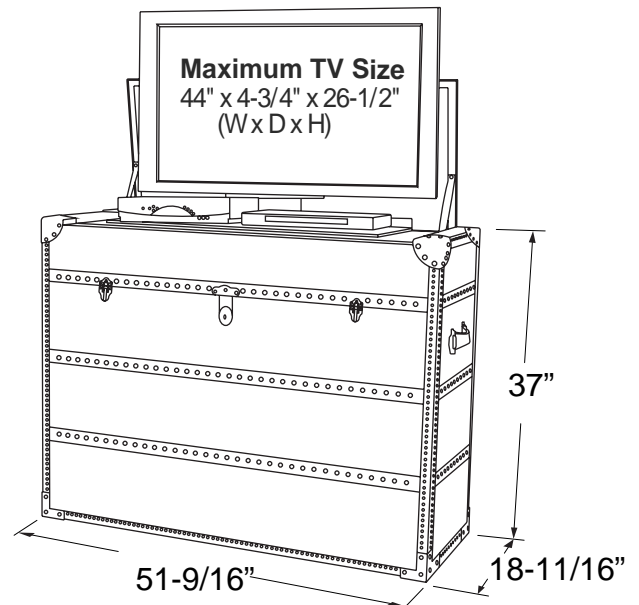
Cabinet Features:

- Finished on all four sides so it may be used at the foot of the bed against the wall or free standing.
- Covered with yards of hand-cut and applied leather which is finished with individual hand hammered antique nail heads.
- Made with solidwood and plywood core.
- Fully assembled.
- Full 1 year in-home warranty.
- Max. TV Size: 44" x 4-3/4" x 26-1/2"
- Max. Loading Weight: 80 pounds (most 46" TV's weigh 40 pounds)
- Max. Lift Equipment Depth: 13-1/4" + 2" for wire management.
- Lift: Rack and pinion – UL Recognized
- Two pieces of electronics ride up and down with the TV keeping them concealed when not in use.



Lift Features:

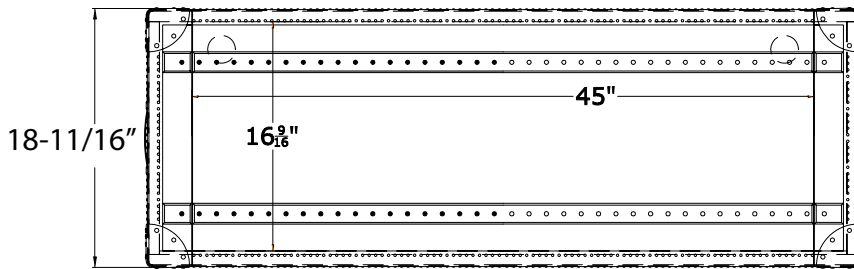
- Fully assembled & pre-installed
- 1 year in home parts and labor warranty.
- Radio Frequency Remote.
- Universal TV mounting bracket & TV mounting hardware included.
- Heavy-duty rack and pinion drive system.
- Smooth and stable travel.
- Nearly silent operation.
- Welded steel construction.
- Built-in wire management.
- Patent Pending.



Antiquity

TV Lift Cabinet

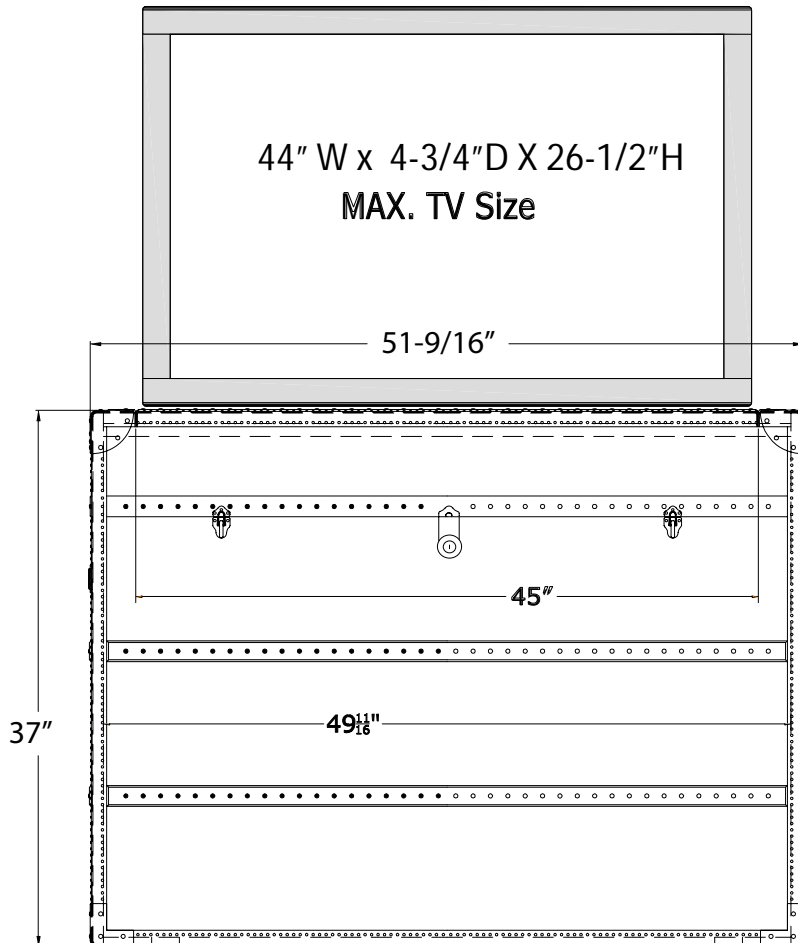
Dimension Drawing



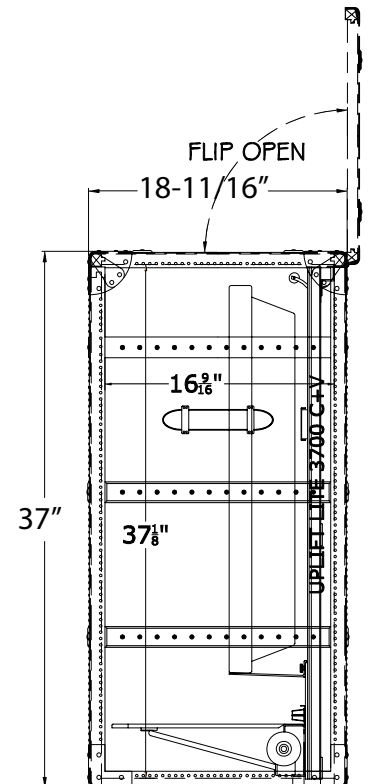
TOP VIEW



44" W x 4-3/4"D X 26-1/2"H
MAX. TV Size



FRONT VIEW



SIDE VIEW

Azura 360 Degree Swivel in Sand Finish

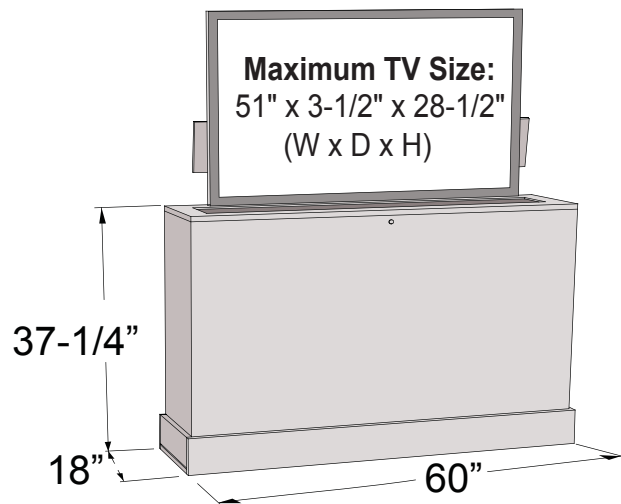
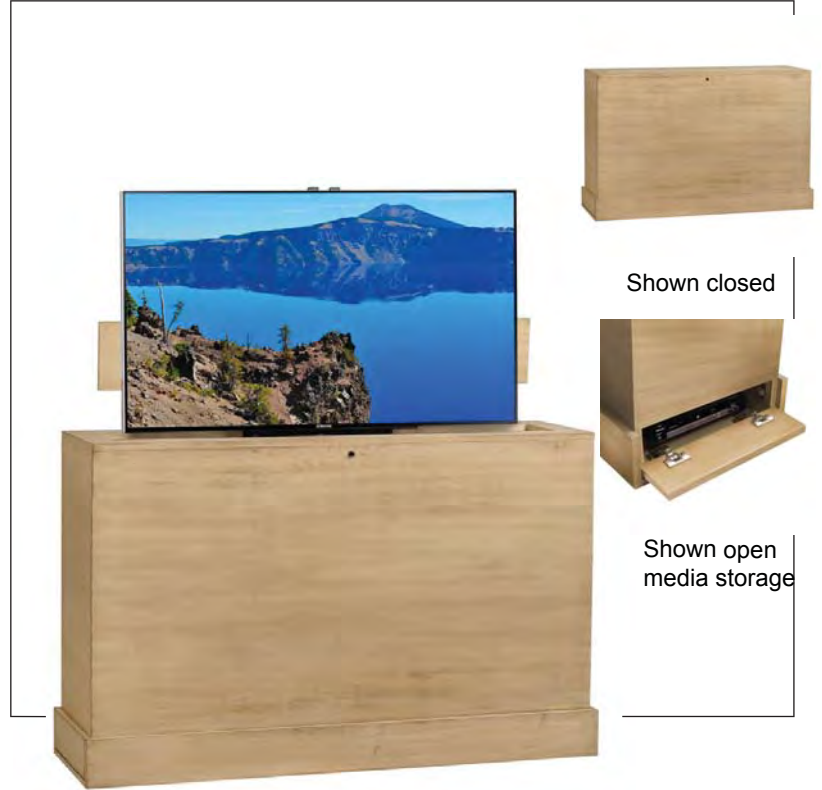
TV Lift Cabinet

Cabinet Features:

- Ships fully assembled.
- Crafted in the USA
- Constructed using American Hard Maple.
- Two hidden flip down panel in the base allows you to conveniently store and conceal your electronics.
- Pre-installed IR (Infrared) and emitters.
- Finished identically on all 4 sides
- Interior cord-slots to organize and hide AV cables.

Lift Features:

- Fully assembled and pre-installed.
- 1 year in home parts and labor warranty.
- Radio Frequency Remote.
- Thermal overload protection.
- Certified Crestron Intergrated Partner.
- AMX Certified Partner.
- Built in safety features.
- Universal TV mounting bracket included.
- Pre-installed heavy-duty lift system
- Smooth and stable travel.
- Nearly silent operation.
- Welded steel construction.
- Thermal overload protection.
- Manual controls included, Patent pending.



Infrared relay system provides a window from your handheld remotes to your TV and audio components even though they are concealed inside the cabinet. No programming required!

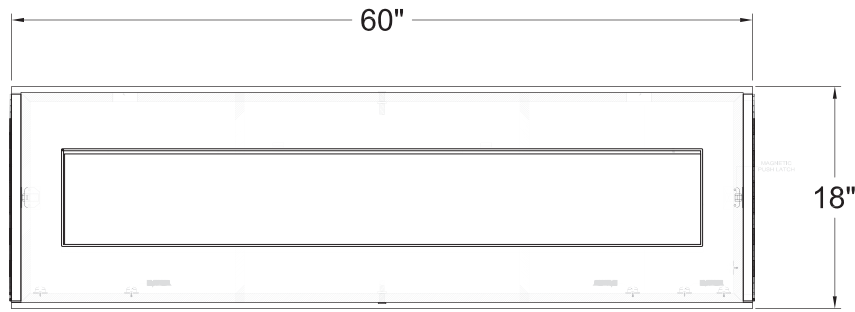


Radio frequency remote for operating TV lift mechanism

Azura 360 Degree Swivel in Sand Finish

TV Lift Cabinet

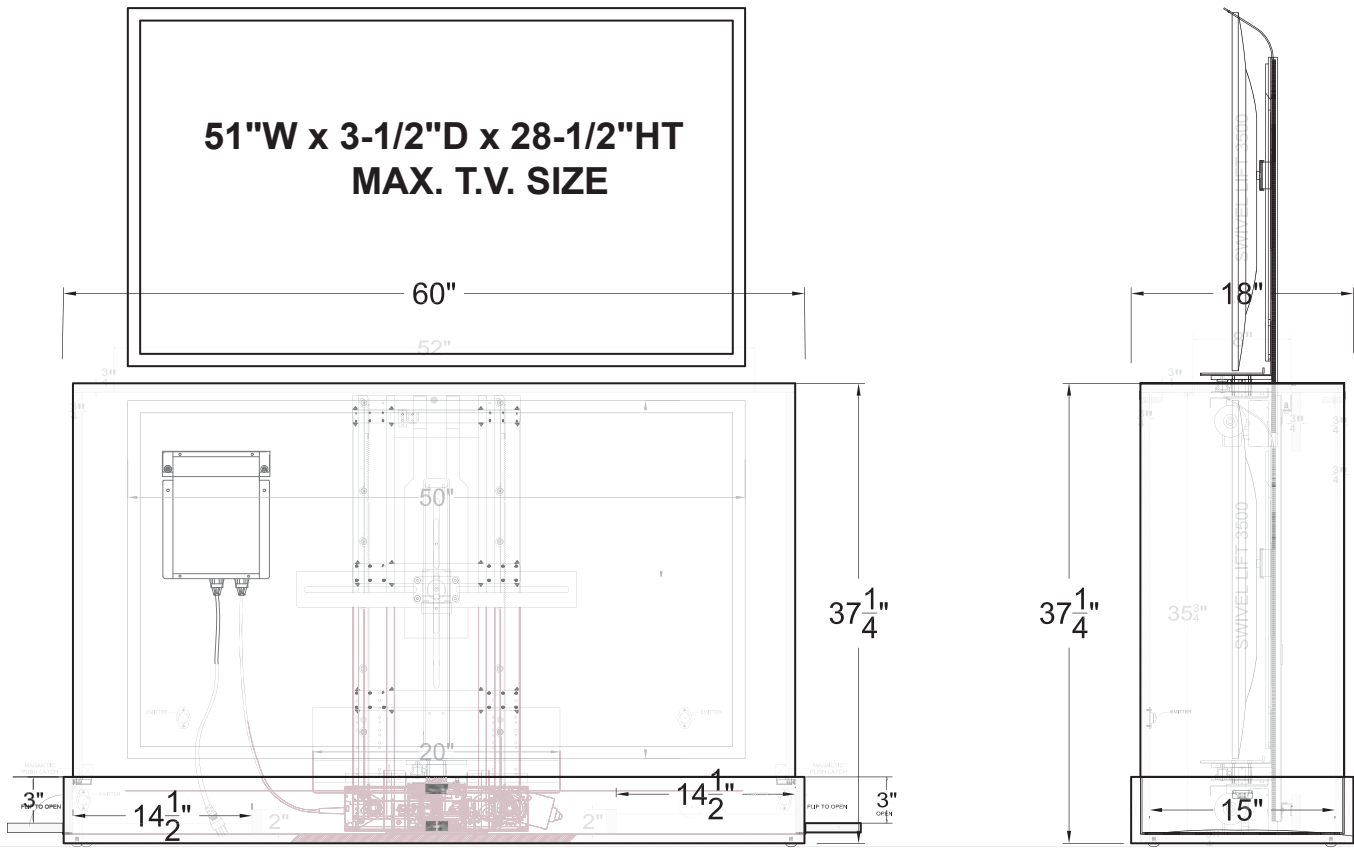
Dimensional Drawing



TOP VIEW



**51"W x 3-1/2"D x 28-1/2"HT
MAX. T.V. SIZE**



FRONT VIEW

SIDE VIEW

Azura Sonoma

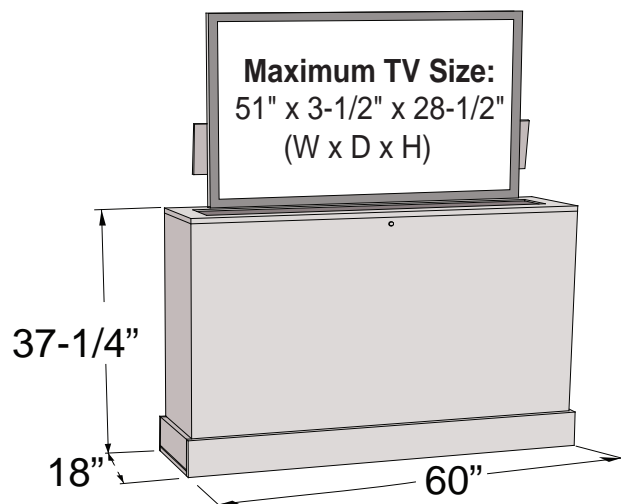
TV Lift Cabinet

Cabinet Features:

- Ships fully assembled.
- Crafted in the USA by our Amish craftsmen
- Constructed using American Maple.
- Two hidden flip down panel in the base allow you to conveniently store and conceal your electronics.
- Pre-installed IR (Infrared) and emitters allow you to control your concealed equipment without having line of sight.
- Finished identically on all 4 sides
- Interior cord-slots to organize and hide AV cables.

Lift Features:

- Fully assembled and pre-installed.
- 1 year in home parts and labor warranty.
- Radio Frequency Remote.
- Thermal overload protection.
- Certified Crestron Intergrated Partner.
- AMX Certified Partner.
- Built in safety features.
- Universal TV mounting bracket included.
- Pre-installed heavy-duty lift system
- Smooth and stable travel.
- Nearly silent operation.
- Welded steel construction.
- Thermal overload protection.
- Manual controls included, Patent pending.



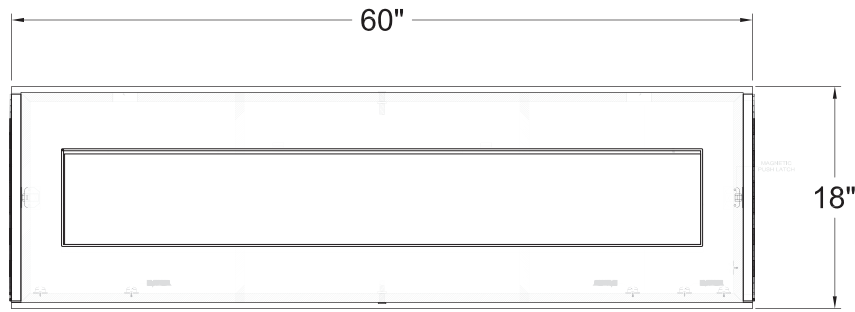
Infrared relay system provides a window from your handheld remotes to your TV and audio components even though they are concealed inside the cabinet. No programming required!



Radio frequency remote for operating TV lift mechanism

Azura Sonoma

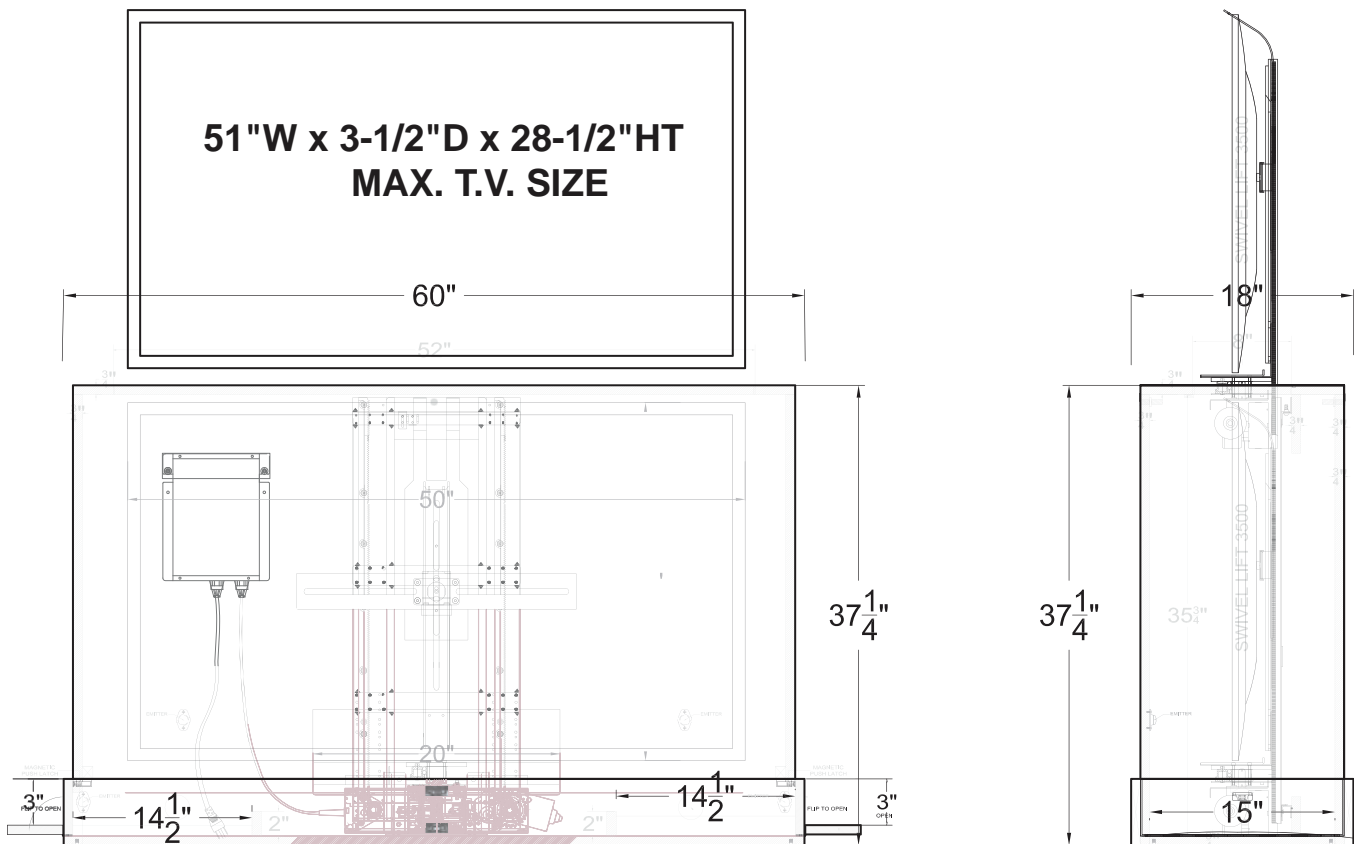
TV Lift Cabinet Dimensional Drawing



TOP VIEW



**51"W x 3-1/2"D x 28-1/2"HT
MAX. T.V. SIZE**



FRONT VIEW

SIDE VIEW

Azura Twilight

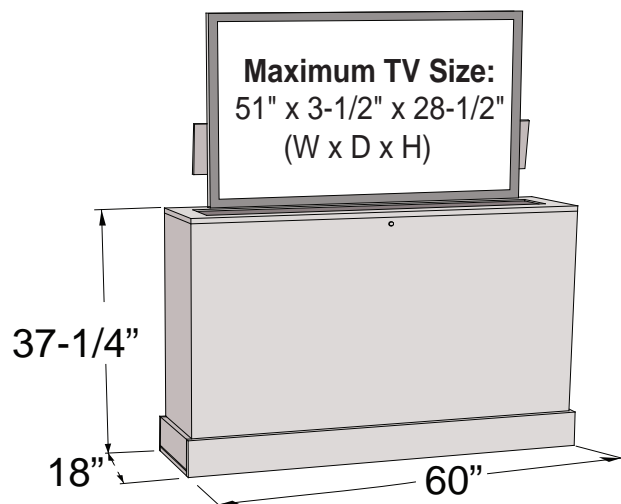
TV Lift Cabinet

Cabinet Features:

- Ships fully assembled.
- Crafted in the USA by our Amish craftsmen
- Constructed using American Maple.
- Two hidden flip down panel in the base allow you to conveniently store and conceal your electronics.
- Pre-installed IR (Infrared) and emitters allow you to control your concealed equipment without having line of sight.
- Finished identically on all 4 sides
- Interior cord-slots to organize and hide AV cables.

Lift Features:

- Fully assembled and pre-installed.
- 1 year in home parts and labor warranty.
- Radio Frequency Remote.
- Thermal overload protection.
- Certified Crestron Intergrated Partner.
- AMX Certified Partner.
- Built in safety features.
- Universal TV mounting bracket included.
- Pre-installed heavy-duty lift system
- Smooth and stable travel.
- Nearly silent operation.
- Welded steel construction.
- Thermal overload protection.
- Manual controls included, Patent pending.



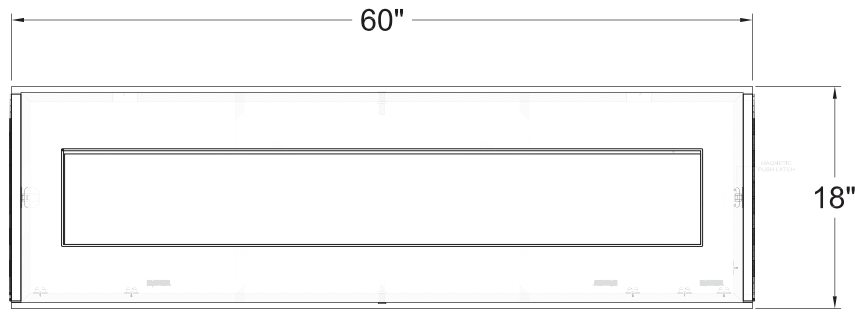
Infrared relay system provides a window from your handheld remotes to your TV and audio components even though they are concealed inside the cabinet. No programming required!



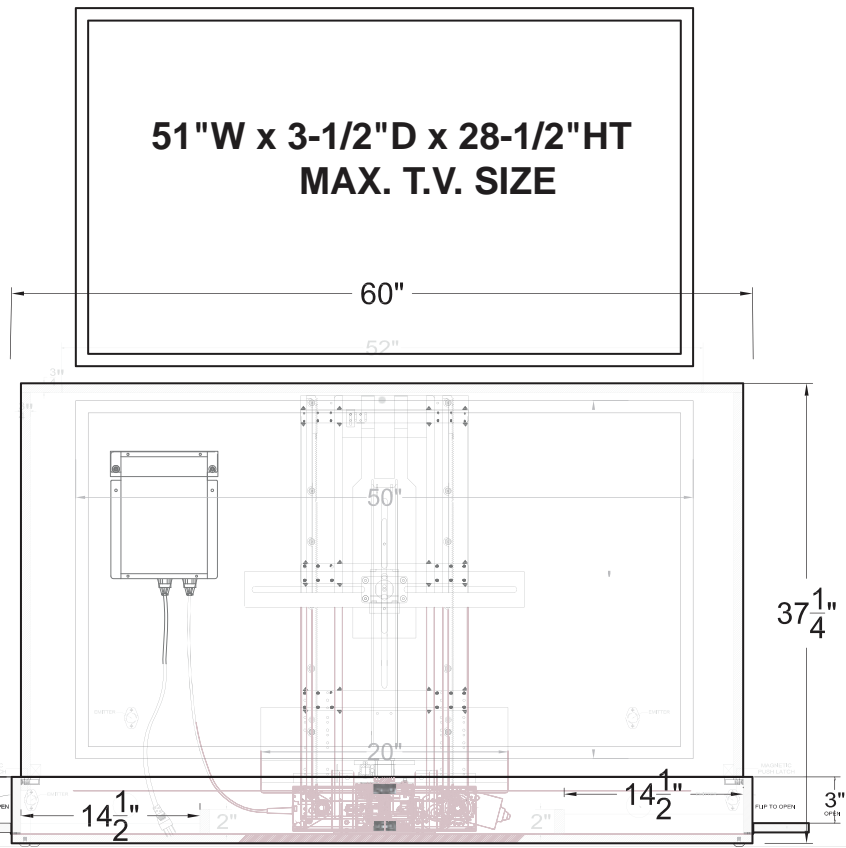
Radio frequency remote for operating TV lift mechanism

Azura Twilight

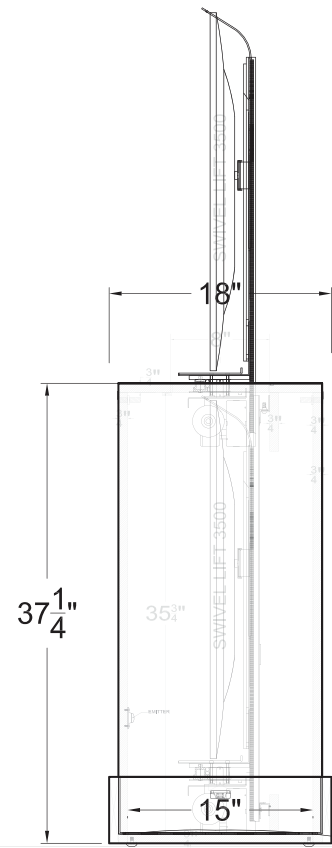
TV Lift Cabinet Dimensional Drawing



TOP VIEW



FRONT VIEW



SIDE VIEW

Azura White

TV Lift Cabinet

Cabinet Features:

- Ships fully assembled.
- Crafted in the USA by our Amish craftsmen
- Constructed using American Maple.
- Two hidden flip down panel in the base allow you to conveniently store and conceal your electronics.
- Pre-installed IR (Infrared) and emitters allow you to control your concealed equipment without having line of sight.
- Finished identically on all 4 sides
- Interior cord-slots to organize and hide AV cables.

Lift Features:

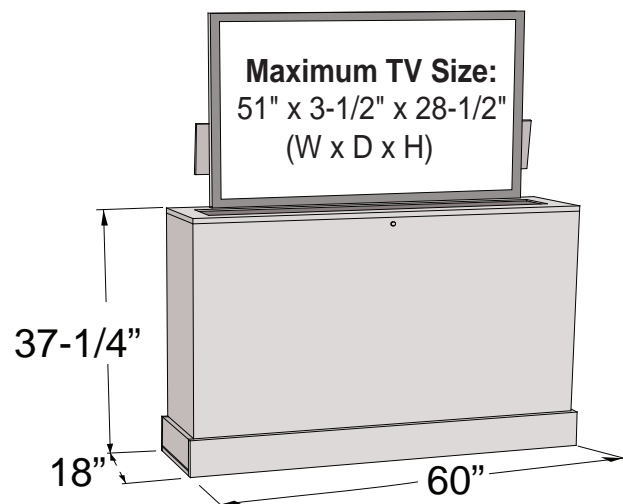
- Fully assembled and pre-installed.
- 1 year in home parts and labor warranty.
- Radio Frequency Remote.
- Thermal overload protection.
- Certified Crestron Intergrated Partner.
- AMX Certified Partner.
- Built in safety features.
- Universal TV mounting bracket included.
- Pre-installed heavy-duty lift system
- Smooth and stable travel.
- Nearly silent operation.
- Welded steel construction.
- Thermal overload protection.
- Manual controls included, Patent pending.



Infrared relay system provides a window from your handheld remotes to your TV and audio components even though they are concealed inside the cabinet. No programming required!

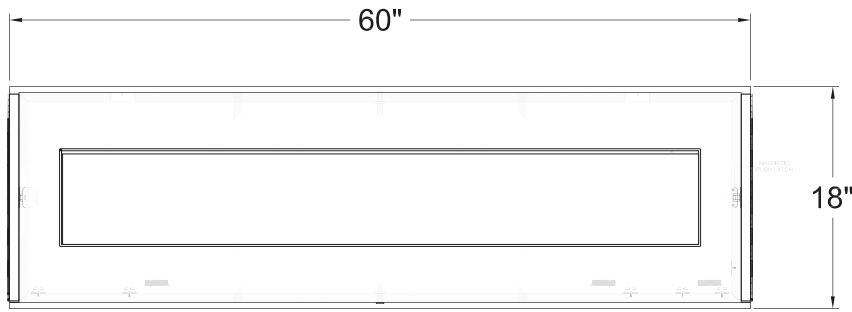


Radio frequency remote for operating TV lift mechanism



Azura White

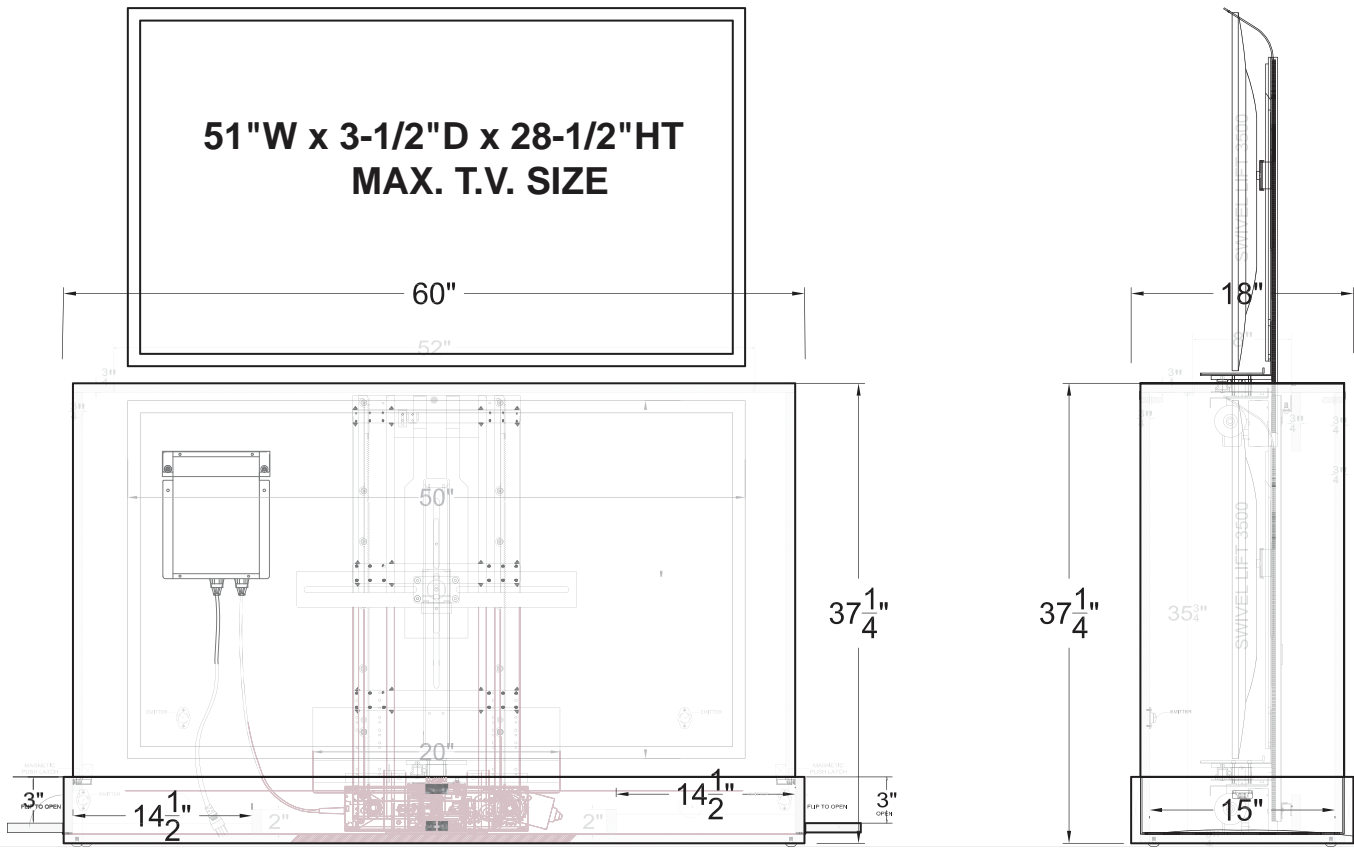
TV Lift Cabinet Dimensional Drawing



TOP VIEW



**51"W x 3-1/2"D x 28-1/2"HT
MAX. T.V. SIZE**



FRONT VIEW

SIDE VIEW

Banyan Creek

TV Lift Cabinet

Cabinet Features:

- Fully assembled.
- Built-in Infrared Relay System.
- Hand selected hardwood solids and Mahogany veneers.
- Center door includes interchangeable wood panel, speaker panel, & glass panel.
- Multi-step stain and scratch resistant finish.
- Adjustable shelves.
- Fully ventilated to allow for generous air circulation

Lift Features:

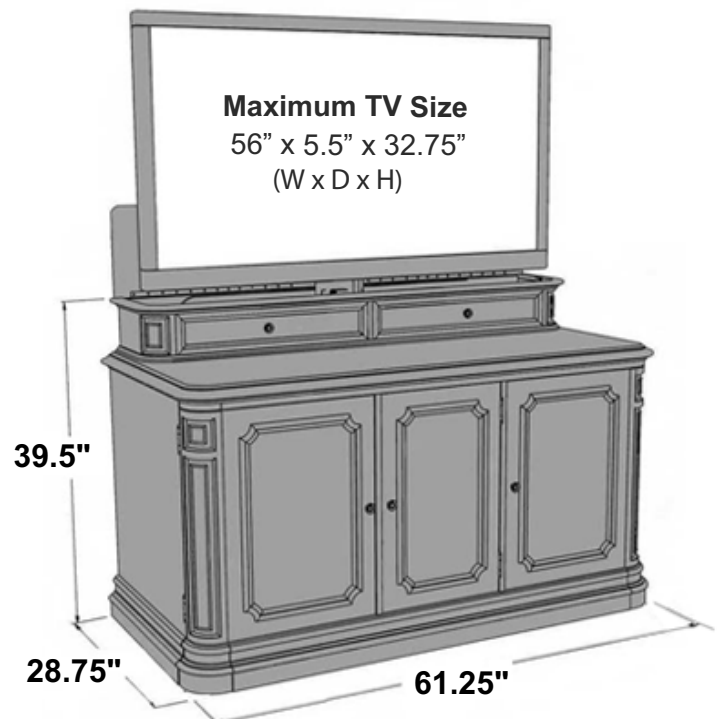
- Fully assembled.
- 1 year in home parts and labor warranty.
- Radio Frequency Remote.
- Universal TV mounting bracket included.
- Auto reversing safety mechanism.
- Heavy-duty rack and pinion drive system.
- Smooth and stable travel.
- Nearly silent operation.
- Welded steel construction.
- Thermal overload protection.
- Built-in wire management.
- Patent Pending.



Glass center panel



Cloth center panel

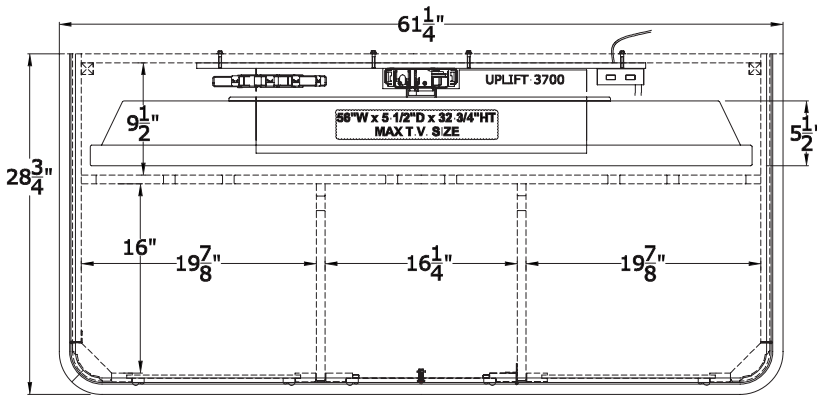


Infrared relay system provides a window from your handheld remotes to your TV and audio components even though they are concealed inside the cabinet. No programming required!

Banyan Creek

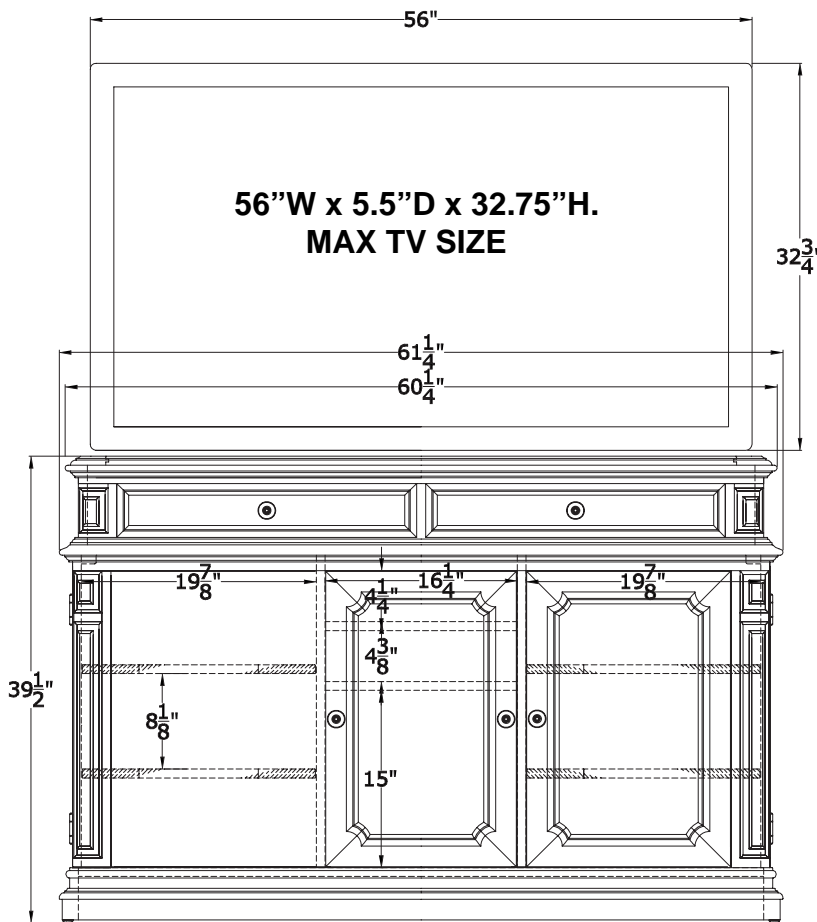
TV Lift Cabinet

Dimension Drawing

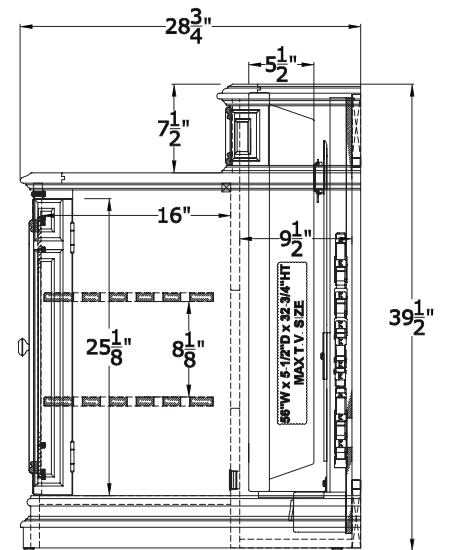


TOP VIEW

**56"W x 5.5"D x 32.75"H.
MAX TV SIZE**



FRONT VIEW



SIDE VIEW (SECTION)

Banyan Creek-XL

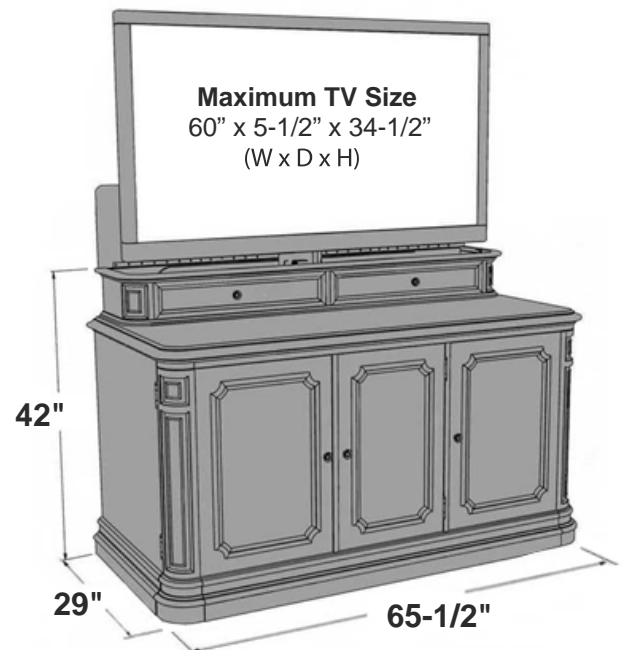
TV Lift Cabinet

Cabinet Features:

- Fully assembled.
- Built-in Infrared Relay System.
- Hand selected hardwood solids and Mahogany veneers.
- All doors incorporate interchangeable wood or speaker cloth panels. (both are included with your purchase).
- Multi-step stain and scratch resistant finish.
- Adjustable shelves.
- Fully ventilated to allow for generous air circulation.

Lift Features:

- Fully assembled.
- 1 year in home parts and labor warranty.
- Radio Frequency Remote.
- Universal TV mounting bracket included.
- Auto reversing safety mechanism.
- Heavy-duty rack and pinion drive system.
- Smooth and stable travel.
- Nearly silent operation.
- Welded steel construction.
- Thermal overload protection.
- Built-in wire management.
- Patent Pending.

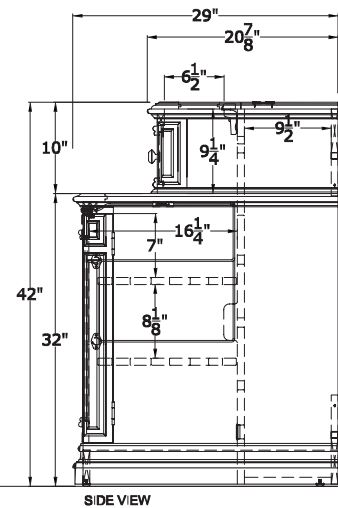
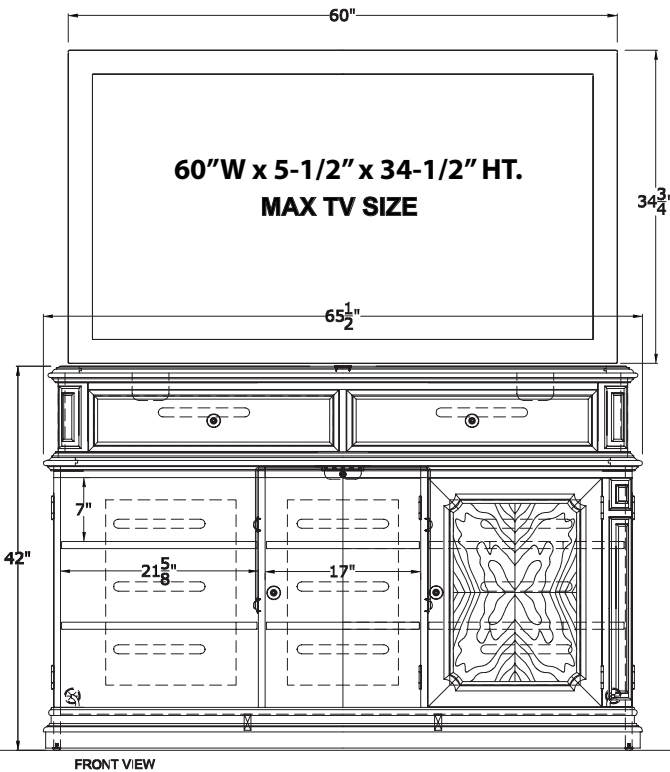
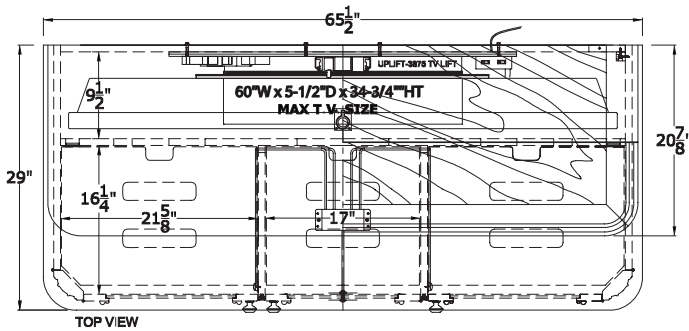
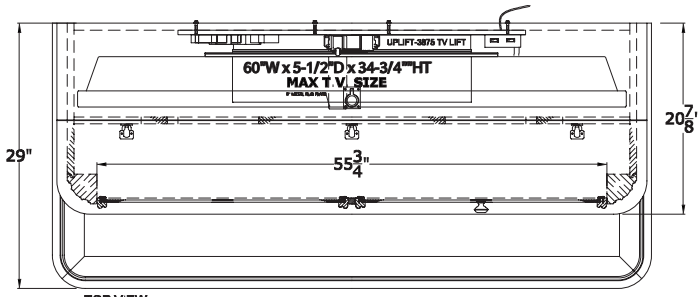


Infrared relay system provides a window from your handheld remotes to your TV and audio components even though they are concealed inside the cabinet. No programming required!

Banyan Creek-XL

TV Lift Cabinet

Dimension Drawing



Belle Rich Brown

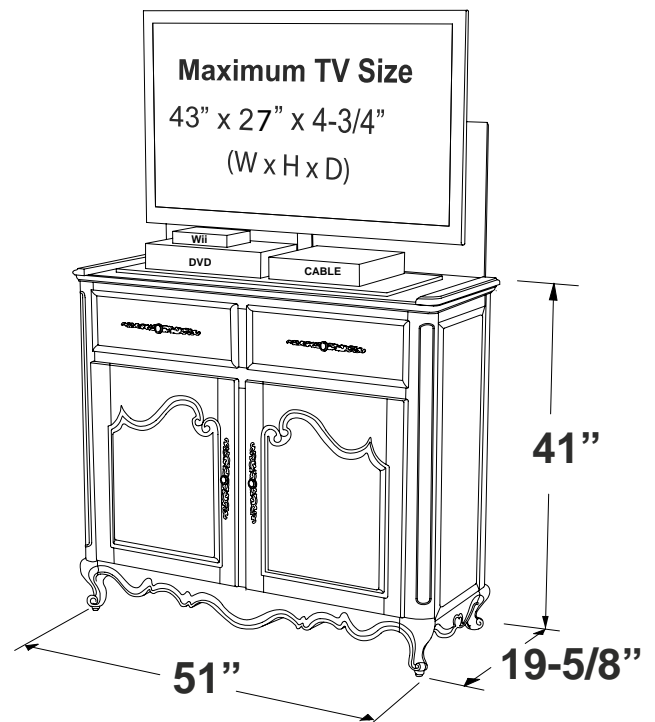
TV Lift Cabinet

Cabinet Features:

- Handmade and hand carved.
- Finished on all 4 sides.
- Identical look front and back.
- Houses most 46" TV's on the factory preinstalled TV Lift.
- Two pieces of electronics ride up and down with the TV.
- The finish is hand applied by our artisans over several days allowing each cabinet to have its own unique character. Each cabinet is a true one of a kind.
- Wire management holes are pre-cut at the factory in the floor of the cabinet allowing for easy wiring.

Lift Features:

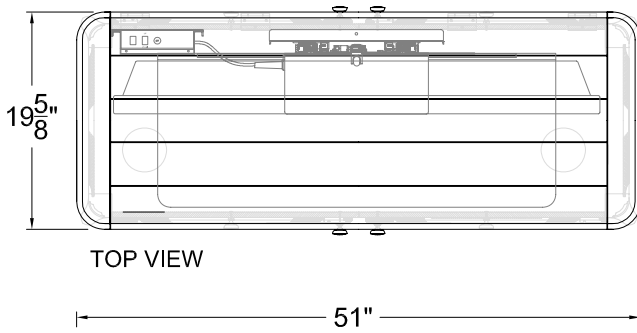
- Fully assembled & pre-installed.
- Large component tray rides up and down with the TV affording space 2-3 pieces of electronics.
- 1 year in home parts and labor warranty.
- Universal TV mounting bracket & TV mounting hardware included.
- Heavy-duty rack and pinion drive system.
- Smooth and stable travel.
- Nearly silent operation.
- Built-in wire management.
- Patent Pending.



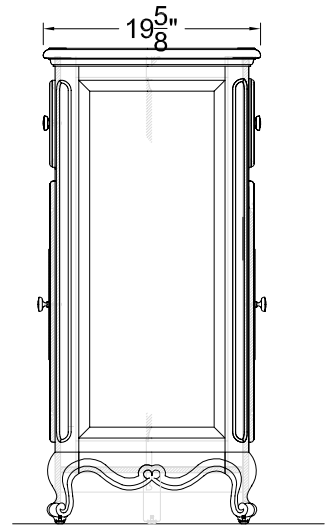
Belle Rich Brown

TV Lift Cabinet

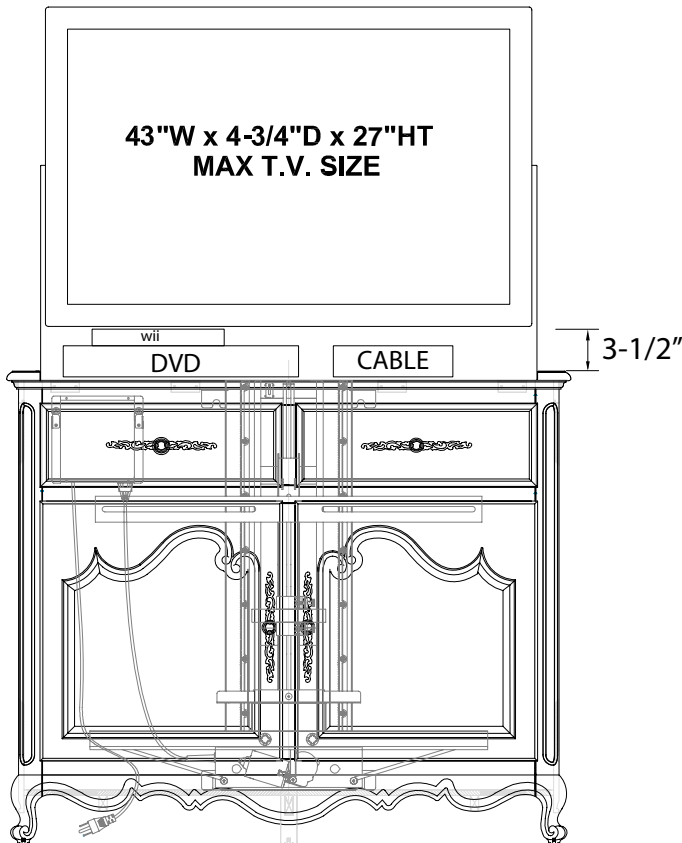
Dimension Drawing



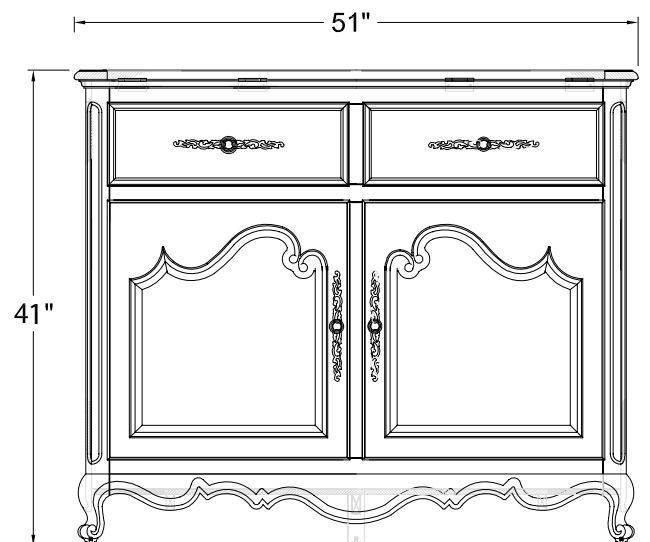
TOP VIEW



SIDE VIEW



FRONT VIEW



REAR VIEW

Belle Weathered Black

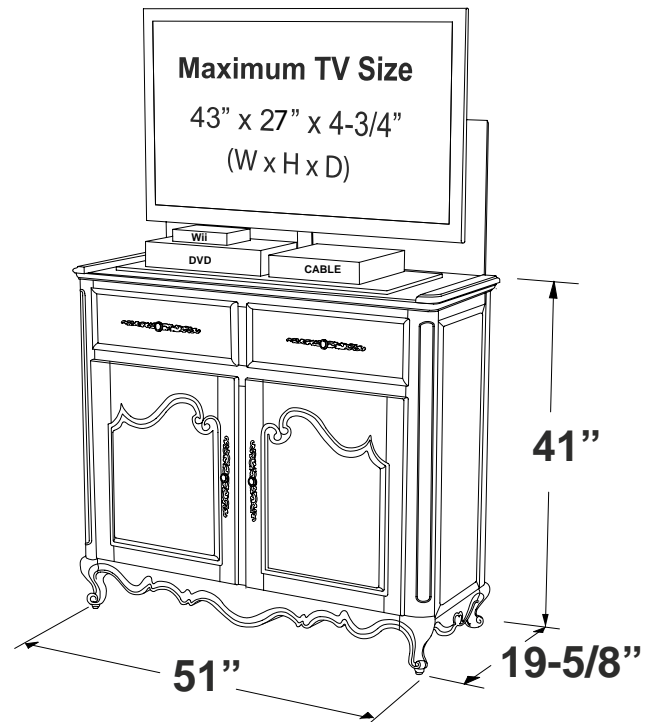
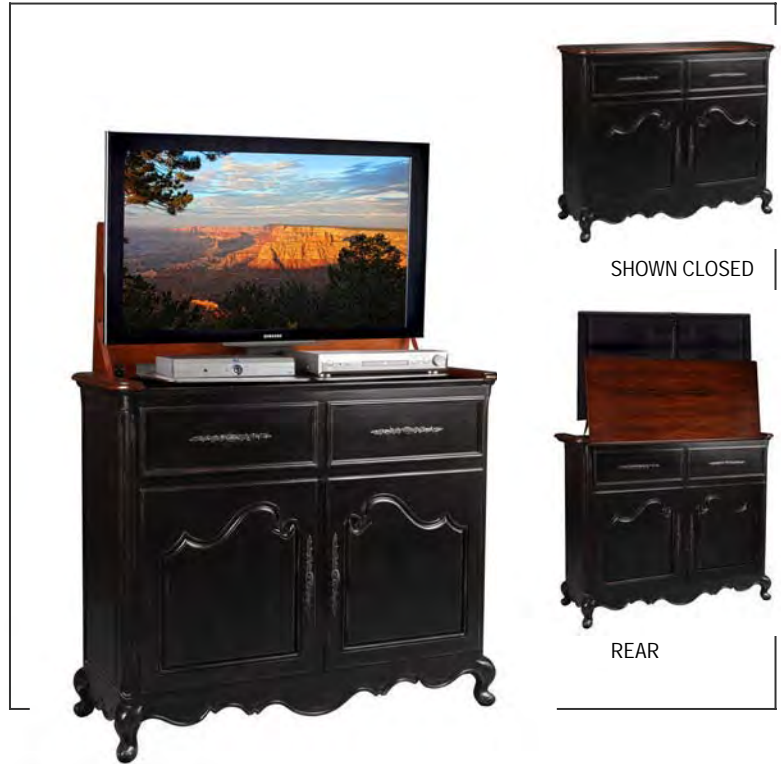
TV Lift Cabinet

Cabinet Features:

- Handmade and hand carved.
- Finished on all 4 sides.
- Identical look front and back.
- Houses most 46" TV's on the factory preinstalled TV Lift.
- Two pieces of electronics ride up and down with the TV.
- The finish is hand applied by our artisans over several days allowing each cabinet to have its own unique character. Each cabinet is a true one of a kind.
- Wire management holes are pre-cut at the factory in the floor of the cabinet allowing for easy wiring.

Lift Features:

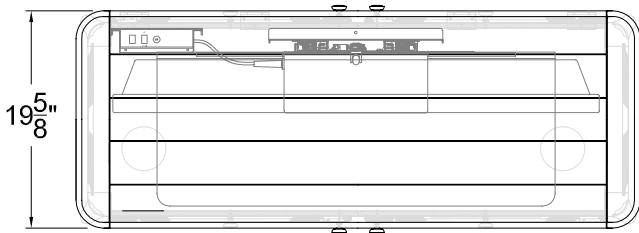
- Fully assembled & pre-installed.
- Large component tray rides up and down with the TV affording space 2-3 pieces of electronics.
- 1 year in home parts and labor warranty.
- Universal TV mounting bracket & TV mounting hardware included.
- Heavy-duty rack and pinion drive system.
- Smooth and stable travel.
- Nearly silent operation.
- Built-in wire management.
- Patent Pending.



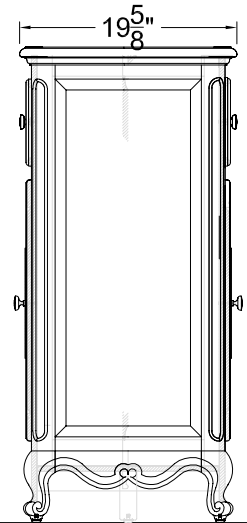
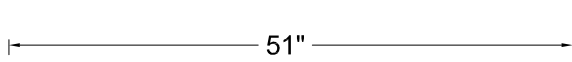
Belle Weathered Black

TV Lift Cabinet

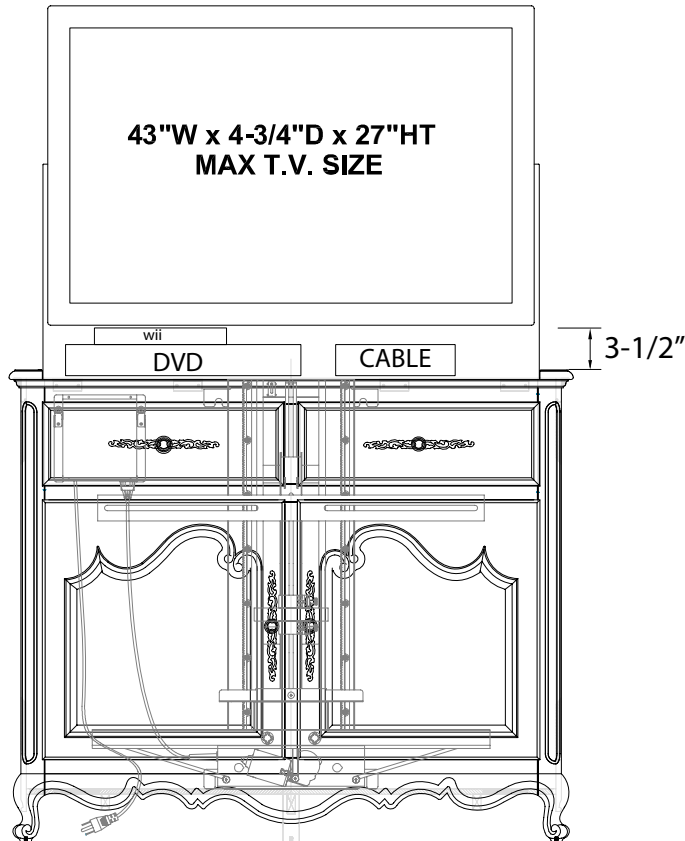
Dimension Drawing



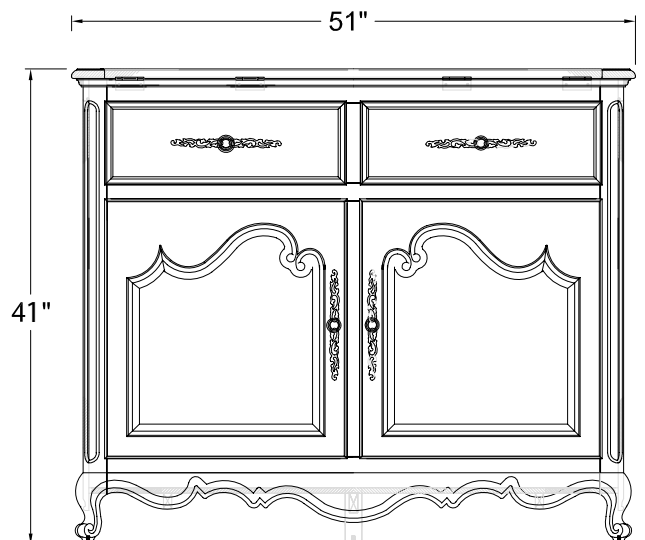
TOP VIEW



SIDE VIEW



FRONT VIEW



REAR VIEW

Belle Weathered Blue

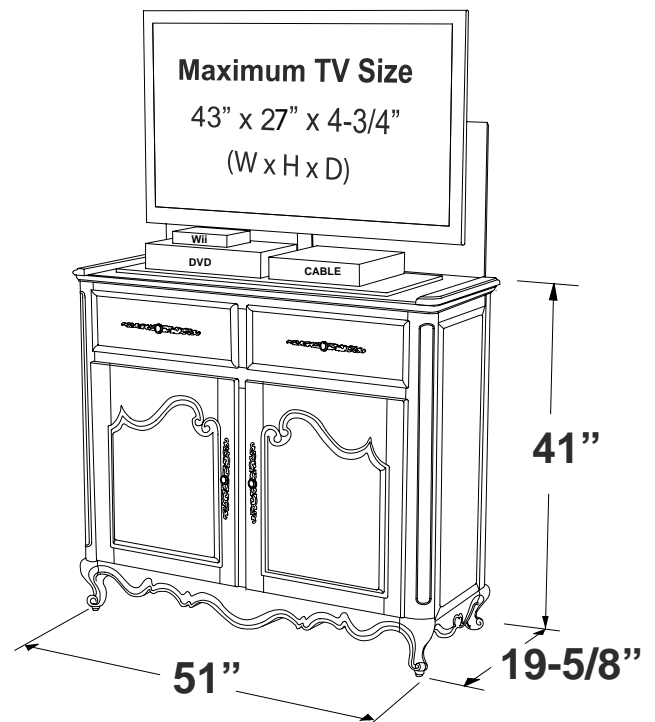
TV Lift Cabinet

Cabinet Features:

- Handmade and hand carved.
- Finished on all 4 sides.
- Identical look front and back.
- Houses most 46" TV's on the factory preinstalled TV Lift.
- Two pieces of electronics ride up and down with the TV.
- The finish is hand applied by our artisans over several days allowing each cabinet to have its own unique character. Each cabinet is a true one of a kind.
- Wire management holes are pre-cut at the factory in the floor of the cabinet allowing for easy wiring.

Lift Features:

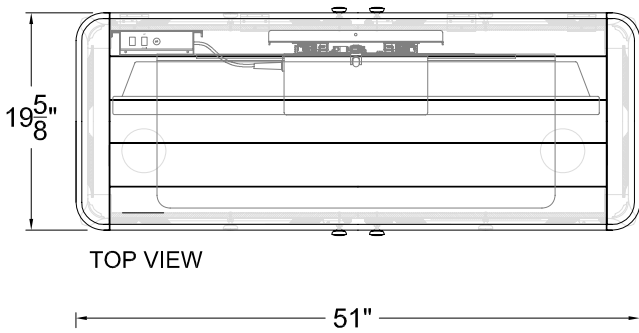
- Fully assembled & pre-installed.
- Large component tray rides up and down with the TV affording space 2-3 pieces of electronics.
- 1 year in home parts and labor warranty.
- Universal TV mounting bracket & TV mounting hardware included.
- Heavy-duty rack and pinion drive system.
- Smooth and stable travel.
- Nearly silent operation.
- Built-in wire management.
- Patent Pending.



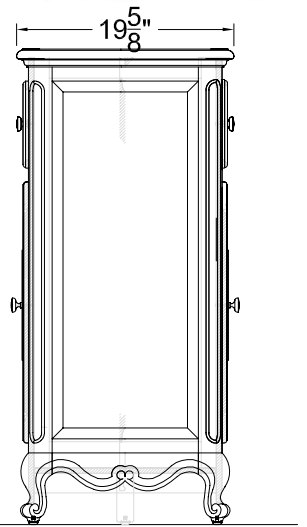
Belle Weathered Blue

TV Lift Cabinet

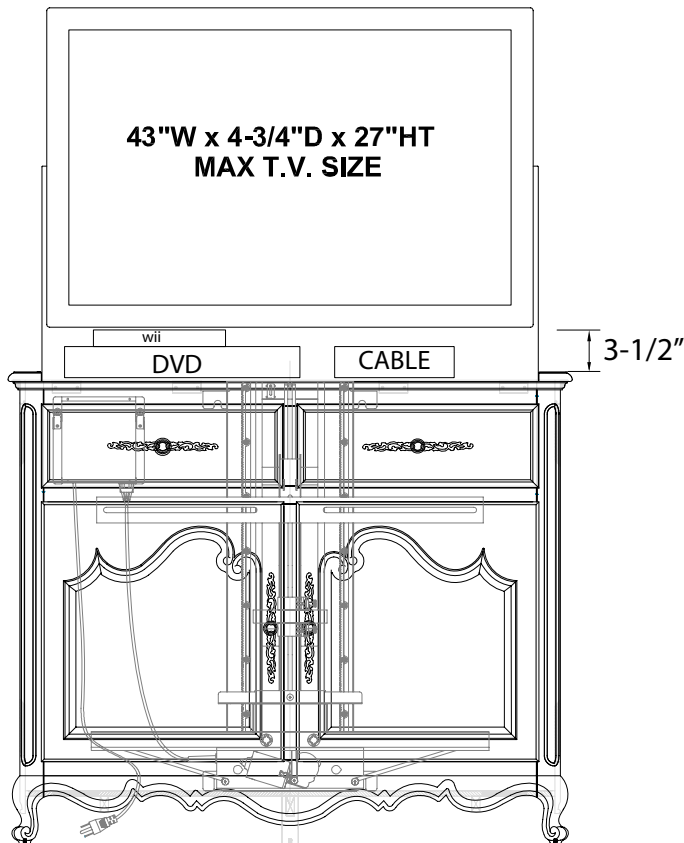
Dimension Drawing



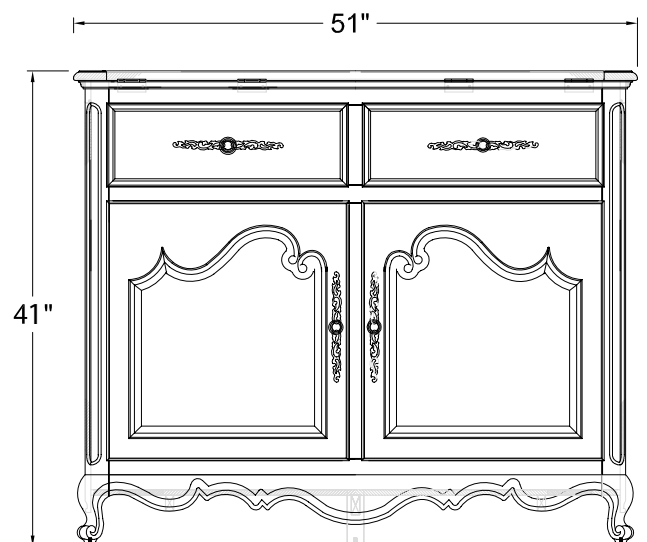
TOP VIEW



SIDE VIEW



FRONT VIEW



REAR VIEW

Belle Weathered Grey

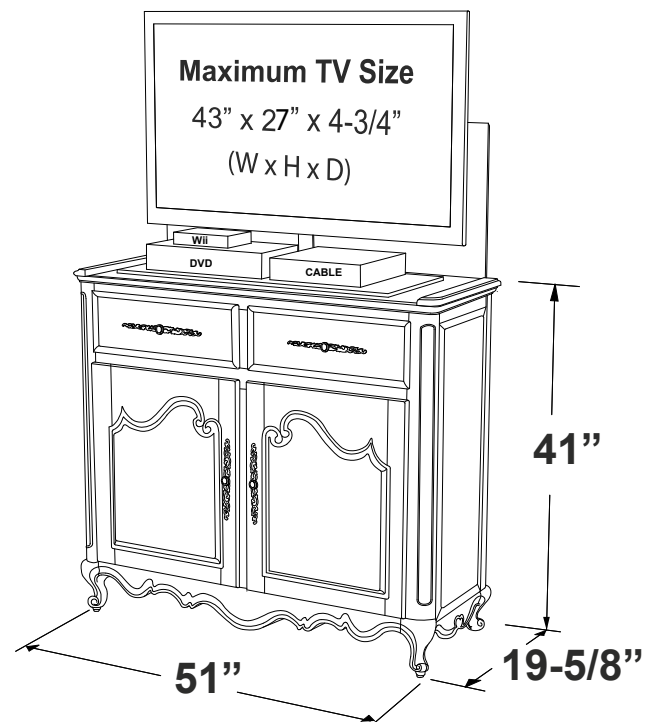
TV Lift Cabinet

Cabinet Features:

- Handmade and hand carved.
- Finished on all 4 sides.
- Identical look front and back.
- Houses most 46" TV's on the factory preinstalled TV Lift.
- Two pieces of electronics ride up and down with the TV.
- The finish is hand applied by our artisans over several days allowing each cabinet to have its own unique character. Each cabinet is a true one of a kind.
- Wire management holes are pre-cut at the factory in the floor of the cabinet allowing for easy wiring.

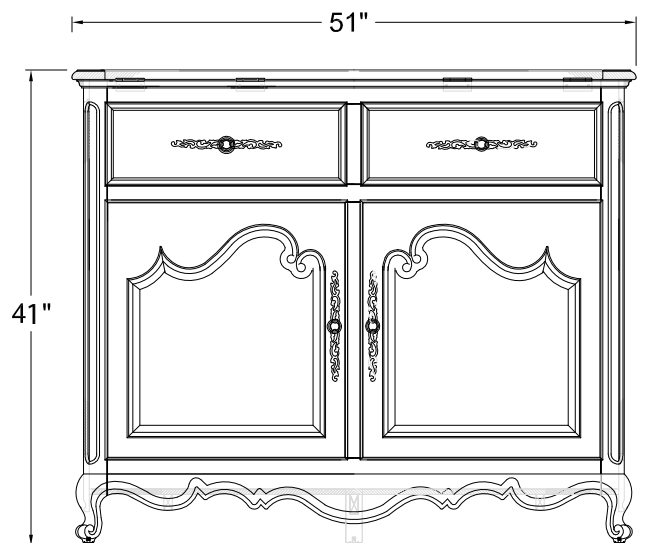
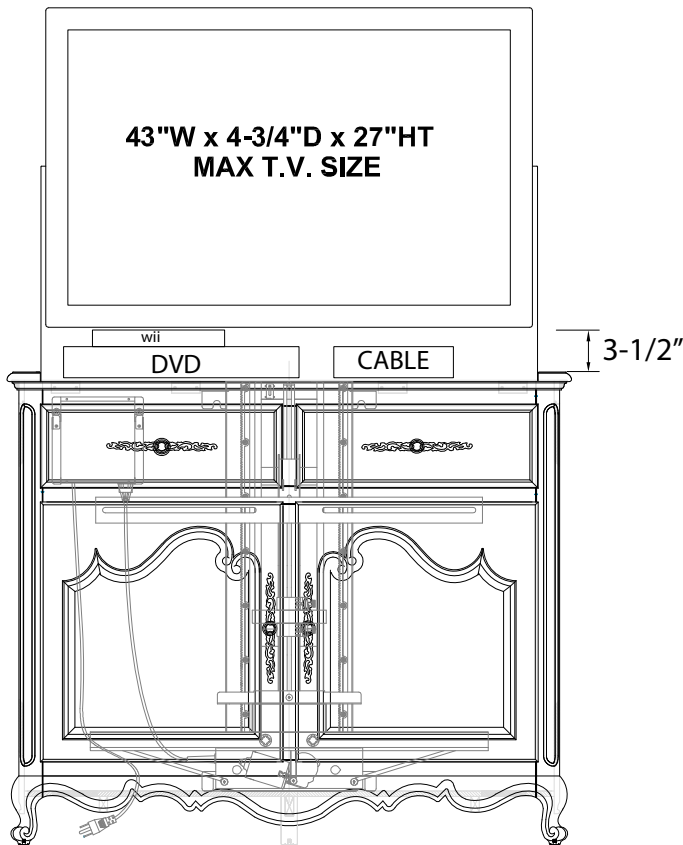
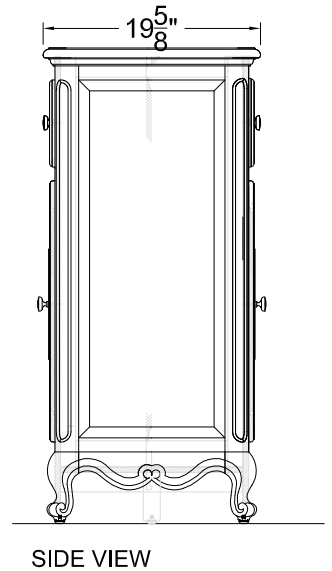
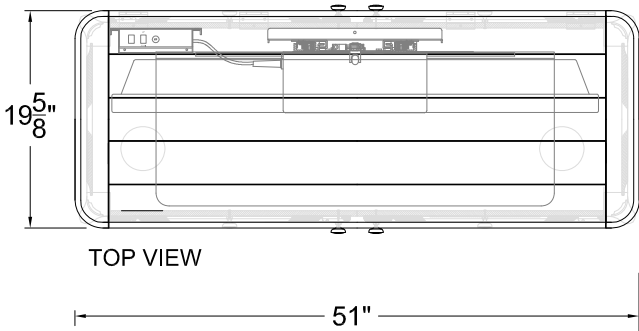
Lift Features:

- Fully assembled & pre-installed.
- Large component tray rides up and down with the TV affording space 2-3 pieces of electronics.
- 1 year in home parts and labor warranty.
- Universal TV mounting bracket & TV mounting hardware included.
- Heavy-duty rack and pinion drive system.
- Smooth and stable travel.
- Nearly silent operation.
- Built-in wire management.
- Patent Pending.



Belle Weathered Grey

TV Lift Cabinet Dimension Drawing



Belle Weathered White

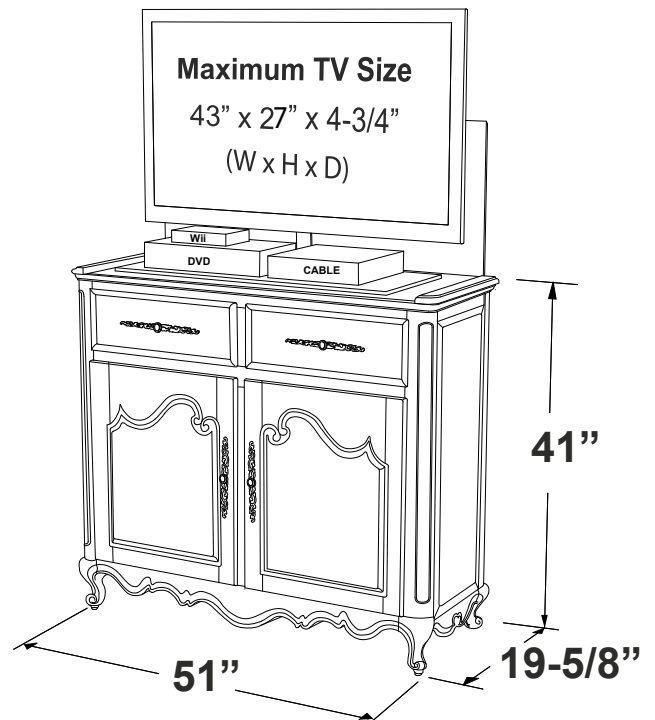
TV Lift Cabinet

Cabinet Features:

- Handmade and hand carved.
- Finished on all 4 sides.
- Identical look front and back.
- Houses most 46" TV's on the factory preinstalled TV Lift.
- Two pieces of electronics ride up and down with the TV.
- The finish is hand applied by our artisans over several days allowing each cabinet to have its own unique character. Each cabinet is a true one of a kind.
- Wire management holes are pre-cut at the factory in the floor of the cabinet allowing for easy wiring.

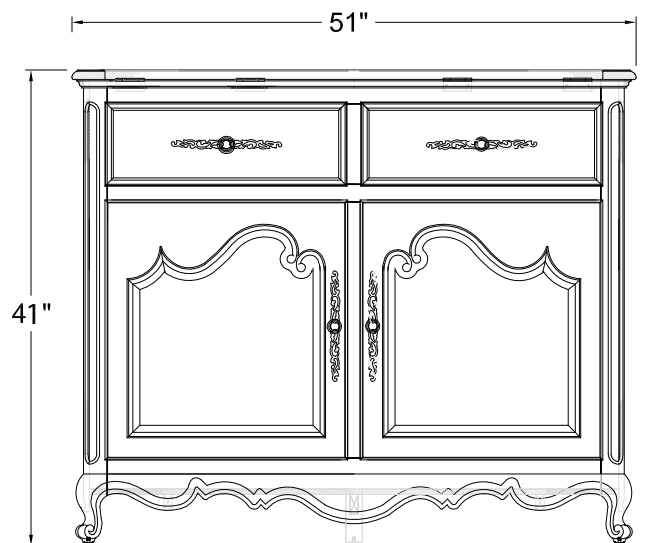
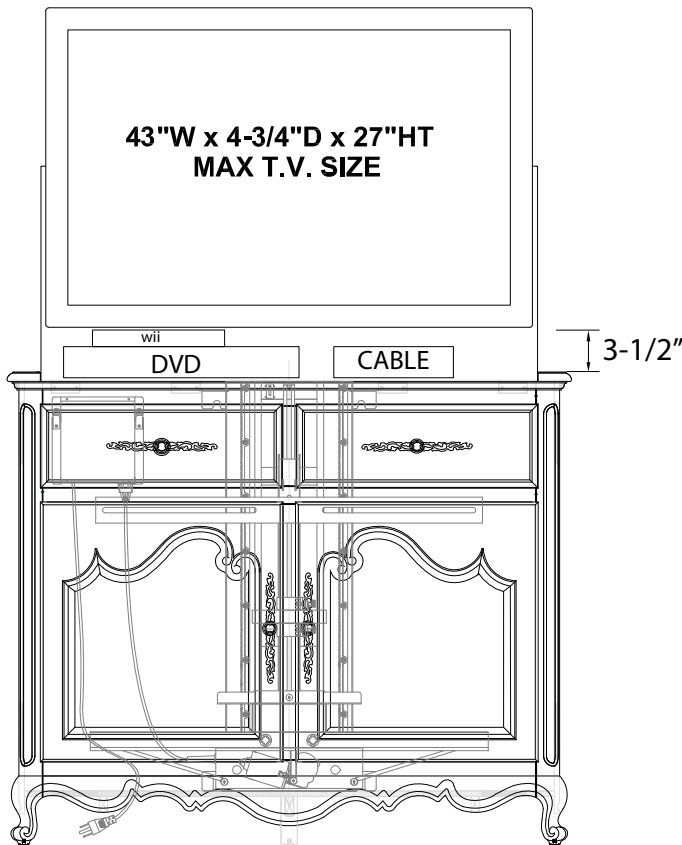
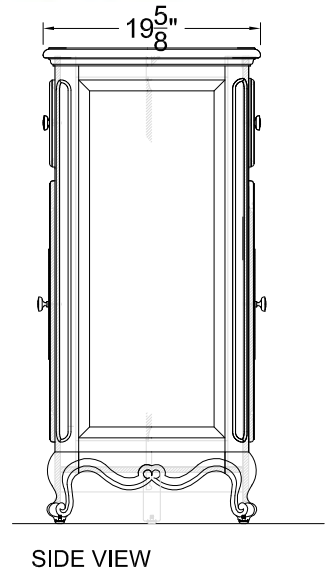
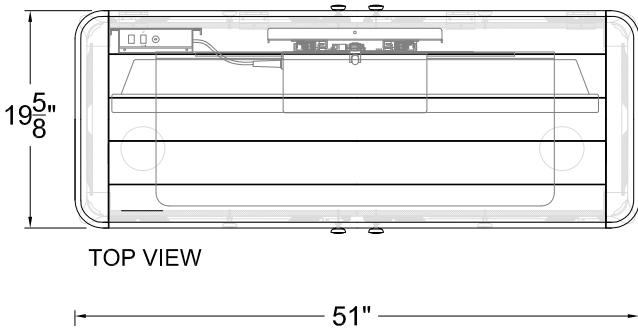
Lift Features:

- Fully assembled & pre-installed.
- Large component tray rides up and down with the TV affording space 2-3 pieces of electronics.
- 1 year in home parts and labor warranty.
- Universal TV mounting bracket & TV mounting hardware included.
- Heavy-duty rack and pinion drive system.
- Smooth and stable travel.
- Nearly silent operation.
- Built-in wire management.
- Patent Pending.



Belle Weathered White

TV Lift Cabinet Dimension Drawing



Bermuda Run

TV Lift Cabinet

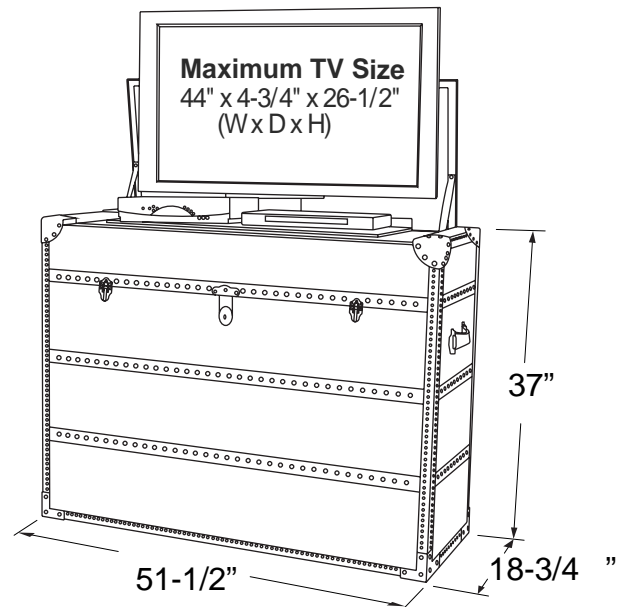
Cabinet Features:

- Finished on all four sides so it may be used at the foot of the bed against the wall or free standing.
- Covered with yards of hand-cut and applied leather which is finished with individual hand hammered antique nail heads.
- Made with solidwood and plywood core.
- Fully assembled.
- Full 1 year in-home warranty.
- Max. TV Size: 44" x 4-3/4" x 26-1/2"
- Max. Loading Weight: 80 pounds (most 46" TV's weigh 40 pounds)
- Max. Lift Equipment Depth: 13-1/4" + 2" for wire management.
- Lift: Rack and pinion – UL Recognized
- Two pieces of electronics ride up and down with the TV keeping them concealed when not in use.



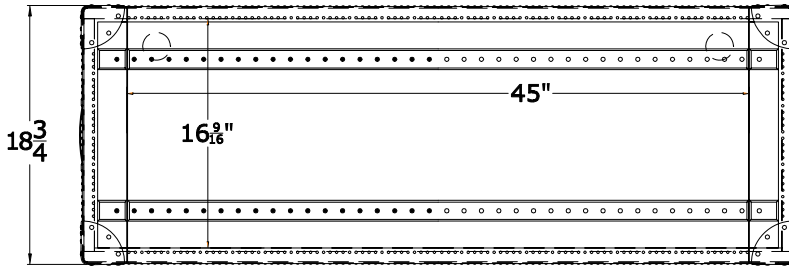
Lift Features:

- Fully assembled & pre-installed
- 1 year in home parts and labor warranty.
- Radio Frequency Remote.
- Universal TV mounting bracket & TV mounting hardware included.
- Heavy-duty rack and pinion drive system.
- Smooth and stable travel.
- Nearly silent operation.
- Welded steel construction.
- Built-in wire management.
- Patent Pending.

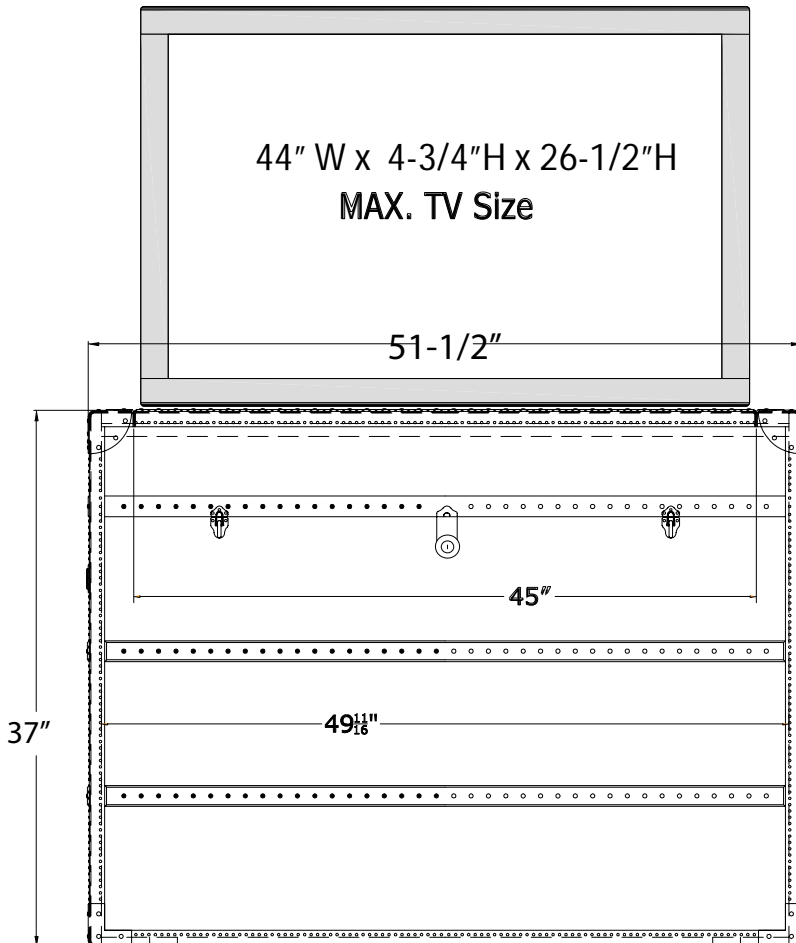


Bermuda Run

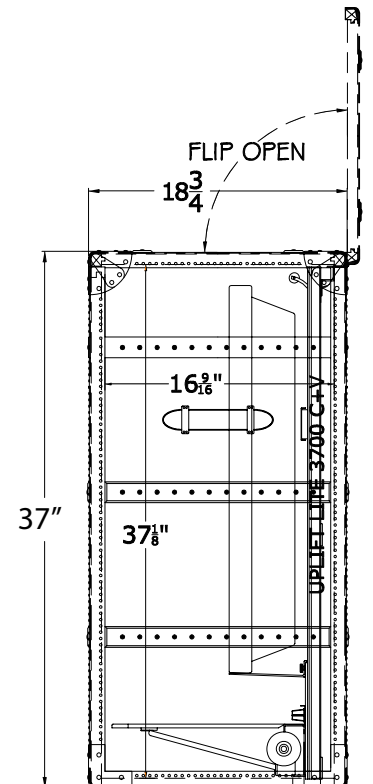
TV Lift Cabinet Dimension Drawing



TOP VIEW



FRONT VIEW



SIDE VIEW

Carlton

TV Lift Cabinet

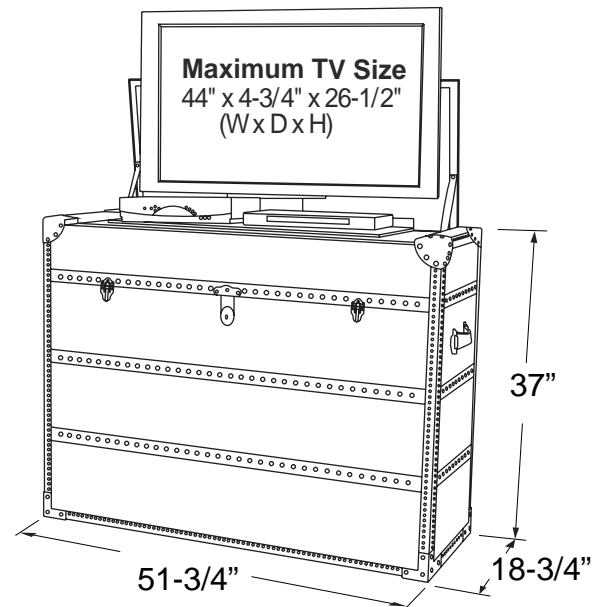
Cabinet Features:

- Finished on all four sides so it may be used at the foot of the bed against the wall or free standing.
- Covered with yards of hand-cut and applied leather which is finished with individual hand hammered antique nail heads.
- Made with solidwood and plywood core.
- Fully assembled.
- Full 1 year in-home warranty.
- Max. TV Size: 44" x 4-3/4" x 26-1/2"
- Max. Loading Weight: 80 pounds (most 46" TV's weigh 40 pounds)
- Max. Lift Equipment Depth: 13-1/4" + 2" for wire management.
- Lift: Rack and pinion – UL Recognized
- Two pieces of electronics ride up and down with the TV keeping them concealed when not in use.



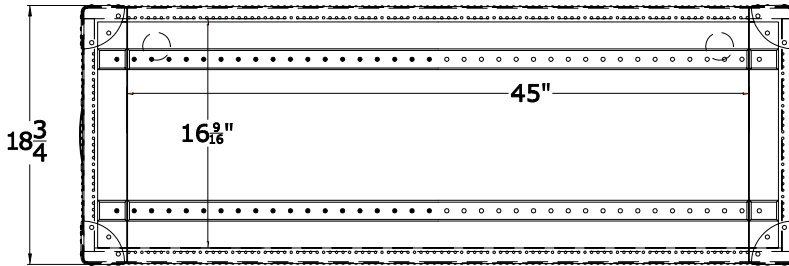
Lift Features:

- Fully assembled & pre-installed
- 1 year in home parts and labor warranty.
- Radio Frequency Remote.
- Universal TV mounting bracket & TV mounting hardware included.
- Heavy-duty rack and pinion drive system.
- Smooth and stable travel.
- Nearly silent operation.
- Welded steel construction.
- Built-in wire management.
- Patent Pending.



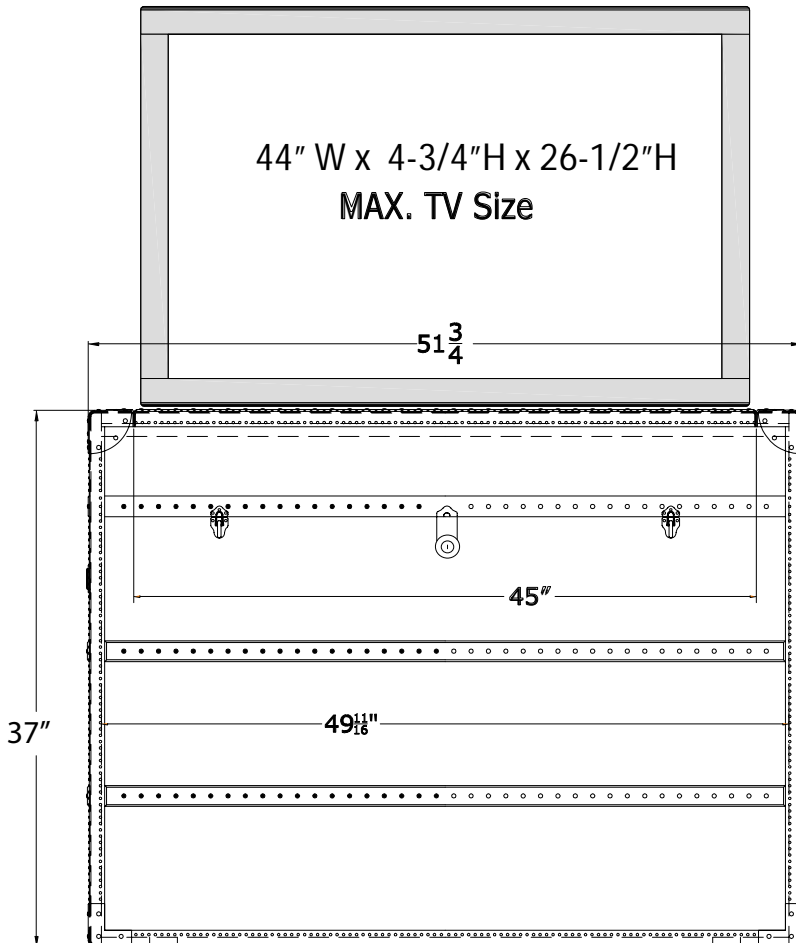
Carlton

TV Lift Cabinet Dimension Drawing

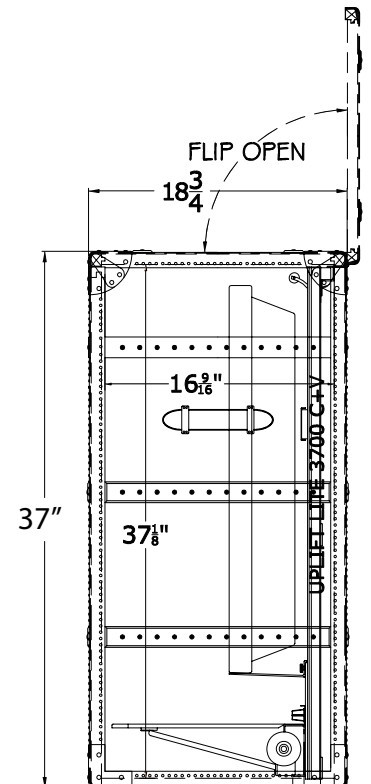


TOP VIEW

44" W x 4-3/4" H x 26-1/2" H
MAX. TV Size



FRONT VIEW



SIDE VIEW

Carousel (Black)

TV Lift Cabinet

- Made in the USA by Amish Craftsmen using solid Maple wood.
- Ships fully set up and ready to use.
- Full 1 year in-home warranty.
- Max. TV Size: 43.5" x 5" x 27"
- Max. Loading Weight: 80 pounds (most 32"- 44" TV's weigh 40 pounds or less)
- Lift Machine: UL Recognized Heavy Duty Rack and pinion.
- Remote and manual controls for simple operation.

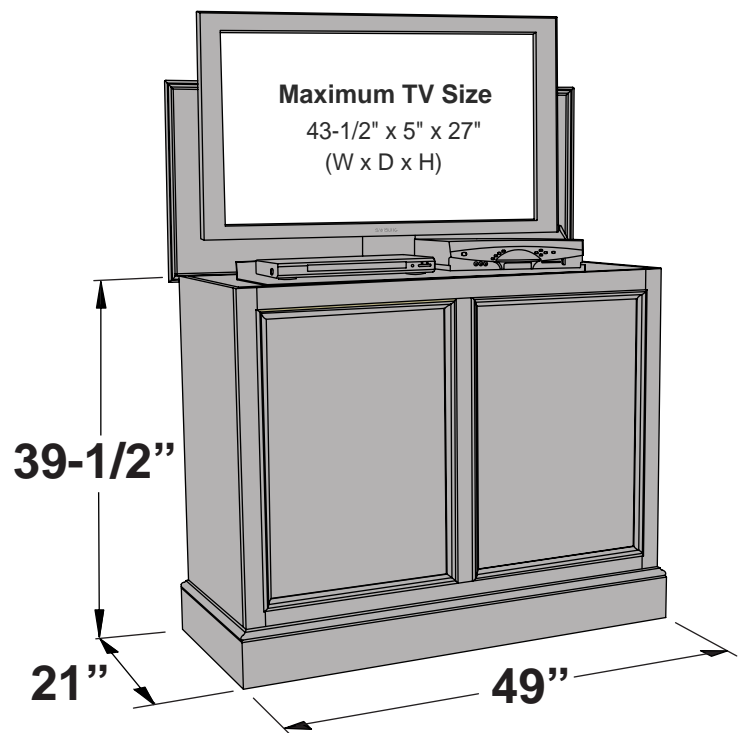


Lift Features:

- Fully assembled & pre-installed.
- 1 year in home parts and labor warranty.
- Radio Frequency Remote.
- Universal TV mounting bracket & TV mounting hardware included.
- Heavy-duty rack and pinion drive system.
- Smooth and stable travel.
- Nearly silent operation.
- Welded steel construction.
- Built-in wire management.
- Patent Pending.

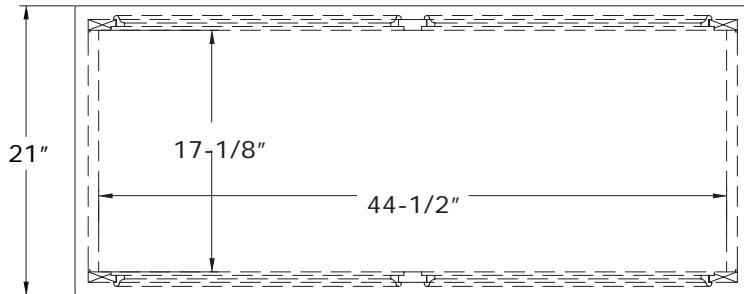


Infrared relay system provides a window from your handheld remotes to your TV and audio components even though they are concealed inside the cabinet. No programming required!

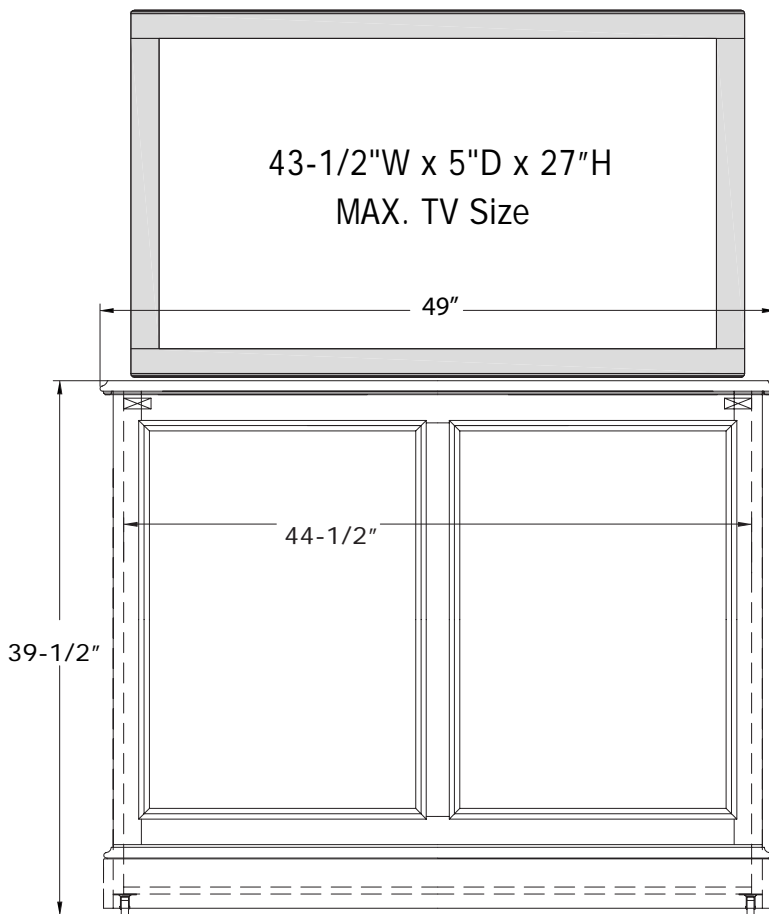


Carousel (Black)

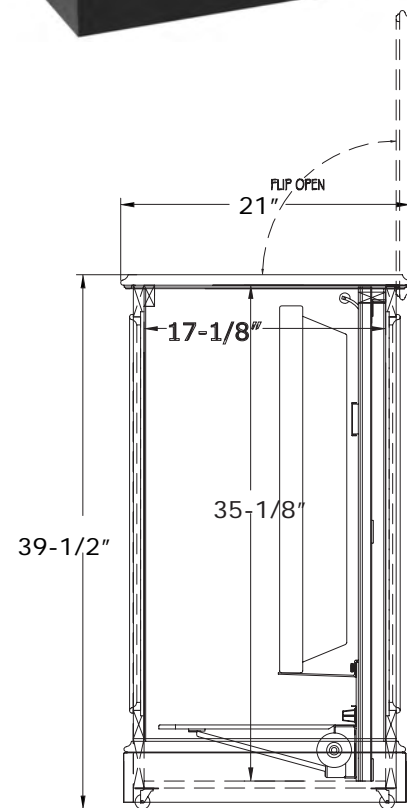
TV Lift Cabinet Dimension Drawing



TOP VIEW



FRONT VIEW



SIDE VIEW

Carousel (Brown)

TV Lift Cabinet

- Made in the USA by Amish Craftsmen using solid Maple wood.
- Ships fully set up and ready to use.
- Full 1 year in-home warranty.
- Max. TV Size: 43.5" x 5" x 27"
- Max. Loading Weight: 80 pounds (most 32"- 44" TV's weigh 40 pounds or less)
- Lift Machine: UL Recognized Heavy Duty Rack and pinion.
- Remote and manual controls for simple operation.

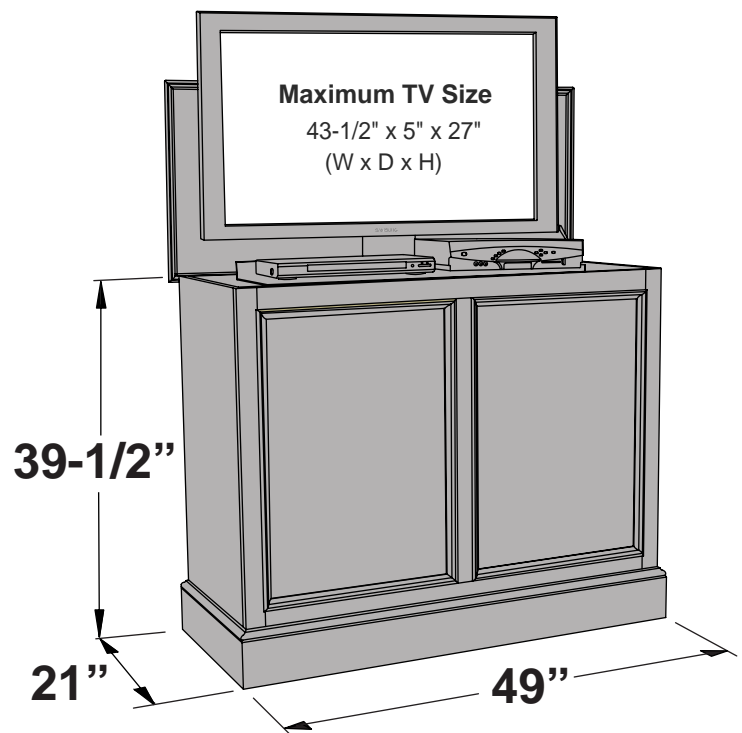


Lift Features:

- Fully assembled & pre-installed.
- 1 year in home parts and labor warranty.
- Radio Frequency Remote.
- Universal TV mounting bracket & TV mounting hardware included.
- Heavy-duty rack and pinion drive system.
- Smooth and stable travel.
- Nearly silent operation.
- Welded steel construction.
- Built-in wire management.
- Patent Pending.

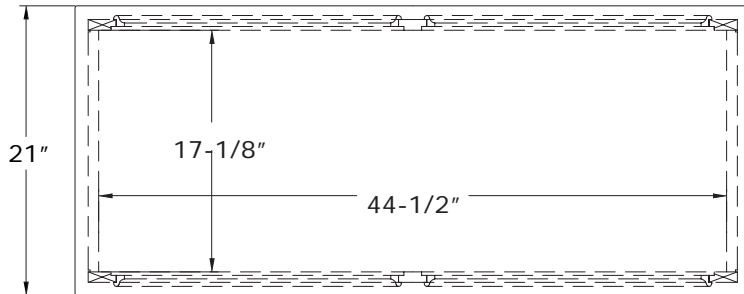


Infrared relay system provides a window from your handheld remotes to your TV and audio components even though they are concealed inside the cabinet. No programming required!

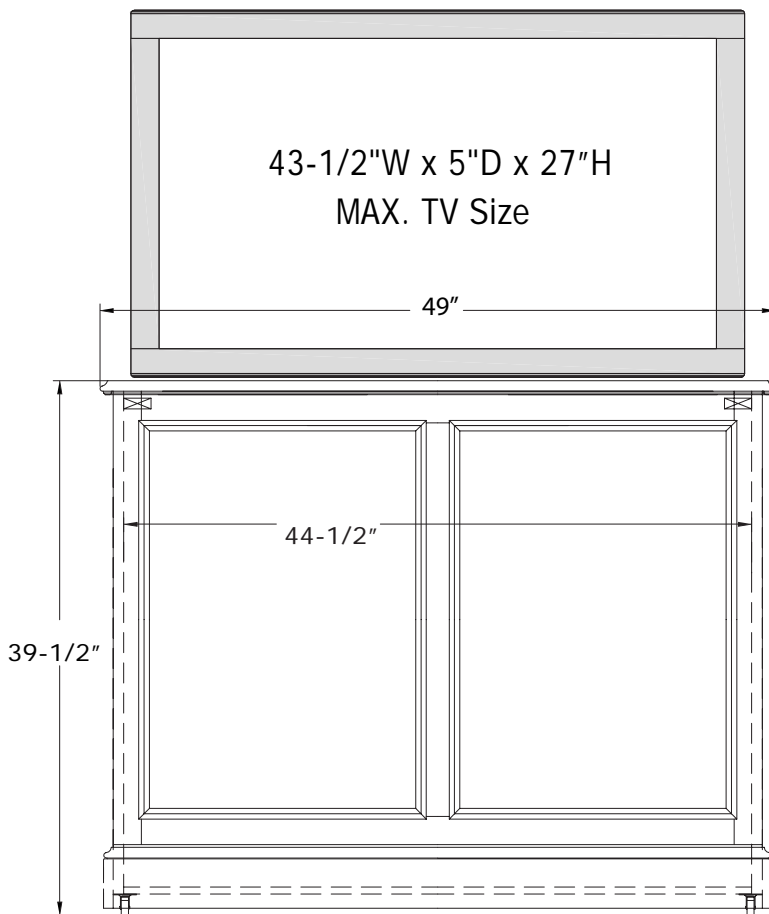


Carousel (Brown)

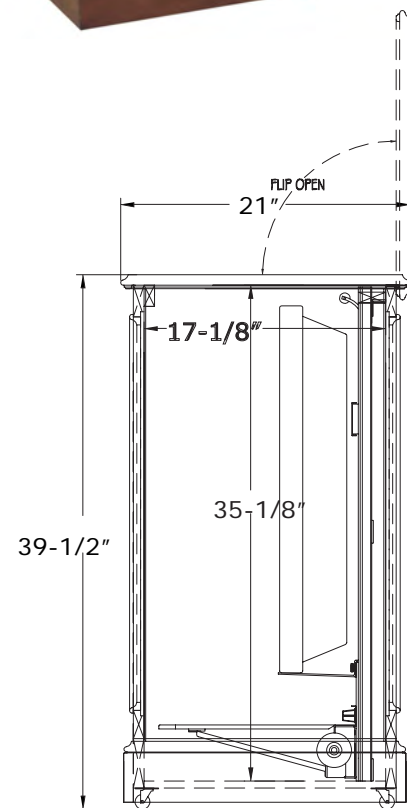
TV Lift Cabinet Dimension Drawing



TOP VIEW



FRONT VIEW



SIDE VIEW

Carousel (Espresso)

TV Lift Cabinet

- Made in the USA by Amish Craftsmen using solid Maple wood.
- Ships fully set up and ready to use.
- Full 1 year in-home warranty.
- Max. TV Size: 43.5" x 5" x 27"
- Max. Loading Weight: 80 pounds (most 32"- 44" TV's weigh 40 pounds or less)
- Lift Machine: UL Recognized Heavy Duty Rack and pinion.
- Remote and manual controls for simple operation.

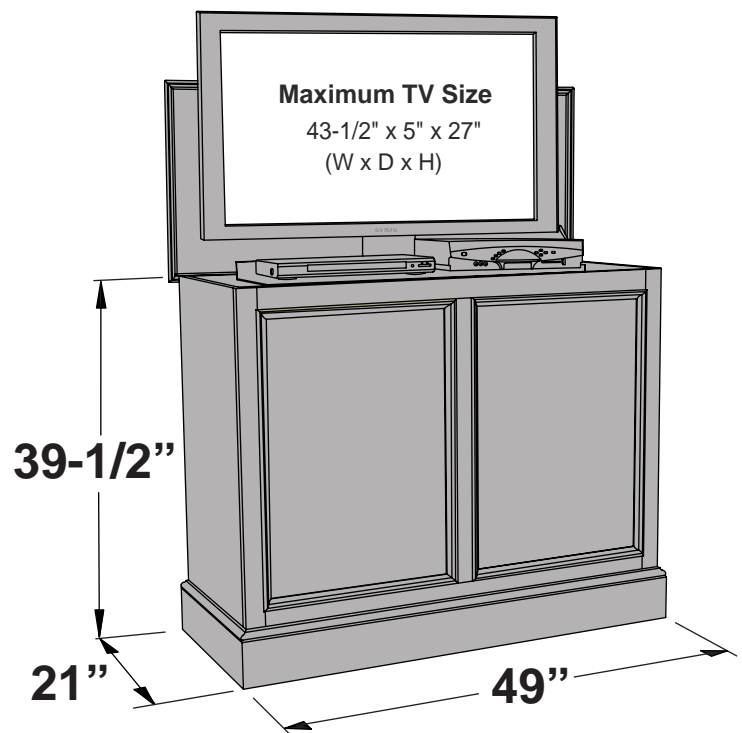


Lift Features:

- Fully assembled & pre-installed.
- 1 year in home parts and labor warranty.
- Radio Frequency Remote.
- Universal TV mounting bracket & TV mounting hardware included.
- Heavy-duty rack and pinion drive system.
- Smooth and stable travel.
- Nearly silent operation.
- Welded steel construction.
- Built-in wire management.
- Patent Pending.

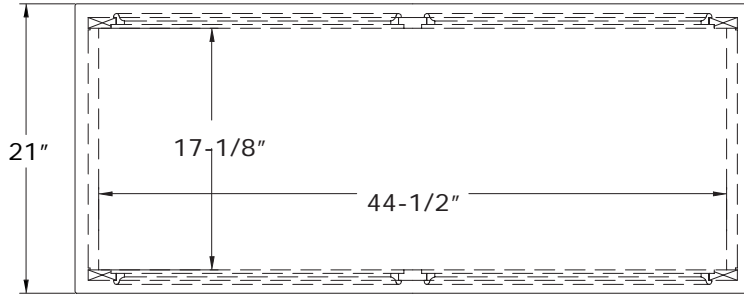


Infrared relay system provides a window from your handheld remotes to your TV and audio components even though they are concealed inside the cabinet. No programming required!

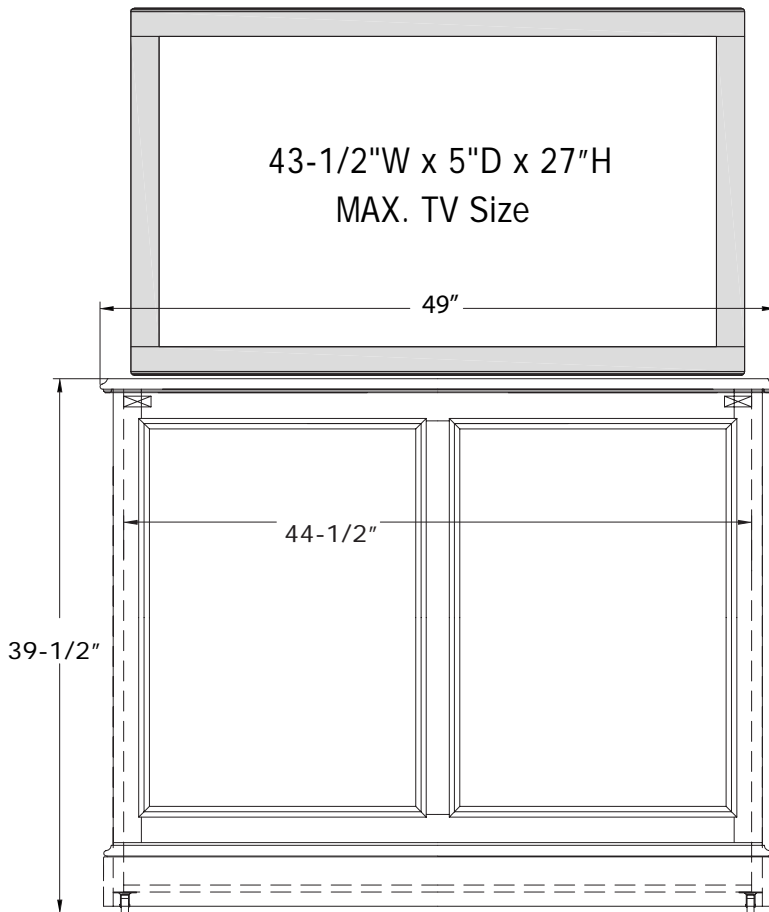


Carousel (Espresso)

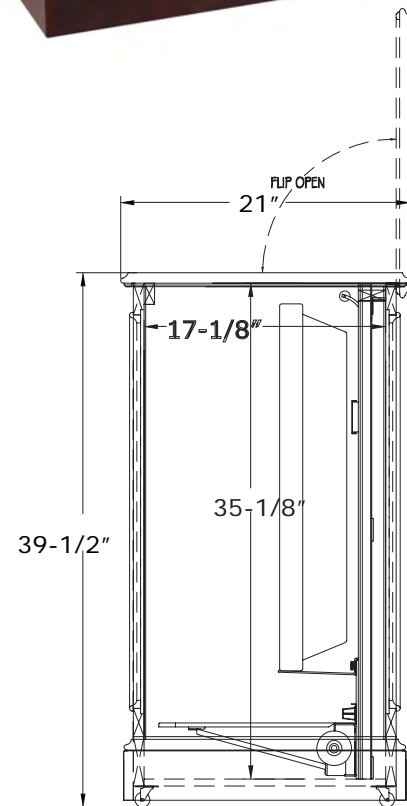
TV Lift Cabinet
Dimension Drawing



TOP VIEW



FRONT VIEW



SIDE VIEW

Carousel (Unfinished)

TV Lift Cabinet

- Made in the USA by Amish Craftsmen using solid Maple wood.
- Ships fully set up and ready to use.
- Full 1 year in-home warranty.
- Max. TV Size: 43.5" x 5" x 27"
- Max. Loading Weight: 80 pounds (most 32"- 44" TV's weigh 40 pounds or less)
- Lift Machine: UL Recognized Heavy Duty Rack and pinion.
- Remote and manual controls for simple operation.

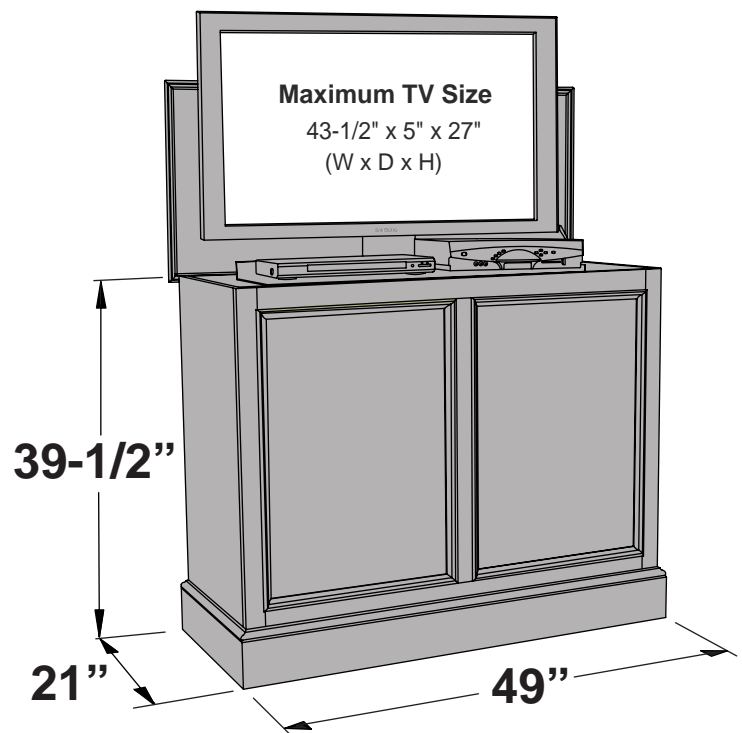


Lift Features:

- Fully assembled & pre-installed.
- 1 year in home parts and labor warranty.
- Radio Frequency Remote.
- Universal TV mounting bracket & TV mounting hardware included.
- Heavy-duty rack and pinion drive system.
- Smooth and stable travel.
- Nearly silent operation.
- Welded steel construction.
- Built-in wire management.
- Patent Pending.

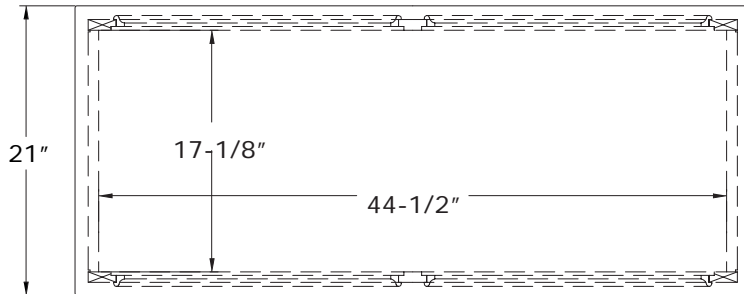


Infrared relay system provides a window from your handheld remotes to your TV and audio components even though they are concealed inside the cabinet. No programming required!

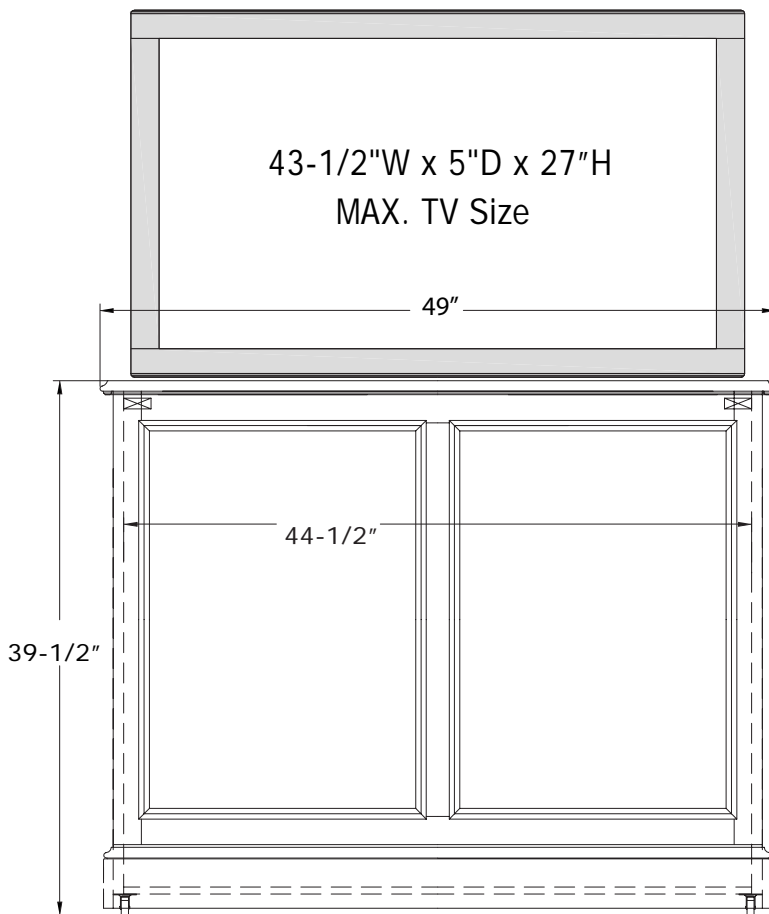


Carousel (Unfinished)

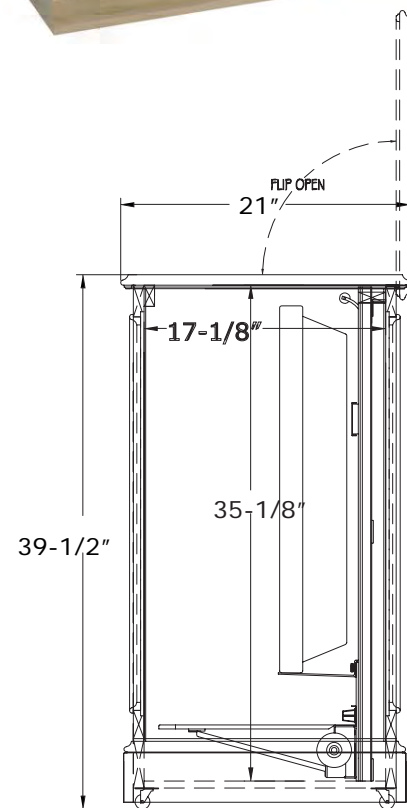
TV Lift Cabinet Dimension Drawing



TOP VIEW



FRONT VIEW



SIDE VIEW

Carousel (White)

TV Lift Cabinet

- Made in the USA by Amish Craftsmen using solid Maple wood.
- Ships fully set up and ready to use.
- Full 1 year in-home warranty.
- Max. TV Size: 43.5" x 5" x 27"
- Max. Loading Weight: 80 pounds (most 32"- 44" TV's weigh 40 pounds or less)
- Lift Machine: UL Recognized Heavy Duty Rack and pinion.
- Remote and manual controls for simple operation.

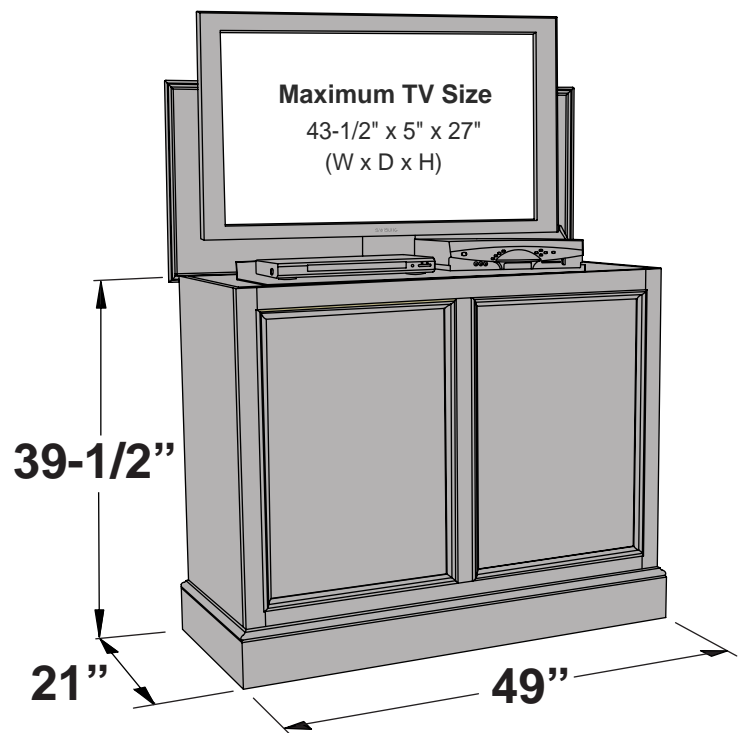


Lift Features:

- Fully assembled & pre-installed.
- 1 year in home parts and labor warranty.
- Radio Frequency Remote.
- Universal TV mounting bracket & TV mounting hardware included.
- Heavy-duty rack and pinion drive system.
- Smooth and stable travel.
- Nearly silent operation.
- Welded steel construction.
- Built-in wire management.
- Patent Pending.

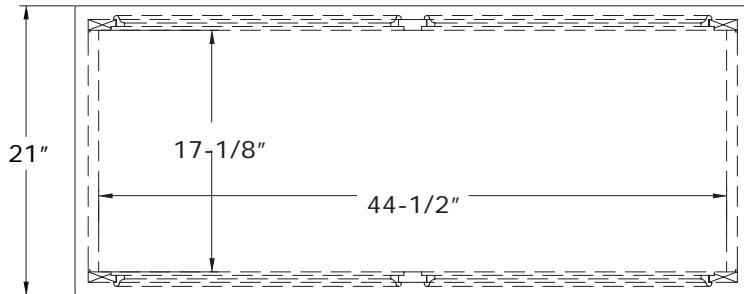


Infrared relay system provides a window from your handheld remotes to your TV and audio components even though they are concealed inside the cabinet. No programming required!

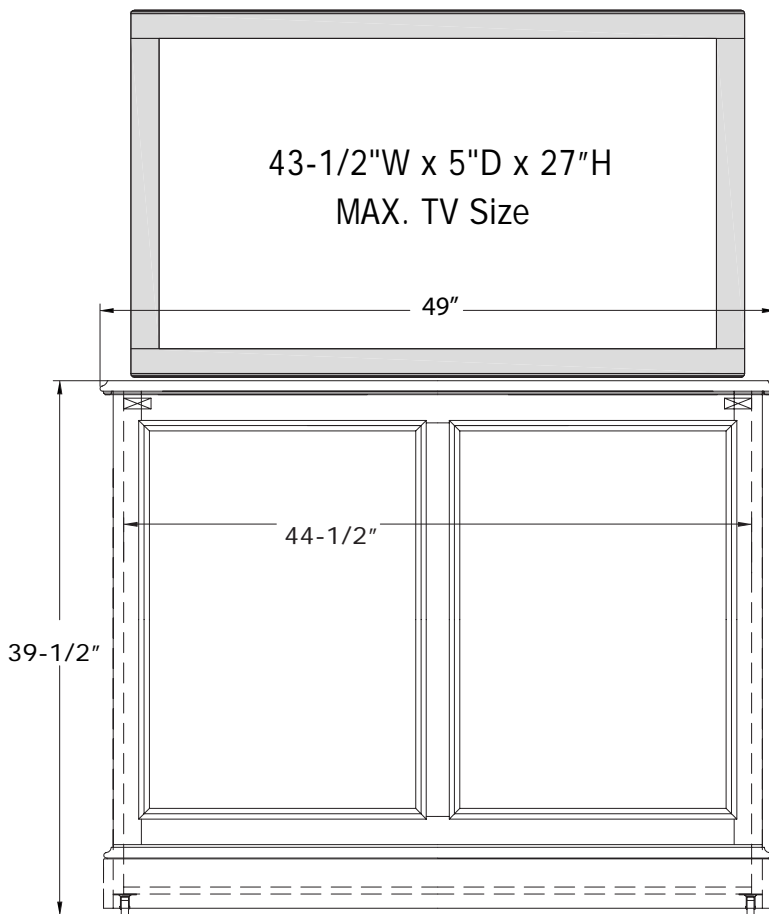


Carousel (White)

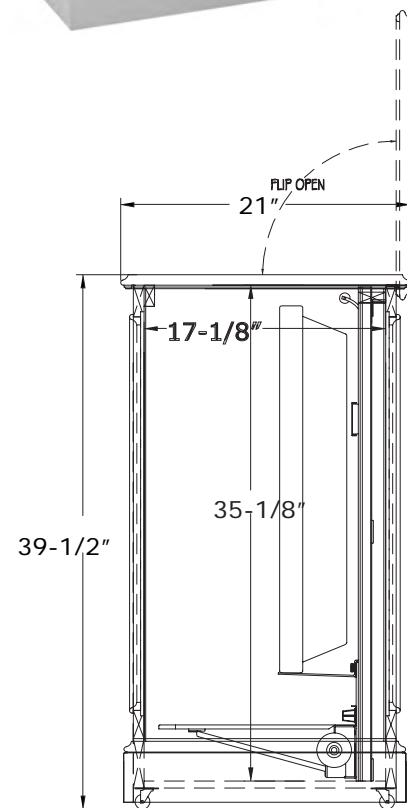
TV Lift Cabinet Dimension Drawing



TOP VIEW



FRONT VIEW



SIDE VIEW

Chatham Black

TV Lift Cabinet

Cabinet Features:

- Made in the USA.
- Houses TV's 36-55".
- Maximum TV size of 49" x 4" x 28-5/16".
- Two 18-3/4" x 15-1/4" x 3-3/4" openings at the bottom of the cabinet are revealed after opening the hidden panel.
- Solid Maple wood.
- Built-in infrared system.
- Wire management slots are cut into floor of the cabinet allowing wires to exit.
- Constructed with leveling floor glides for uneven surfaces.
- Finish and framed on all 4 sides allowing it to be used against the wall, free standing, or at the foot-of-the bed.
- Multi-step stain and scratch resistant finish.
- Fully ventilated to allow for generous air circulation.



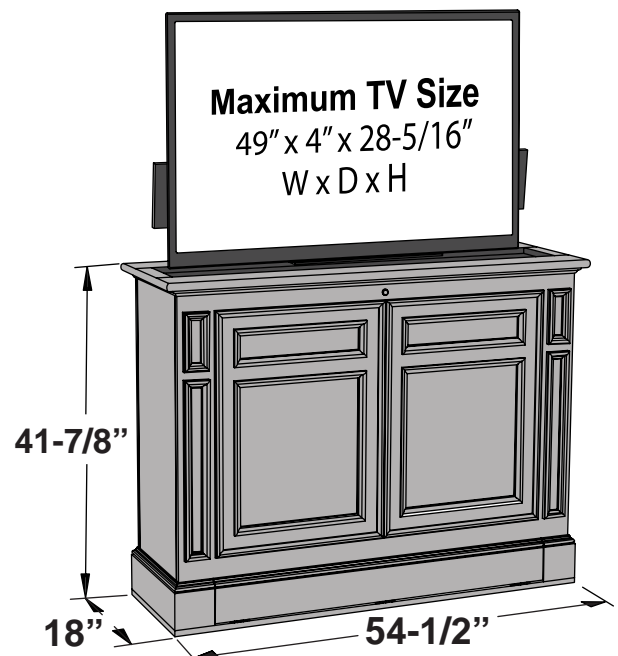
Lift Features:

- Fully assembled & pre-installed.
- 1 year in home parts and labor warranty.
- Radio Frequency Remote.
- Certified Creston Integrated Partner.
- Built in RJ45 Port.
- Built in safety features.
- Universal TV mounting bracket & TV mounting hardware included.
- Pre-installed Heavy-duty rack and pinion drive system.
- Smooth and stable travel.
- Nearly silent operation.
- Welded steel construction.
- Thermal overload protection.
- Manual controls included.
- Patent Pending.

- **Radio frequency remote**
For operating TV lift mechanism.



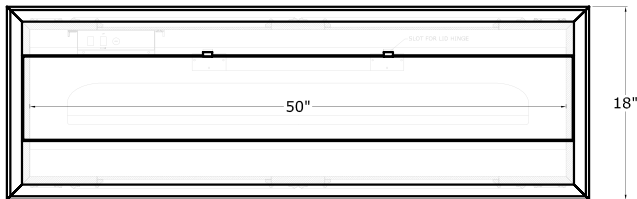
- **Infrared relay system**
Provides a window from your handheld to your TV and AV components even though they are concealed inside the cabinet. No programming required!



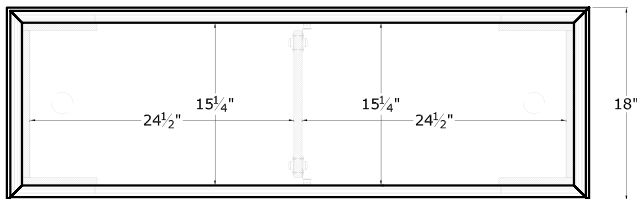
Chatham Black

TV Lift Cabinet

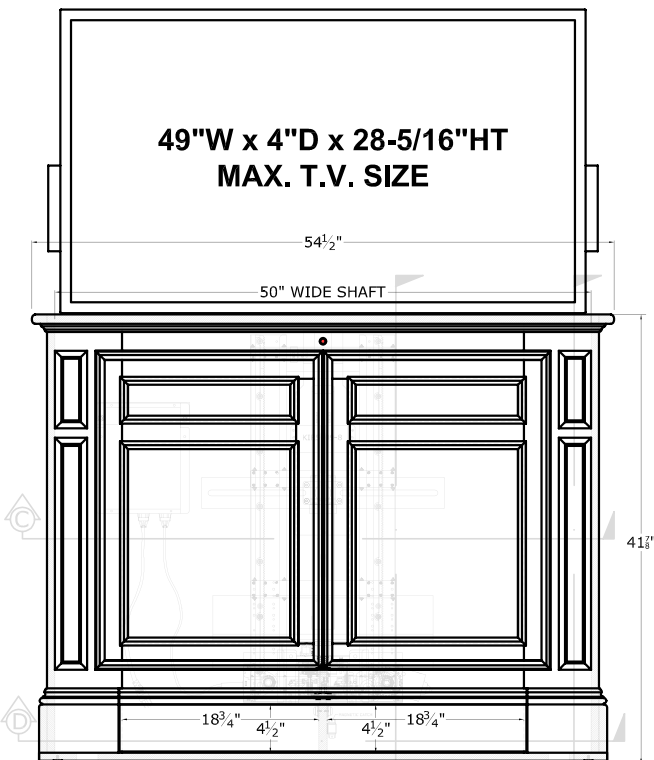
Dimension Drawing



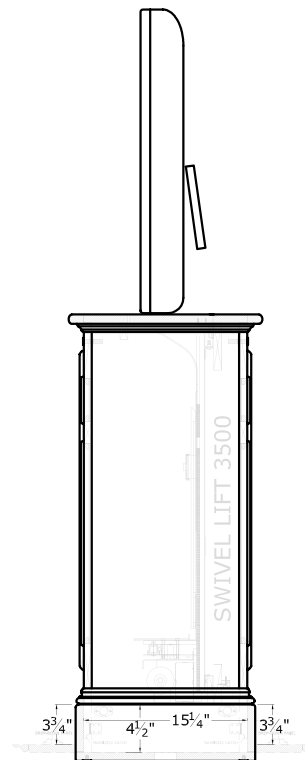
TOP VIEW
(THRU C)



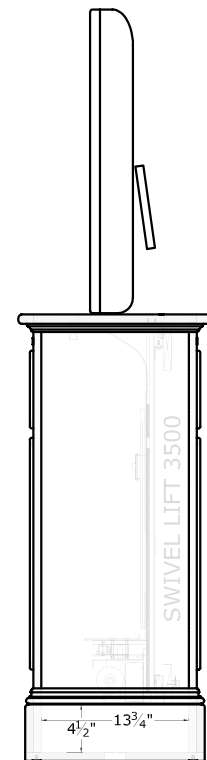
TOP VIEW
(THRU D)



FRONT VIEW



SIDE VIEW
(THRU A)



SIDE VIEW
(THRU B)

Chatham Brown

TV Lift Cabinet

Cabinet Features:

- Made in the USA.
- Houses TV's 36-55".
- Maximum TV size of 49" x 4" x 28-5/16".
- Two 18-3/4" x 15-1/4" x 3-3/4" openings at the bottom of the cabinet are revealed after opening the hidden panel.
- Solid Maple wood.
- Built-in infrared system.
- Wire management slots are cut into floor of the cabinet allowing wires to exit.
- Constructed with leveling floor glides for uneven surfaces.
- Finish and framed on all 4 sides allowing it to be used against the wall, free standing, or at the foot-of-the bed.
- Multi-step stain and scratch resistant finish.
- Fully ventilated to allow for generous air circulation.



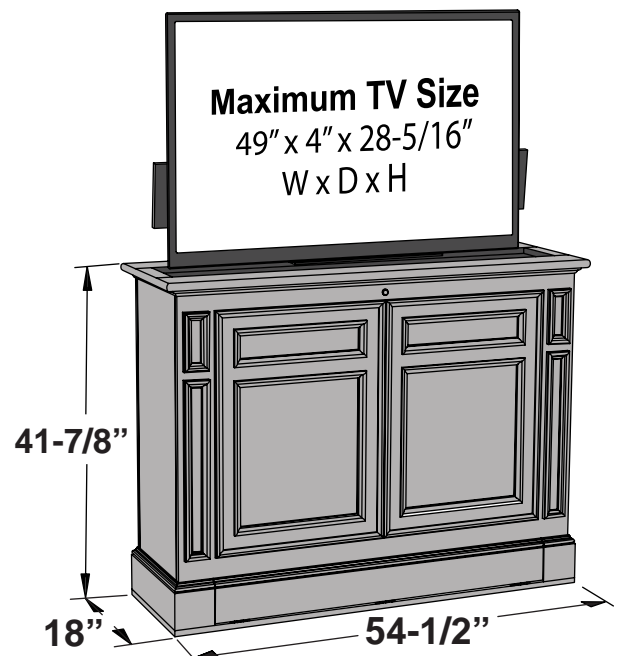
Lift Features:

- Fully assembled & pre-installed.
- 1 year in home parts and labor warranty.
- Radio Frequency Remote.
- Certified Creston Integrated Partner.
- Built in RJ45 Port.
- Built in safety features.
- Universal TV mounting bracket & TV mounting hardware included.
- Pre-installed Heavy-duty rack and pinion drive system.
- Smooth and stable travel.
- Nearly silent operation.
- Welded steel construction.
- Thermal overload protection.
- Manual controls included.
- Patent Pending.

- **Radio frequency remote**
For operating TV lift mechanism.



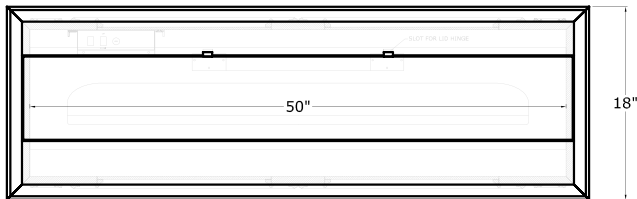
- **Infrared relay system**
Provides a window from your handheld to your TV and AV components even though they are concealed inside the cabinet. No programming required!



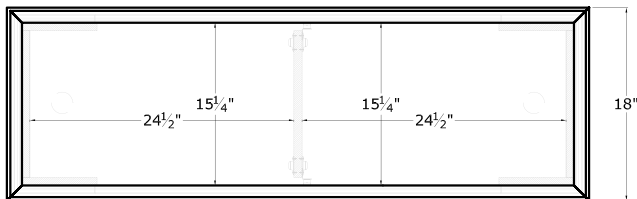
Chatham Brown

TV Lift Cabinet

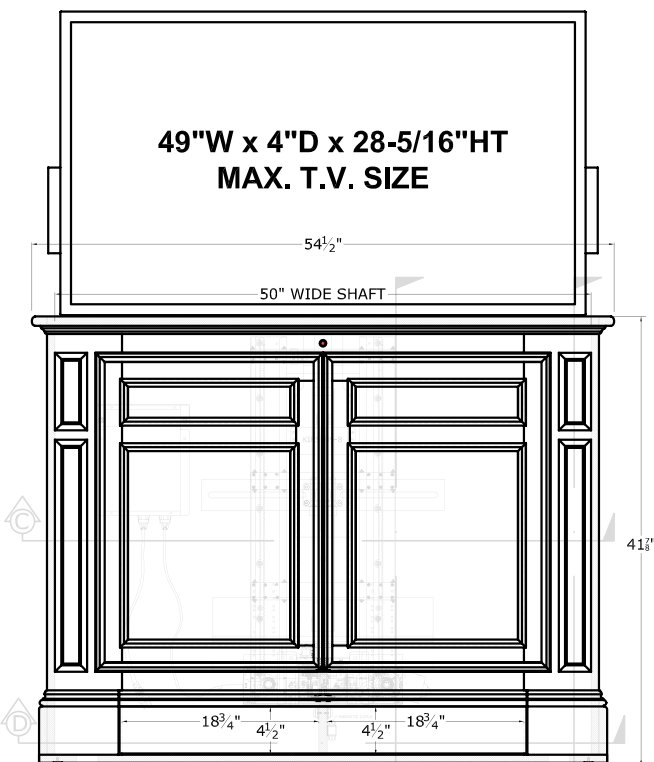
Dimension Drawing



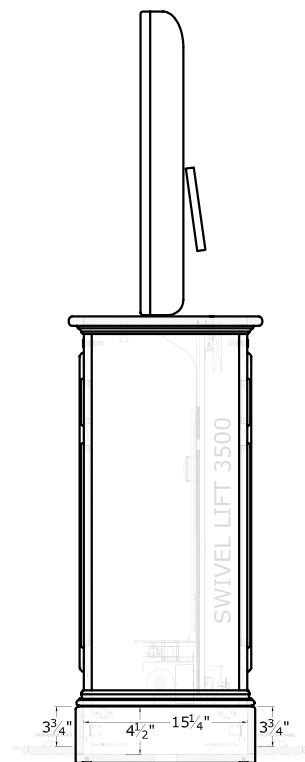
TOP VIEW
(THRU C)



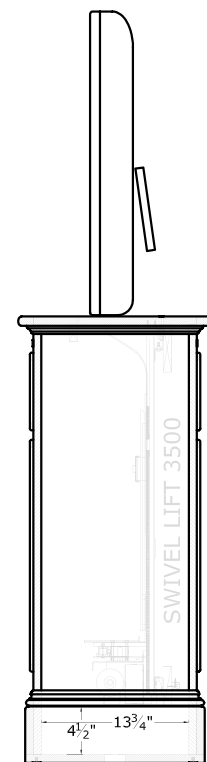
TOP VIEW
(THRU D)



FRONT VIEW



SIDE VIEW
(THRU A)



SIDE VIEW
(THRU B)

Chatham White

TV Lift Cabinet

Cabinet Features:

- Made in the USA.
- Houses TV's 36-55".
- Maximum TV size of 49" x 4" x 28-5/16".
- Two 18-3/4" x 15-1/4" x 3-3/4" openings at the bottom of the cabinet are revealed after opening the hidden panel.
- Solid Maple wood.
- Built-in infrared system.
- Wire management slots are cut into floor of the cabinet allowing wires to exit.
- Constructed with leveling floor glides for uneven surfaces.
- Finish and framed on all 4 sides allowing it to be used against the wall, free standing, or at the foot-of-the bed.
- Multi-step stain and scratch resistant finish.
- Fully ventilated to allow for generous air circulation.



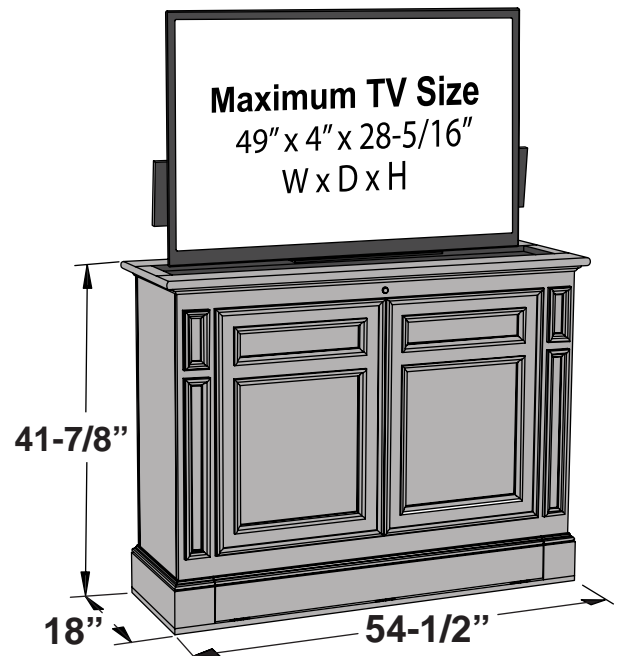
Lift Features:

- Fully assembled & pre-installed.
- 1 year in home parts and labor warranty.
- Radio Frequency Remote.
- Certified Creston Integrated Partner.
- Built in RJ45 Port.
- Built in safety features.
- Universal TV mounting bracket & TV mounting hardware included.
- Pre-installed Heavy-duty rack and pinion drive system.
- Smooth and stable travel.
- Nearly silent operation.
- Welded steel construction.
- Thermal overload protection.
- Manual controls included.
- Patent Pending.

- **Radio frequency remote**
For operating TV lift mechanism.



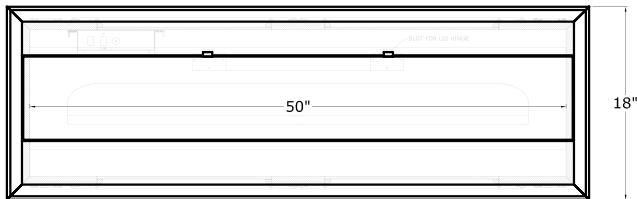
- **Infrared relay system**
Provides a window from your handheld to your TV and AV components even though they are concealed inside the cabinet. No programming required!



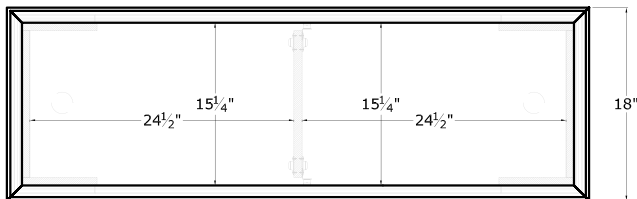
Chatham White

TV Lift Cabinet

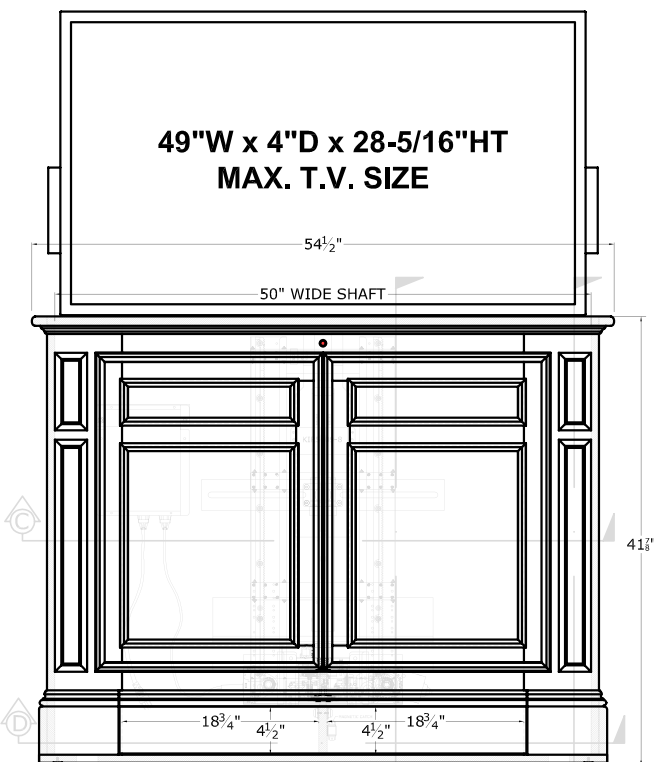
Dimension Drawing



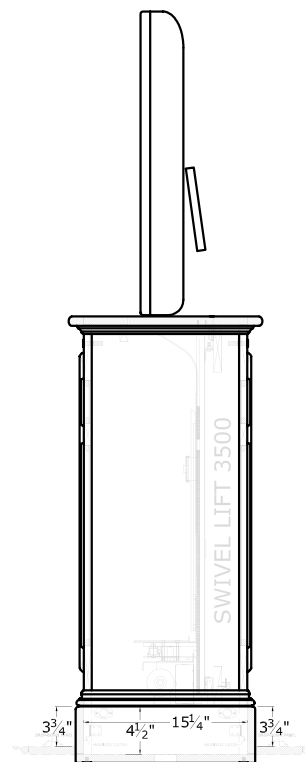
TOP VIEW
(THRU C)



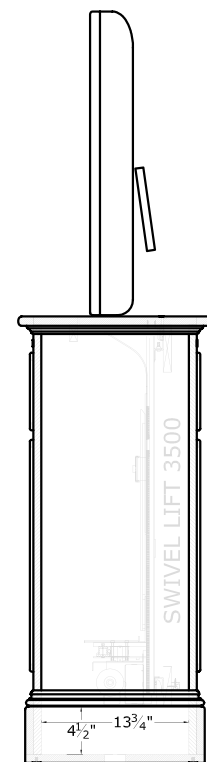
TOP VIEW
(THRU D)



FRONT VIEW



SIDE VIEW
(THRU A)



SIDE VIEW
(THRU B)

Concord

TV Lift Cabinet

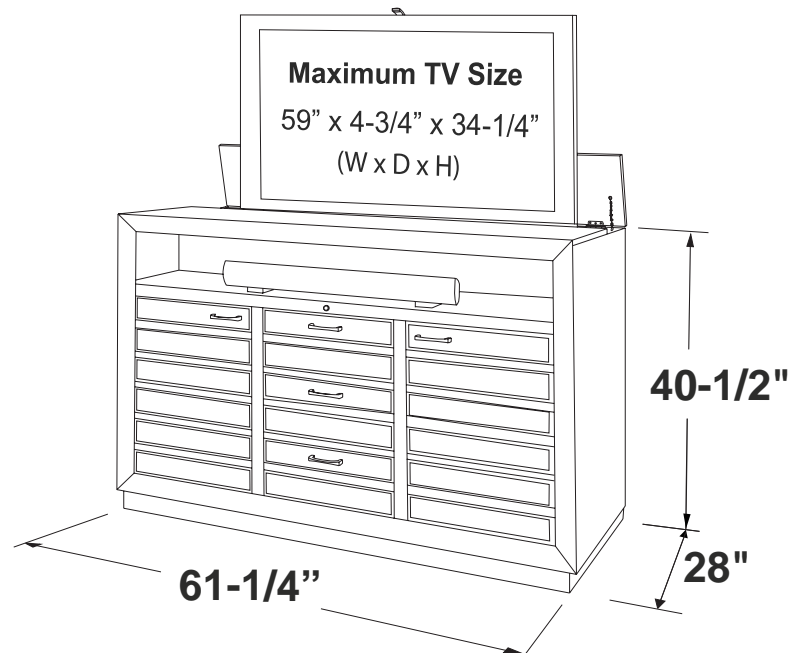
Cabinet Features:

- Made in the USA of Solid Maple Wood. Houses most 70" flat panel TV's on the factory pre-installed TV Lift.
- Espresso stain and scratch resistant topcoat.
- Built-in infrared system allowing you to operate your equipment without opening the doors.
- Large horizontal cubby can be used for equipment, surround sound speakers, and or decor.
- Four adjustable ventilated shelves.
- 3 working full depth drawers.
- Cord management cut-outs throughout.



Lift Features:

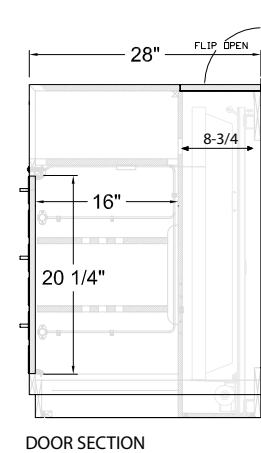
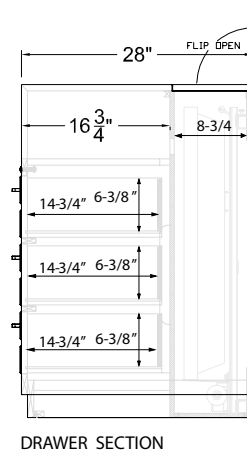
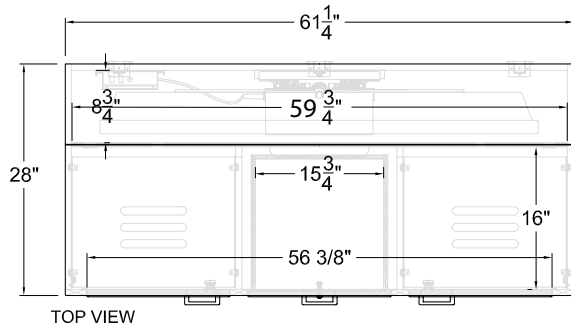
- Fully assembled & pre-installed.
- 1 year in home parts and labor warranty.
- Radio Frequency Remote.
- Universal TV mounting bracket & TV mounting hardware included.
- Heavy-duty rack and pinion drive system.
- Smooth and stable travel.
- Nearly silent operation.
- Welded steel construction.
- Built-in wire management.
- Patent Pending.



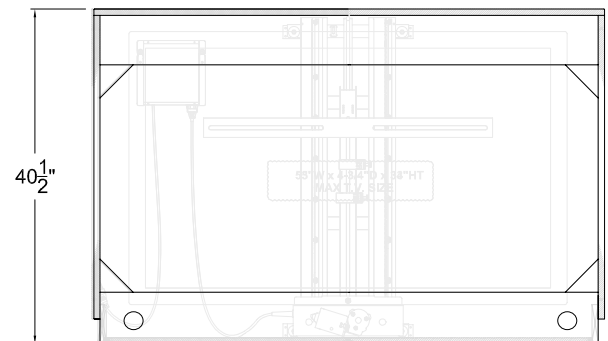
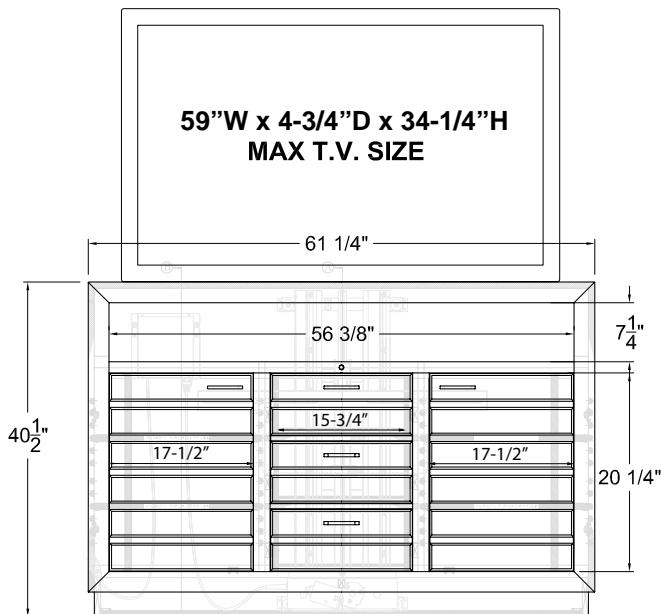
Infrared relay system provides a window from your handheld remotes to your TV and audio components even though they are concealed inside the cabinet. No programming required!

Concord

TV Lift Cabinet Dimension Drawing



**59"W x 4-3/4"D x 34-1/4"H
MAX T.V. SIZE**



Concord XL

TV Lift Cabinet

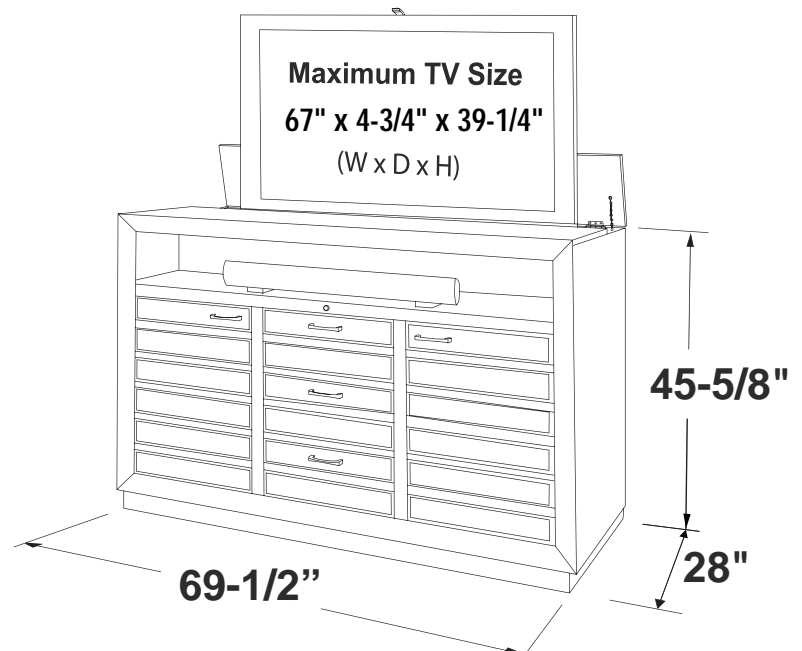
Cabinet Features:

- Made in the USA of Solid Maple Wood.
Houses most 75" flat panel TV's on the factory pre-installed TV Lift.
- Espresso stain and scratch resistant topcoat.
- Built-in infrared system allowing you to operate your equipment without opening the doors.
- Large horizontal cubby can be used for equipment, surround sound speakers, and or decor.
- Four adjustable ventilated shelves.
- 3 working full depth drawers.
- Cord management cut-outs throughout.



Lift Features:

- Fully assembled & pre-installed.
- 1 year in home parts and labor warranty.
- Radio Frequency Remote.
- Universal TV mounting bracket & TV mounting hardware included.
- Heavy-duty rack and pinion drive system.
- Smooth and stable travel.
- Nearly silent operation.
- Welded steel construction.
- Built-in wire management.
- Patent Pending.

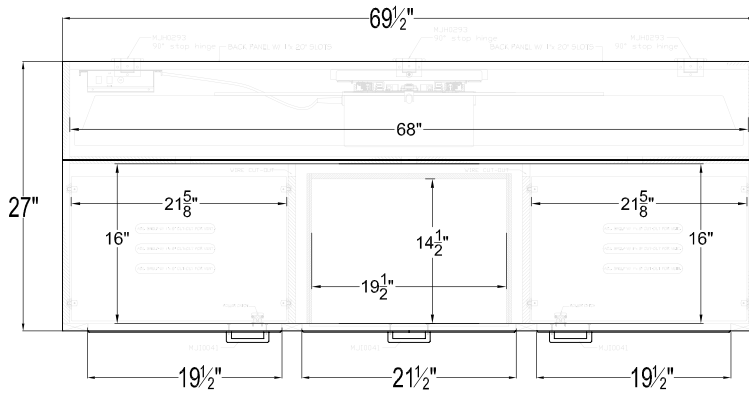


Infrared relay system provides a window from your handheld remotes to your TV and audio components even though they are concealed inside the cabinet.
No programming required!

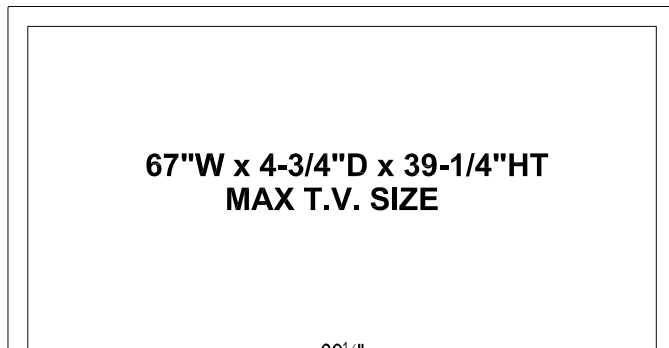
Concord XL

TV Lift Cabinet

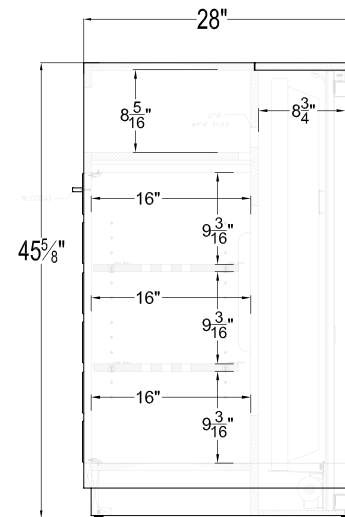
Dimension Drawing



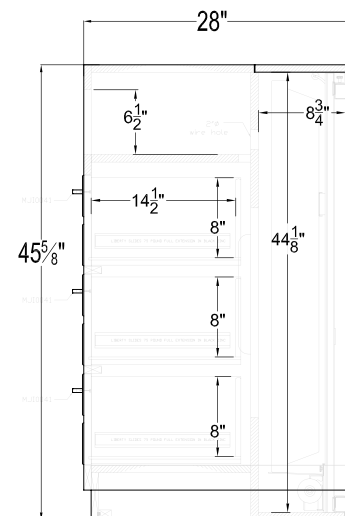
TOP VIEW



FRONT VIEW



SECTION C



SECTION B

Crystal Pointe Swivel

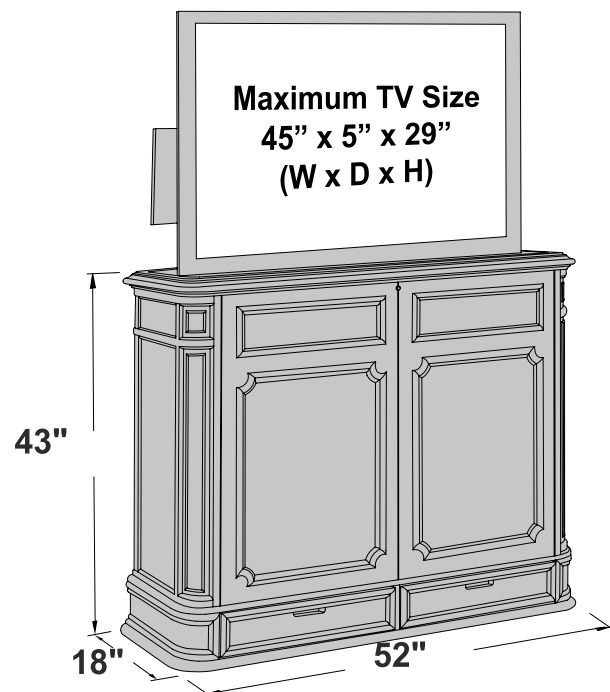
TV Lift Cabinet (Foot of the Bed Unit)

Cabinet Features:

- Ships fully assembled.
- Built-in Infrared Relay System.
- Hand selected hardwood solid and Mahogany veneers.
- Multi-step stain and scratch resistant finish.
- Fully ventilated to allow for generous air circulation.

Lift Features:

- 360 deg. electric swivel
- Fully assembled and pre-installed.
- 1 year in home parts and labor warranty.
- Radio Frequency Remote.
- Thermal overload protection.
- Certified Crestron Intergrated Partner
- Built in safety features.
- Universal TV mounting bracket included.
- Pre-installed Heavy-duty rack and pinion drive system.
- Smooth and stable travel.
- Nearly silent operation.
- Welded steel construction.
- Thermal overload protection.
- Manual controls included, Patent pending.



Infrared relay system provides a window from your handheld remotes to your TV and audio components even though they are concealed inside the cabinet. No programming required!

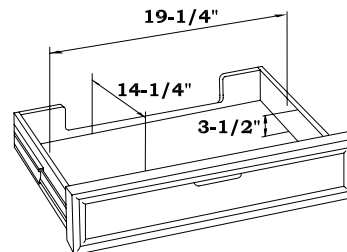
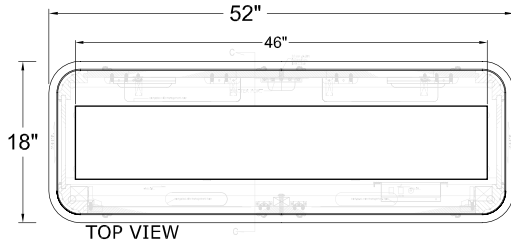


Radio frequency remote for operating TV lift mechanism

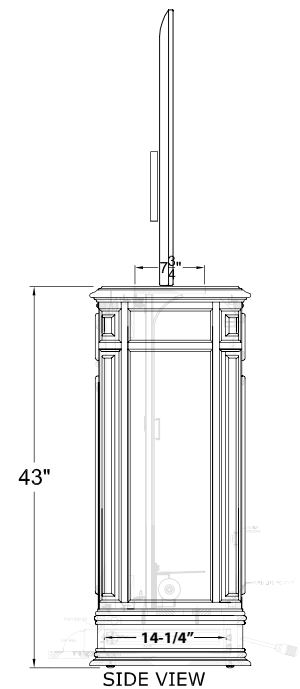
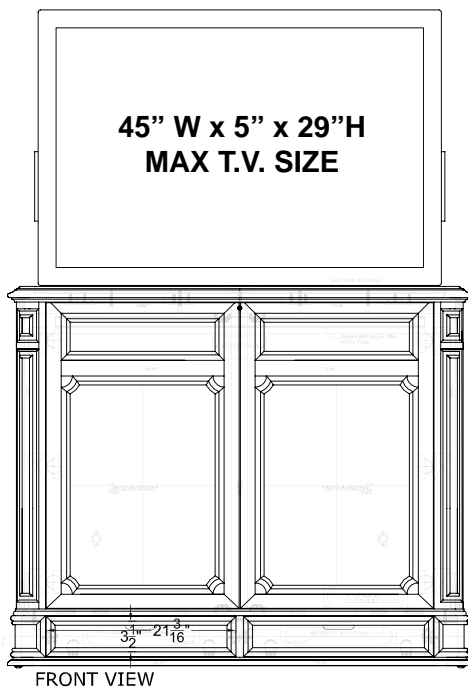
Crystal Pointe Swivel

TV Lift Cabinet

Dimension Drawing



**DRAWER
INTERIOR DIMENSIONS**



Crystal Pointe Swivel Weathered White

TV Lift Cabinet (Foot of the Bed Unit)

Cabinet Features:

- Ships fully assembled.
- Built-in Infrared Relay System.
- Hand selected hardwood solid and Mahogany veneers.
- Multi-step stain and scratch resistant finish.
- Fully ventilated to allow for generous air circulation.

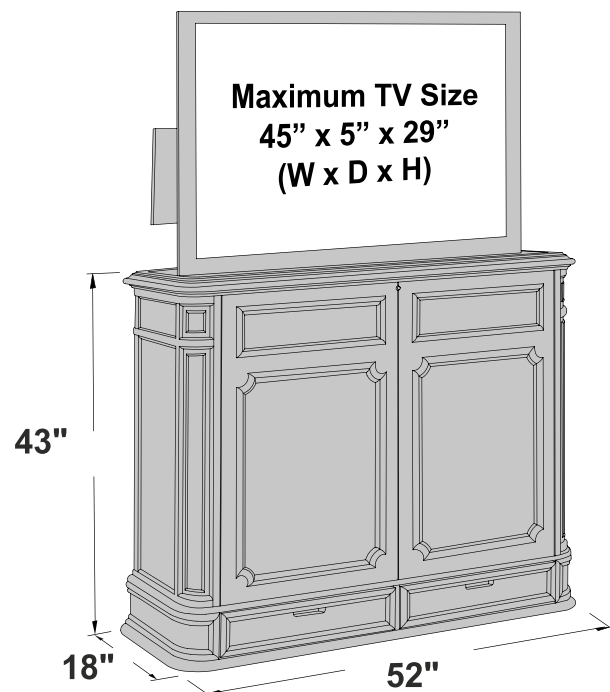
Lift Features:

- 360 deg. electric swivel
- Fully assembled and pre-installed.
- 1 year in home parts and labor warranty.
- Radio Frequency Remote.
- Thermal overload protection.
- Certified Crestron Intergrated Partner
- Built in safety features.
- Universal TV mounting bracket included.
- Pre-installed Heavy-duty rack and pinion drive system.
- Smooth and stable travel.
- Nearly silent operation.
- Welded steel construction.
- Thermal overload protection.
- Manual controls included, Patent pending.



Shown closed

Rear with open drawers



Infrared relay system provides a window from your handheld remotes to your TV and audio components even though they are concealed inside the cabinet. No programming required!

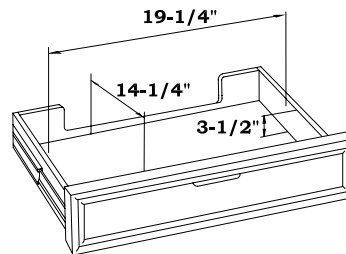
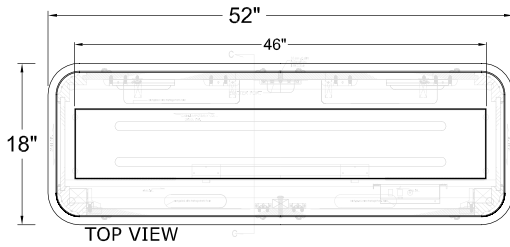


Radio frequency remote for operating TV lift mechanism

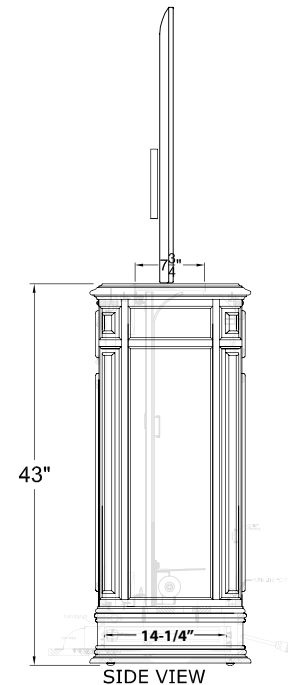
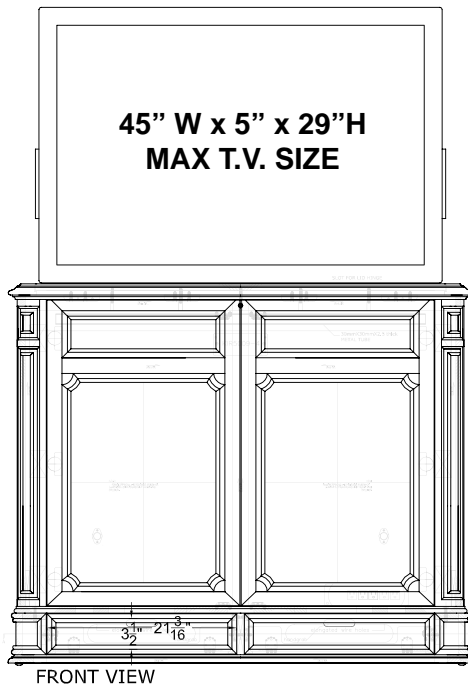
Crystal Pointe Swivel Weathered White

TV Lift Cabinet

Dimension Drawing



**DRAWER
INTERIOR DIMENSIONS**



Crystal Pointe (Black)

TV Lift Cabinet (Foot of the Bed Unit)

Cabinet Features:

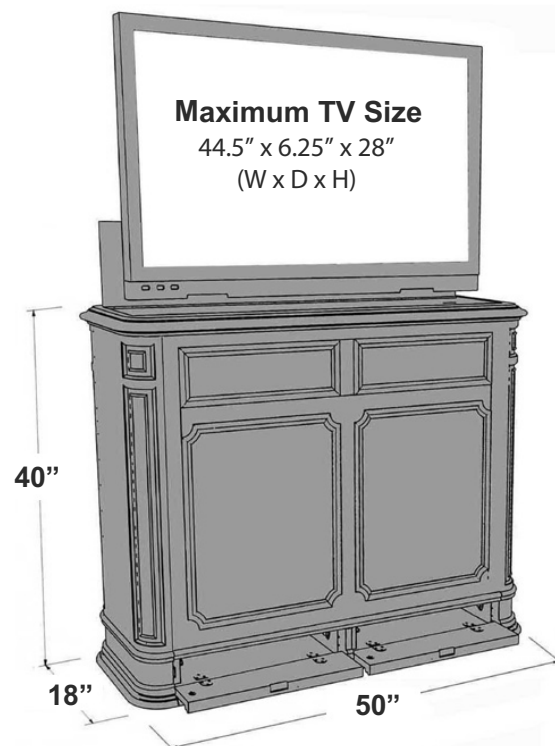
- Fully assembled.
- Built-in Infrared Relay System.
- Hand selected hardwood solid and Mahogany veneers.
- Multi-step stain and scratch resistant finish.
- Fully ventilated to allow for generous air circulation.

Lift Features:

- Fully assembled.
- 1 year in home parts and labor warranty.
- Radio Frequency Remote.
- Universal TV mounting bracket included.
- Auto reversing safety mechanism.
- Heavy-duty rack and pinion drive system.
- Smooth and stable travel.
- Nearly silent operation.
- Welded steel construction.
- Thermal overload protection.
- Built-in wire management.
- Patent Pending.



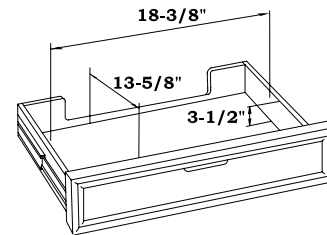
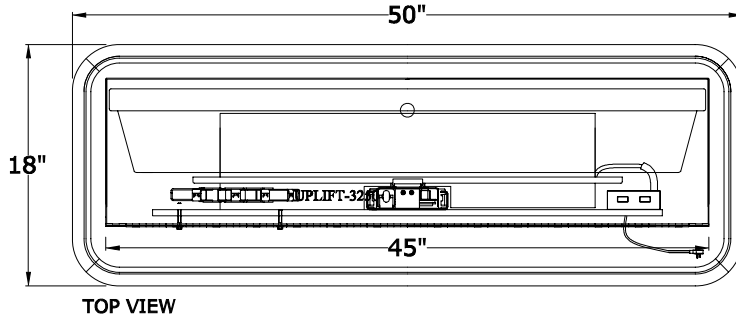
Infrared relay system provides a window from your handheld remotes to your TV and audio components even though they are concealed inside the cabinet. No programming required!



Crystal Pointe (Black)

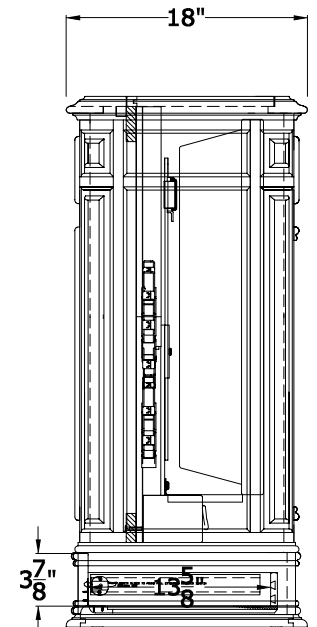
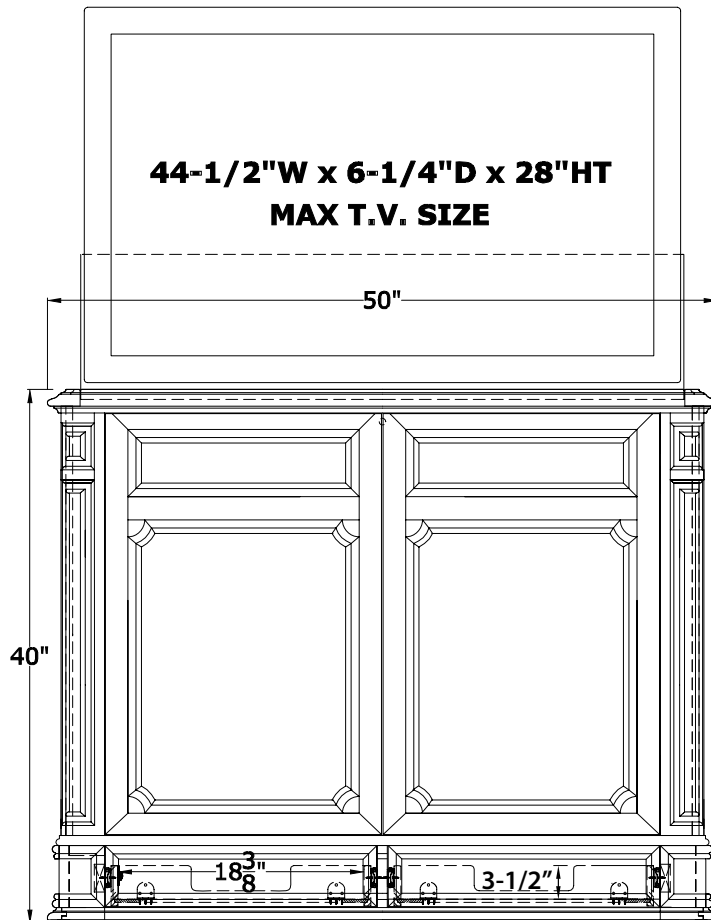
TV Lift Cabinet (Foot of the Bed Unit)

Dimension Drawing



**DRAWER
INTERIOR DIMENSIONS**

**44-1/2"W x 6-1/4"D x 28"HT
MAX T.V. SIZE**



Crystal Pointe (Brown)

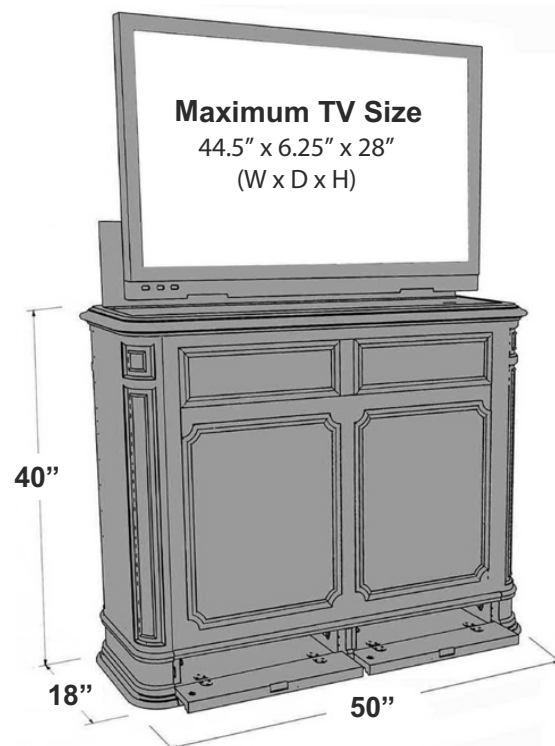
TV Lift Cabinet (Foot of the Bed Unit)

Cabinet Features:

- Fully assembled.
- Built-in Infrared Relay System.
- Hand selected hardwood solid and Mahogany veneers.
- Multi-step stain and scratch resistant finish.
- Fully ventilated to allow for generous air circulation.

Lift Features:

- Fully assembled.
- 1 year in home parts and labor warranty.
- Radio Frequency Remote.
- Universal TV mounting bracket included.
- Auto reversing safety mechanism.
- Heavy-duty rack and pinion drive system.
- Smooth and stable travel.
- Nearly silent operation.
- Welded steel construction.
- Thermal overload protection.
- Built-in wire management.
- Patent Pending.



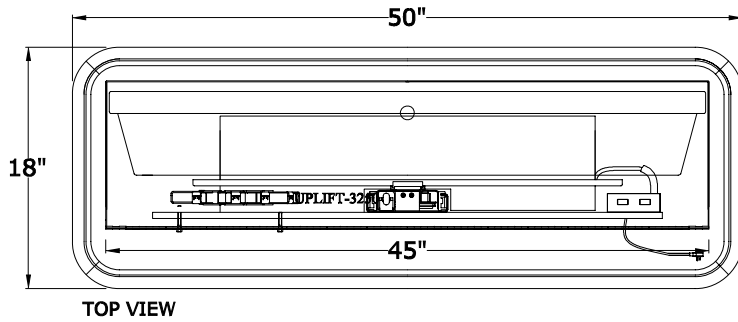
Infrared relay system provides a window from your handheld remotes to your TV and audio components even though they are concealed inside the cabinet. No programming required!

Home » Foot of the Bed TV Lifts » Crystal Pointe Brown » Dimension Drawing

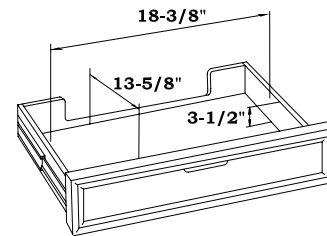
Crystal Pointe (Brown)

TV Lift Cabinet (Foot of the Bed Unit)

Dimension Drawing

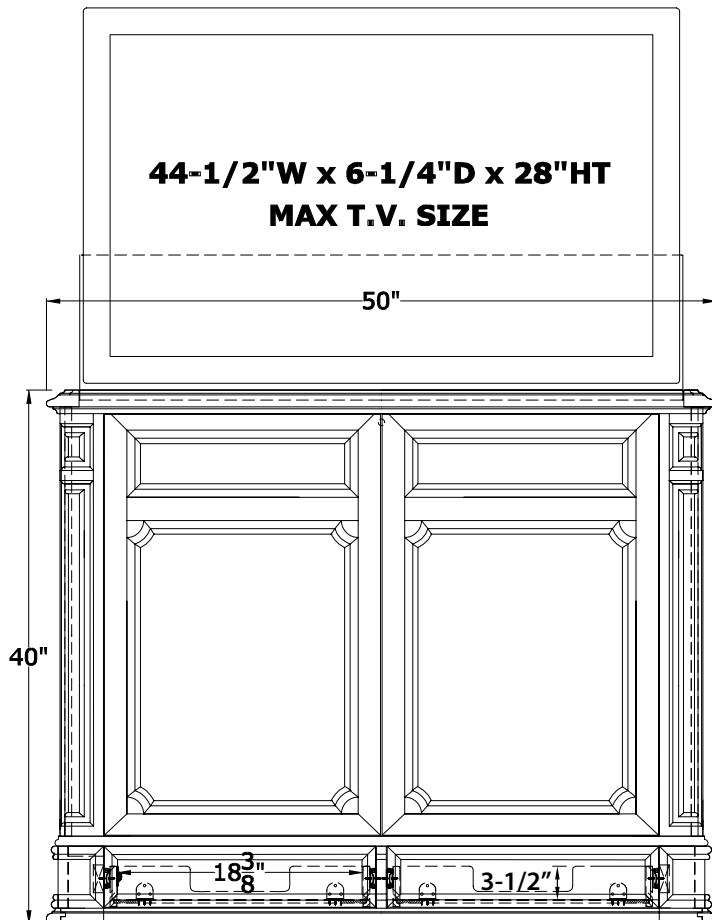


TOP VIEW

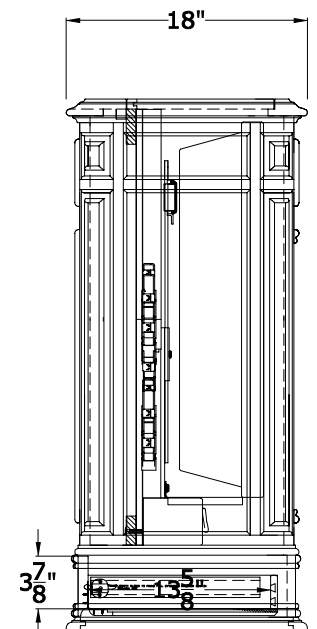


DRAWER
INTERIOR DIMENSIONS

**44-1/2"W x 6-1/4"D x 28"HT
MAX T.V. SIZE**



FRONT VIEW



SIDE VIEW

Crystal Pointe (White)

TV Lift Cabinet (Foot of the Bed Unit)

Cabinet Features:

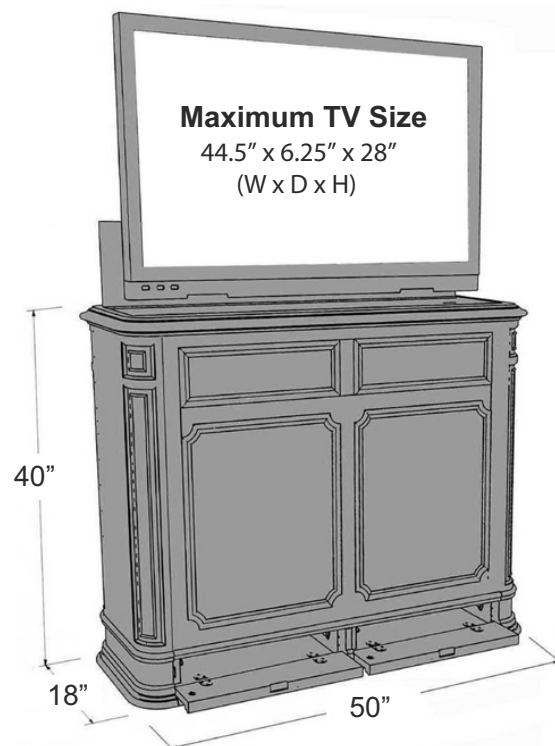
- Fully assembled.
- Built-in Infrared Relay System.
- Hand selected hardwood solid and Mahogany veneers.
- Multi-step stain and scratch resistant finish.
- Fully ventilated to allow for generous air circulation.

Lift Features:

- Fully assembled.
- 1 year in home parts and labor warranty.
- Radio Frequency Remote.
- Universal TV mounting bracket included.
- Auto reversing safety mechanism.
- Heavy-duty rack and pinion drive system.
- Smooth and stable travel.
- Nearly silent operation.
- Welded steel construction.
- Thermal overload protection.
- Built-in wire management.
- Patent Pending.



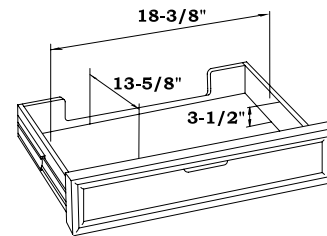
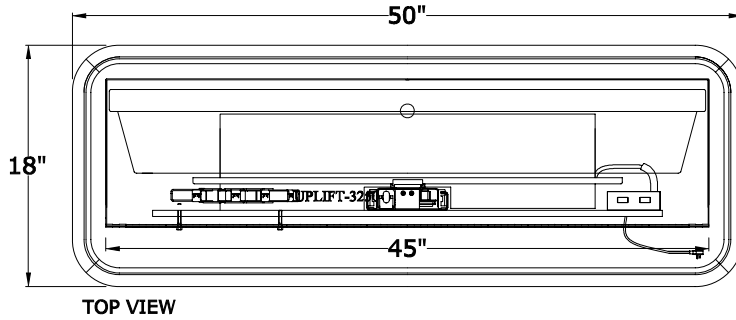
Infrared relay system provides a window from your handheld remotes to your TV and audio components even though they are concealed inside the cabinet. No programming required!



Crystal Pointe (White)

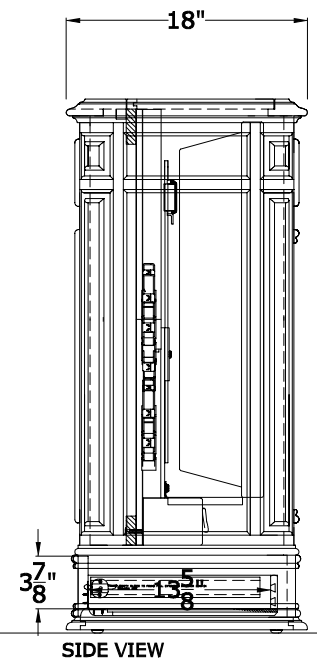
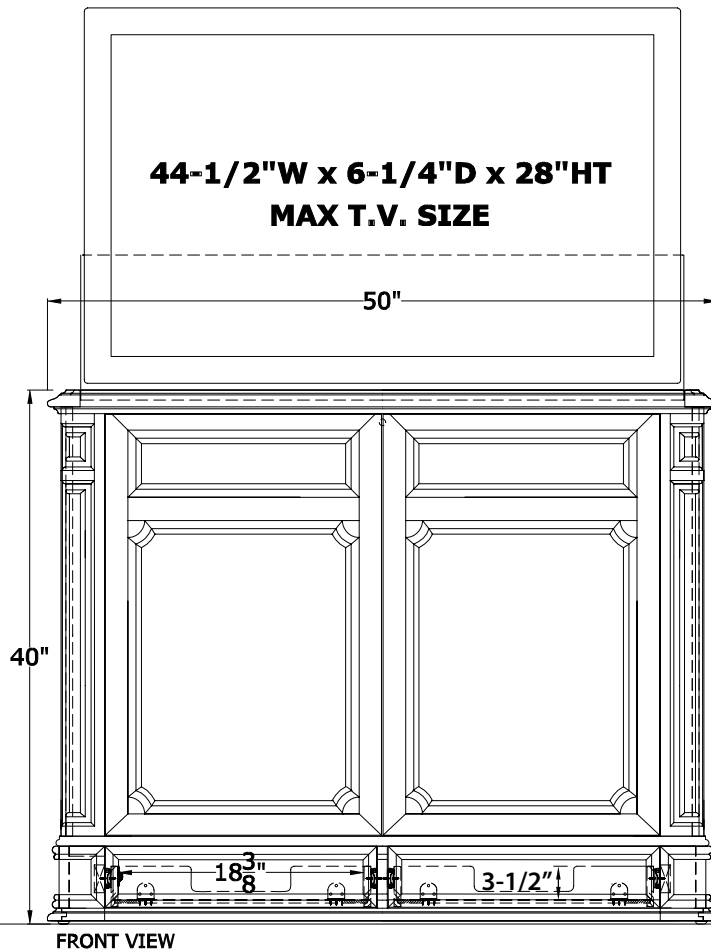
TV Lift Cabinet (Foot of the Bed Unit)

Dimension Drawing



**DRAWER
INTERIOR DIMENSIONS**

**44-1/2"W x 6-1/4"D x 28"HT
MAX T.V. SIZE**



Crystal Pointe XL (Black)

TV Lift Cabinet (Foot of the Bed Unit)

Cabinet Features:

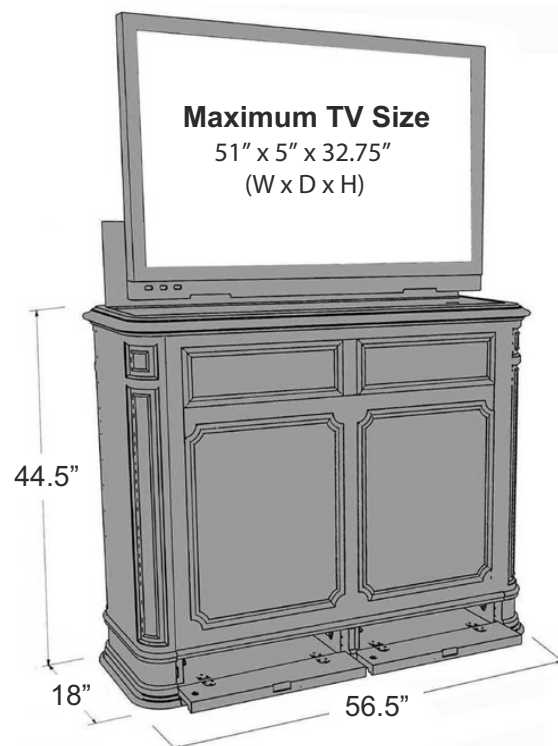
- Fully assembled.
- Built-in Infrared Relay System.
- Hand selected hardwood solid and Mahogany veneers.
- Multi-step stain and scratch resistant finish.
- Fully ventilated to allow for generous air circulation.

Lift Features:

- Fully assembled.
- 1 year in home parts and labor warranty.
- Radio Frequency Remote.
- Universal TV mounting bracket included.
- Auto reversing safety mechanism.
- Heavy-duty rack and pinion drive system.
- Smooth and stable travel.
- Nearly silent operation.
- Welded steel construction.
- Thermal overload protection.
- Built-in wire management.
- Patent Pending.



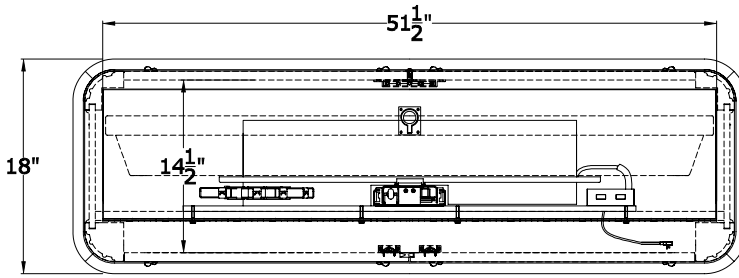
Infrared relay system provides a window from your handheld remotes to your TV and audio components even though they are concealed inside the cabinet. No programming required!



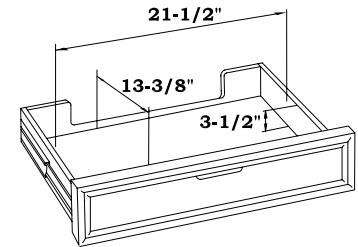
Crystal Pointe XL (Black)

TV Lift Cabinet (Foot of the Bed Unit)

Dimension Drawing

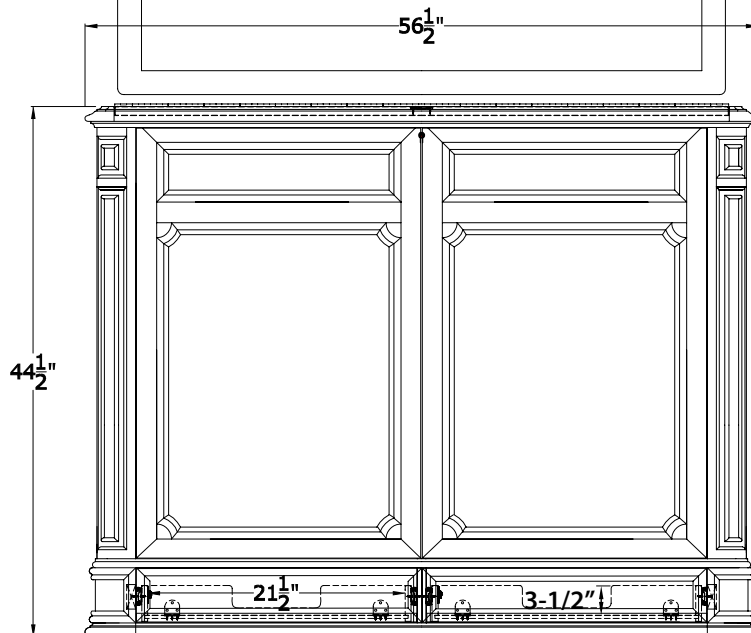


TOP VIEW

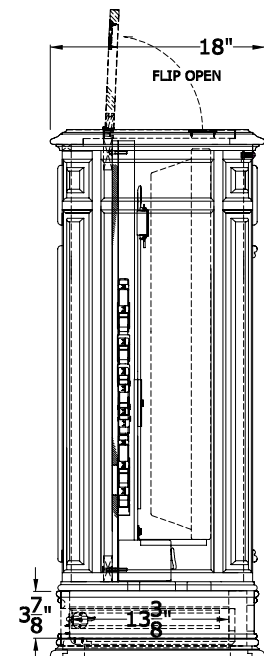


DRAWER
INTERIOR DIMENSIONS

**51"W x 5"D x 32 3/4"HT
MAX T.V. SIZE**



FRONT VIEW



SIDE VIEW

Crystal Pointe XL (Brown)

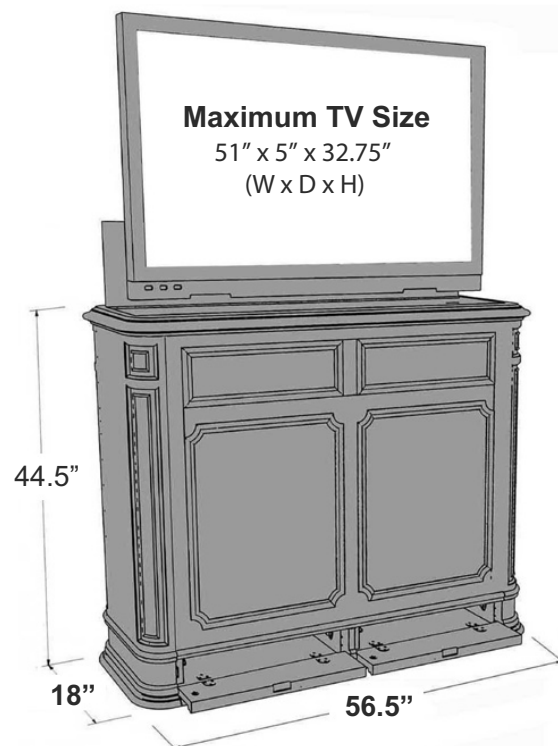
TV Lift Cabinet (Foot of the Bed Unit)

Cabinet Features:

- Fully assembled.
- Built-in Infrared Relay System.
- Hand selected hardwood solid and Mahogany veneers.
- Multi-step stain and scratch resistant finish.
- Fully ventilated to allow for generous air circulation.

Lift Features:

- Fully assembled.
- 1 year in home parts and labor warranty.
- Radio Frequency Remote.
- Universal TV mounting bracket included.
- Auto reversing safety mechanism.
- Heavy-duty rack and pinion drive system.
- Smooth and stable travel.
- Nearly silent operation.
- Welded steel construction.
- Thermal overload protection.
- Built-in wire management.
- Patent Pending.

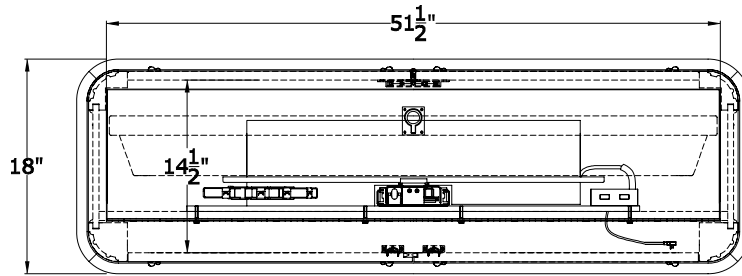


Infrared relay system provides a window from your handheld remotes to your TV and audio components even though they are concealed inside the cabinet. No programming required!

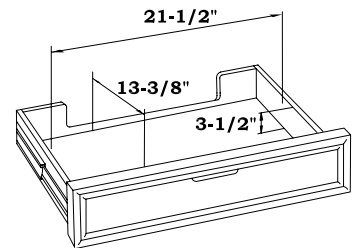
Crystal Pointe XL (Brown)

TV Lift Cabinet (Foot of the Bed Unit)

Dimension Drawing

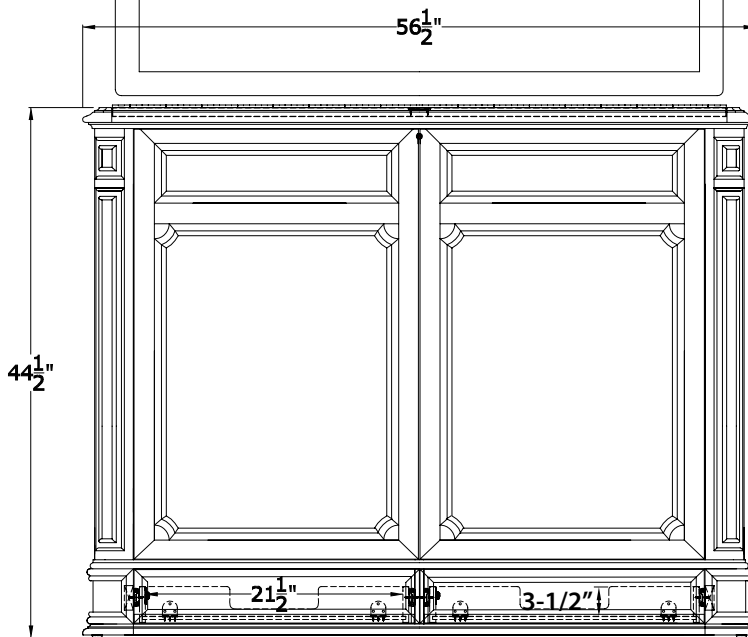


TOP VIEW

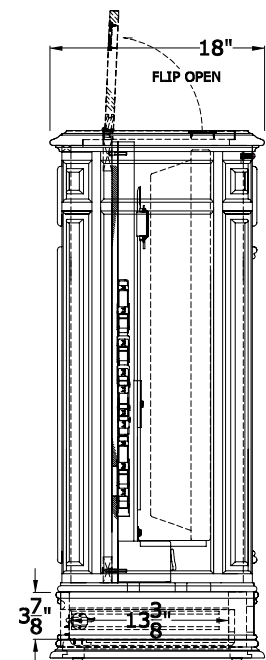


DRAWER
INTERIOR DIMENSIONS

**51"W x 5"D x 32 3/4"HT
MAX T.V. SIZE**



FRONT VIEW



SIDE VIEW

Crystal Pointe XL (White)

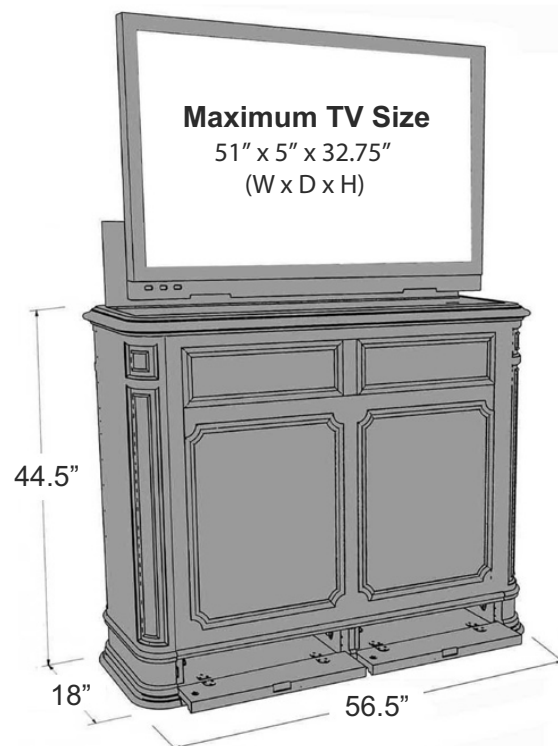
TV Lift Cabinet (Foot of the Bed Unit)

Cabinet Features:

- Fully assembled.
- Built-in Infrared Relay System.
- Hand selected hardwood solid and Mahogany veneers.
- Multi-step stain and scratch resistant finish.
- Fully ventilated to allow for generous air circulation.

Lift Features:

- Fully assembled.
- 1 year in home parts and labor warranty.
- Radio Frequency Remote.
- Universal TV mounting bracket included.
- Auto reversing safety mechanism.
- Heavy-duty rack and pinion drive system.
- Smooth and stable travel.
- Nearly silent operation.
- Welded steel construction.
- Thermal overload protection.
- Built-in wire management.
- Patent Pending.

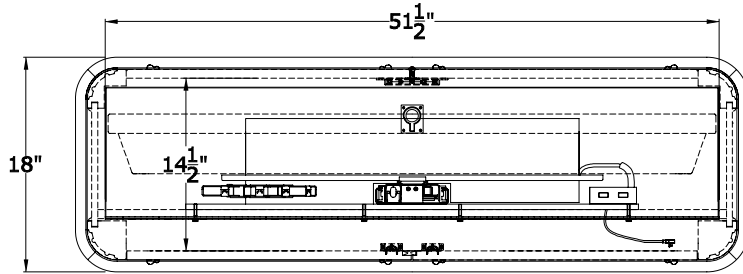


Infrared relay system provides a window from your handheld remotes to your TV and audio components even though they are concealed inside the cabinet. No programming required!

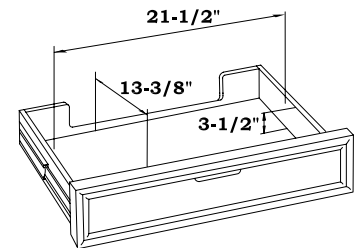
Crystal Pointe XL (White)

TV Lift Cabinet (Foot of the Bed Unit)

Dimension Drawing

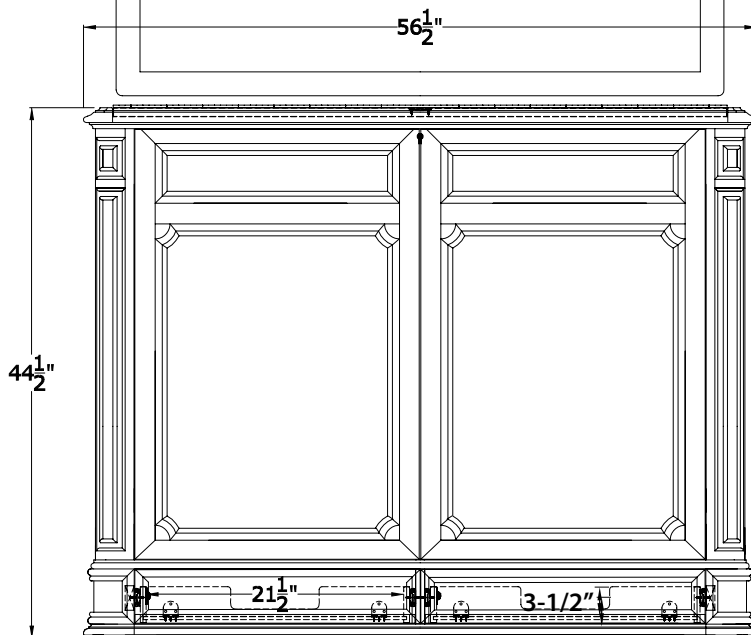


TOP VIEW

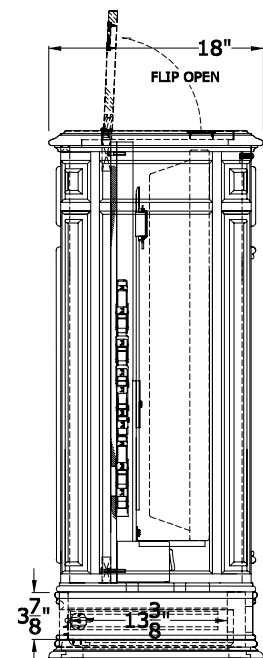


DRAWER
INTERIOR DIMENSIONS

**51"W x 5"D x 32 3/4"HT
MAX T.V. SIZE**



FRONT VIEW



SIDE VIEW

Dynasty Black

TV Lift Cabinet

Cabinet Features:

- Made in USA.
- Made of solid Maple wood.
- Ships fully assembled.
- Max. AV equipment size: 21" x 16".
- Two panel doors on sides and three equal drawers.
- Two ventilated adjustable shelves behind doors.
- Pre-installed IR (Infrared) and emitters.
- Solid brass hardware.
- Fully ventilated backs to allow for generous air circulation.

Lift Features:

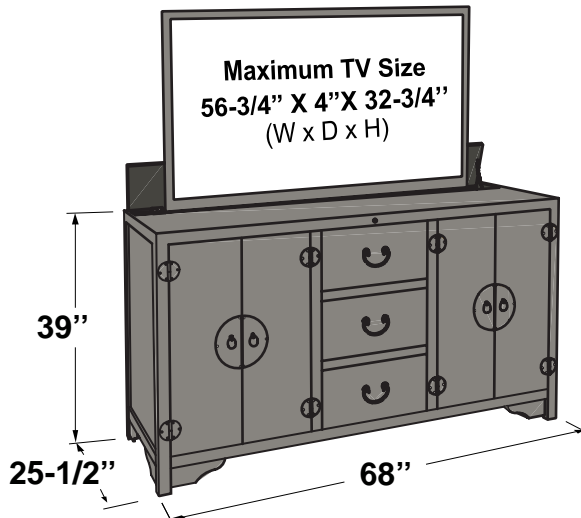
- Fully assembled and pre-installed.
- 1 year in home parts and labor warranty.
- Radio Frequency Remote.
- Thermal overload protection.
- Certified Crestron Intergrated Partner.
- AMX Certified Partner.
- Built in safety features.
- Universal TV mounting bracket included.
- Pre-installed heavy-duty rack and pinion drive system.
- Smooth and stable travel.
- Nearly silent operation.
- Welded steel construction.
- Thermal overload protection.
- Manual controls included, Patent pending.



Infrared relay system provides a window from your handheld remotes to your TV and audio components even though they are concealed inside the cabinet. No programming required!



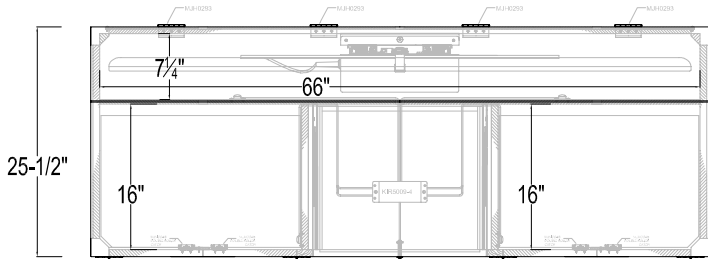
Radio frequency remote for operating TV lift mechanism



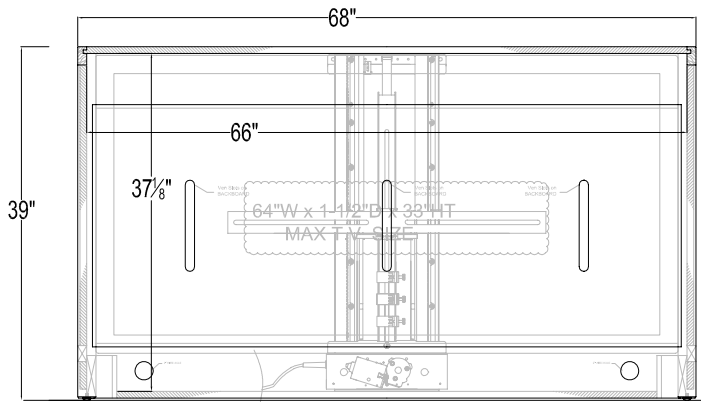
Dynasty Black

TV Lift Cabinet

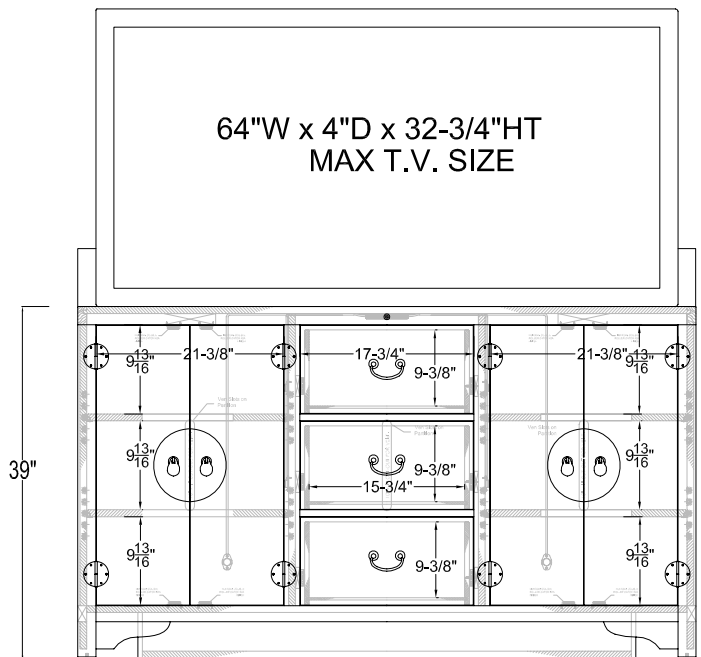
Dimension Drawing



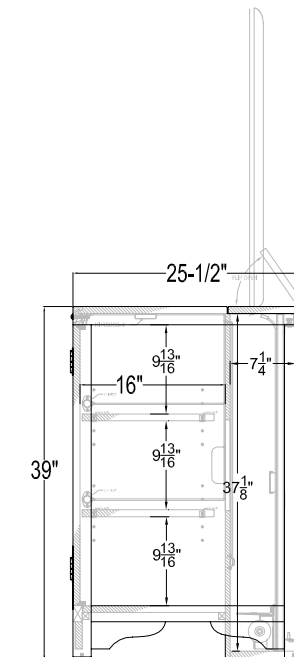
TOP VIEW



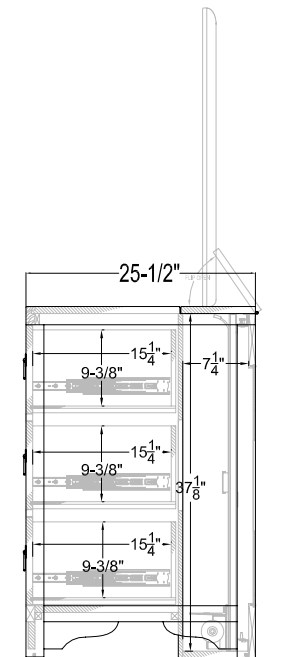
REAR VIEW



FRONT VIEW



SIDE VIEW (SECTION AA)



SIDE VIEW (SECTION BB)

Dynasty Brown

TV Lift Cabinet

Cabinet Features:

- Made in USA.
- Made of solid Maple wood.
- Ships fully assembled.
- Max. AV equipment size: 21" x 16".
- Two panel doors on sides and three equal drawers.
- Two ventilated adjustable shelves behind doors.
- Pre-installed IR (Infrared) and emitters.
- Solid brass hardware.
- Fully ventilated backs to allow for generous air circulation.

Lift Features:

- Fully assembled and pre-installed.
- 1 year in home parts and labor warranty.
- Radio Frequency Remote.
- Thermal overload protection.
- Certified Crestron Intergrated Partner.
- AMX Certified Partner.
- Built in safety features.
- Universal TV mounting bracket included.
- Pre-installed heavy-duty rack and pinion drive system.
- Smooth and stable travel.
- Nearly silent operation.
- Welded steel construction.
- Thermal overload protection.
- Manual controls included, Patent pending.



Shown closed

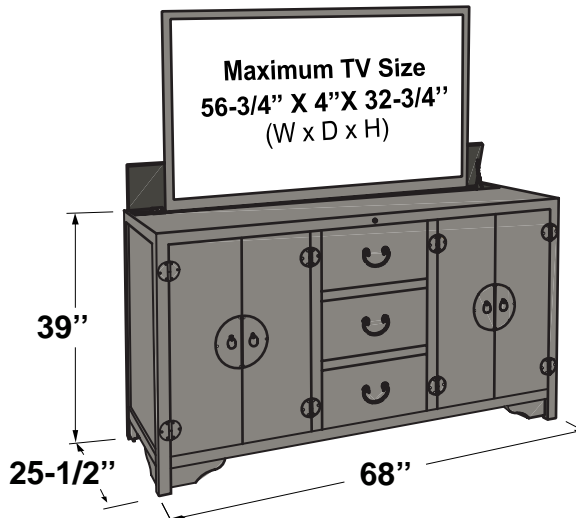
Shown open



Infrared relay system provides a window from your handheld remotes to your TV and audio components even though they are concealed inside the cabinet. No programming required!



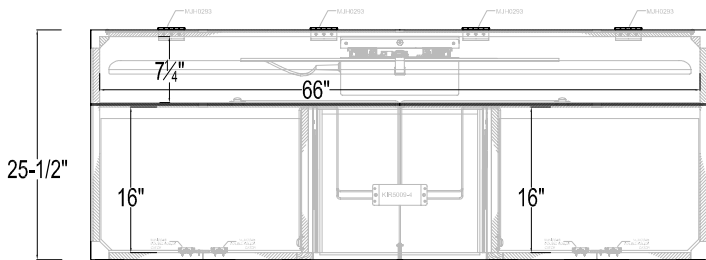
Radio frequency remote for operating TV lift mechanism



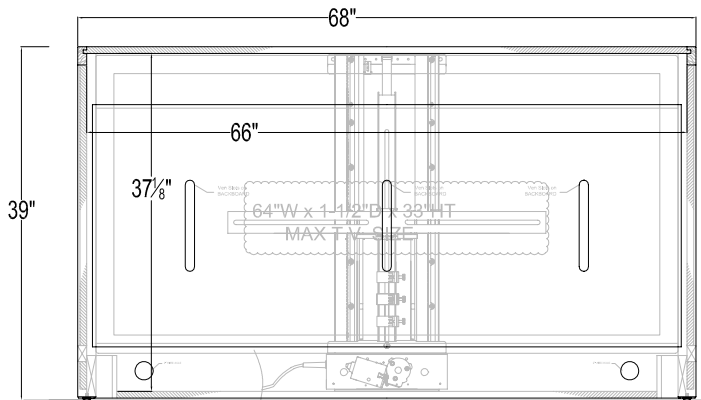
Dynasty Brown

TV Lift Cabinet

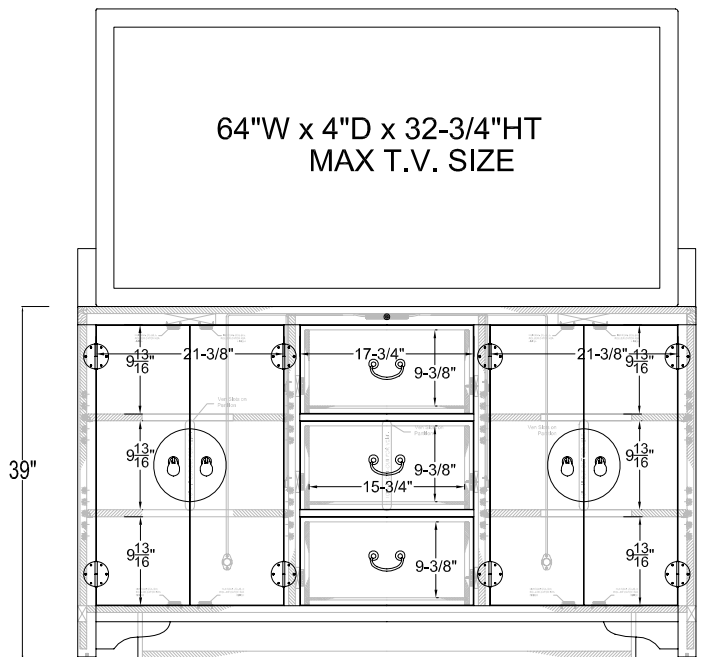
Dimension Drawing



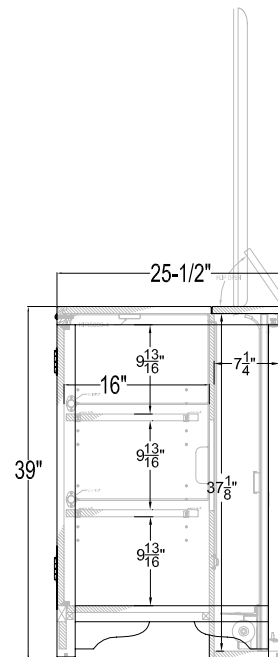
TOP VIEW



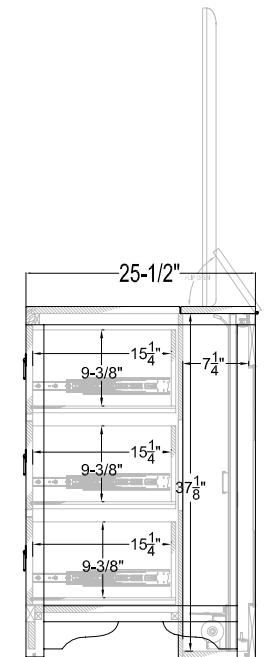
REAR VIEW



FRONT VIEW



SIDE VIEW (SECTION AA)



SIDE VIEW (SECTION BB)

Dynasty Red

TV Lift Cabinet

Cabinet Features:

- Made in USA.
- Made of solid Maple wood.
- Ships fully assembled.
- Max. AV equipment size: 21" x 16".
- Two panel doors on sides and three equal drawers.
- Two ventilated adjustable shelves behind doors.
- Pre-installed IR (Infrared) and emitters.
- Solid brass hardware.
- Fully ventilated backs to allow for generous air circulation.

Lift Features:

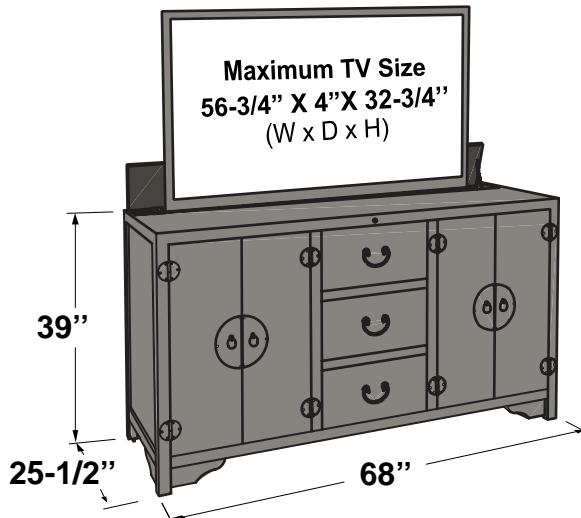
- Fully assembled and pre-installed.
- 1 year in home parts and labor warranty.
- Radio Frequency Remote.
- Thermal overload protection.
- Certified Crestron Intergrated Partner.
- AMX Certified Partner.
- Built in safety features.
- Universal TV mounting bracket included.
- Pre-installed heavy-duty rack and pinion drive system.
- Smooth and stable travel.
- Nearly silent operation.
- Welded steel construction.
- Thermal overload protection.
- Manual controls included, Patent pending.



Infrared relay system provides a window from your handheld remotes to your TV and audio components even though they are concealed inside the cabinet. No programming required!



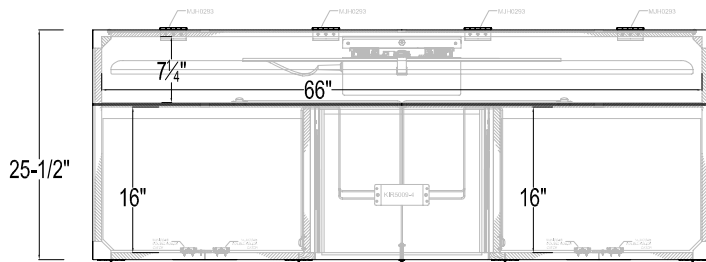
Radio frequency remote for operating TV lift mechanism



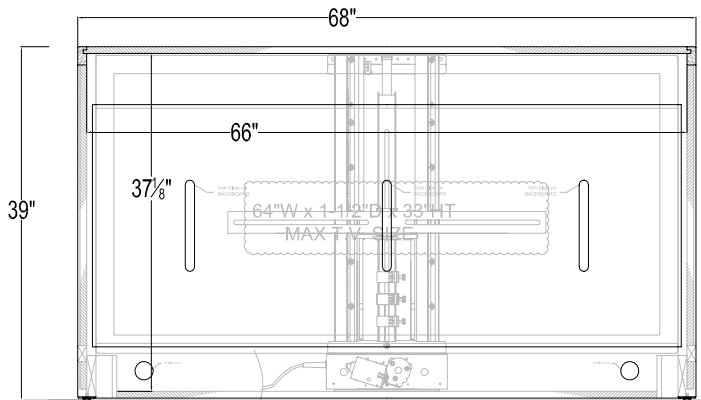
Dynasty Red

TV Lift Cabinet

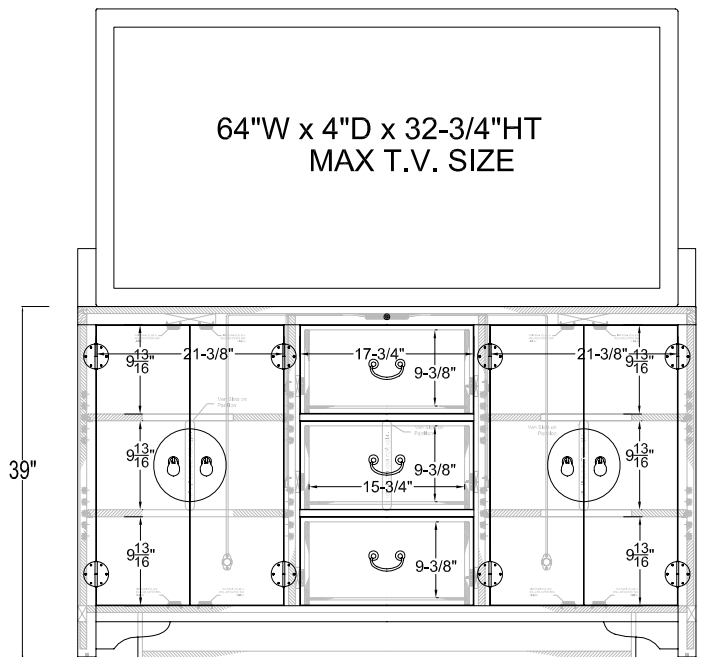
Dimension Drawing



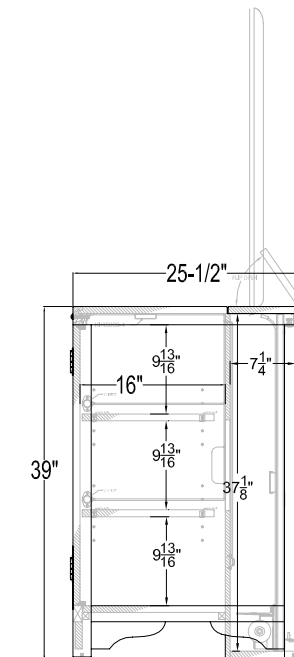
TOP VIEW



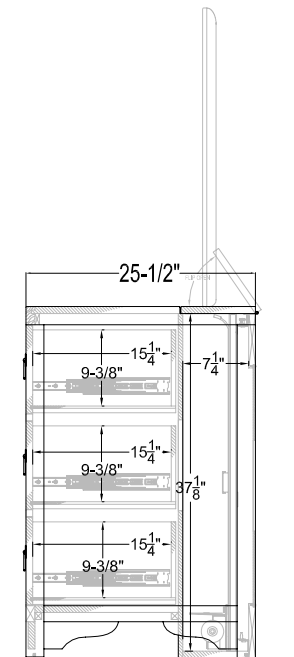
REAR VIEW



FRONT VIEW



SIDE VIEW (SECTION AA)

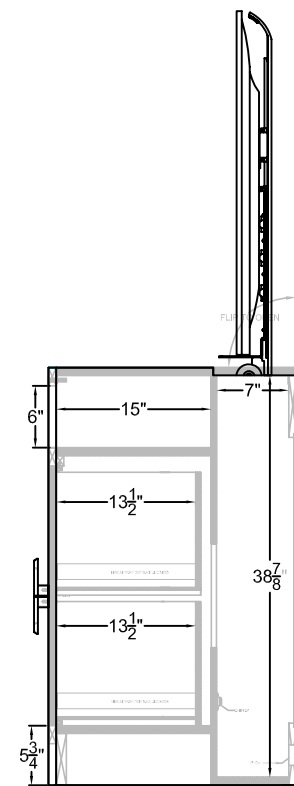
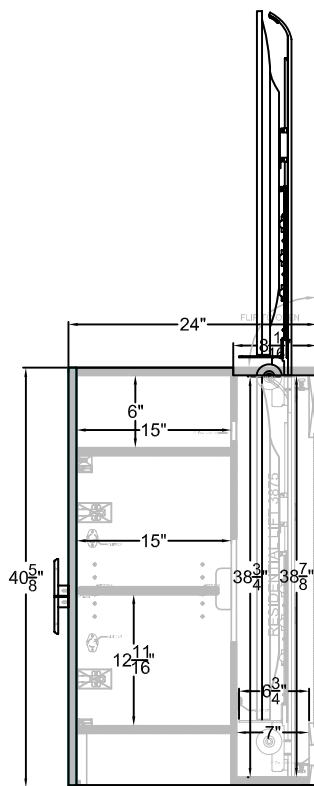
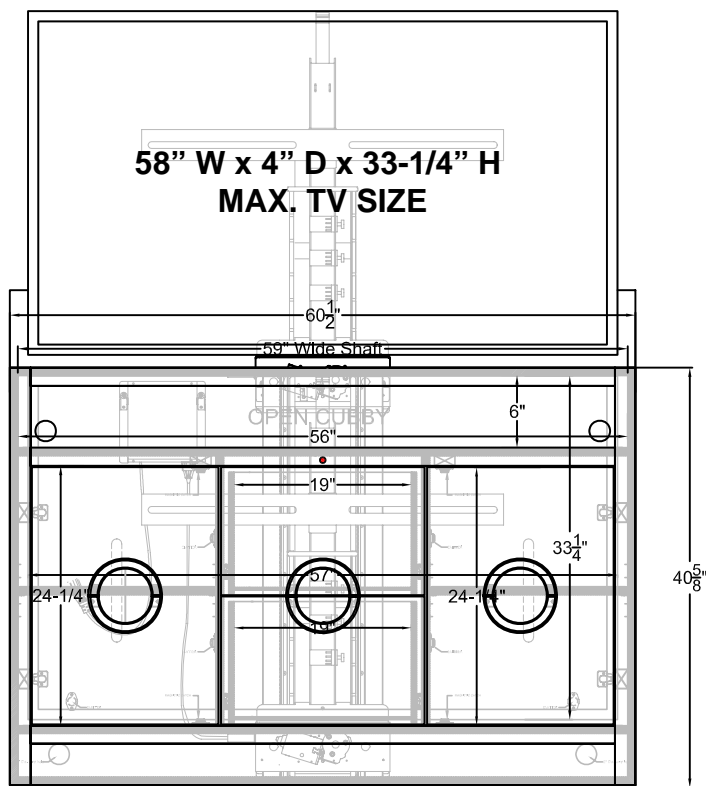
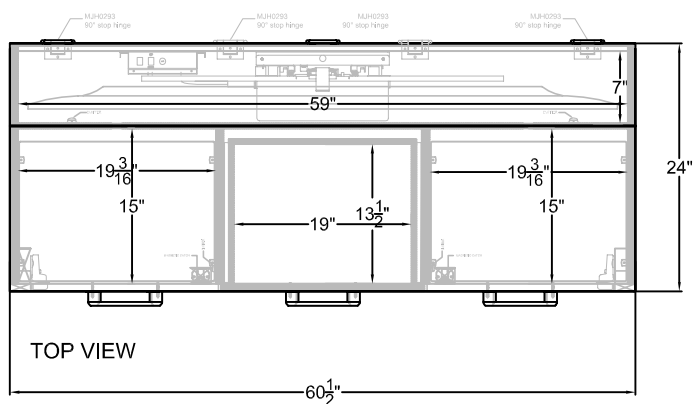


SIDE VIEW (SECTION BB)

Enclave-Grey

TV Lift Cabinet

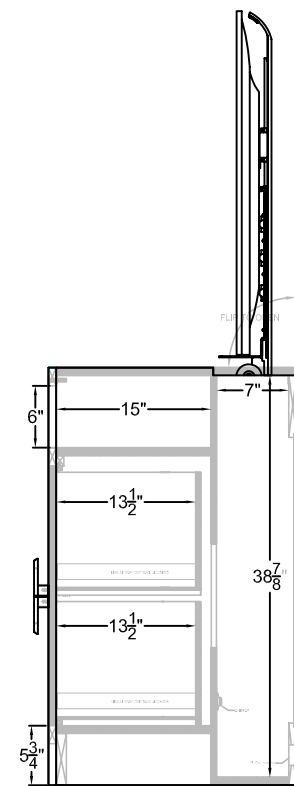
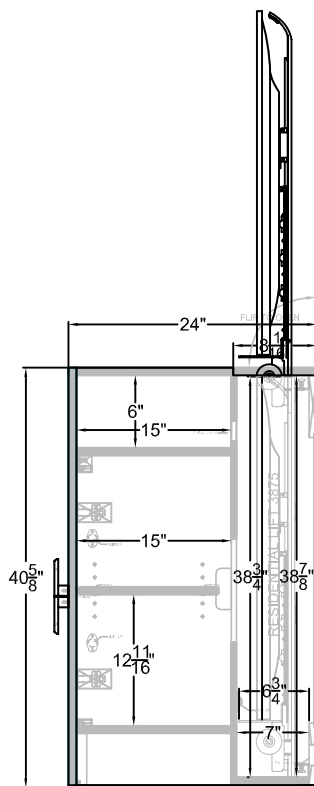
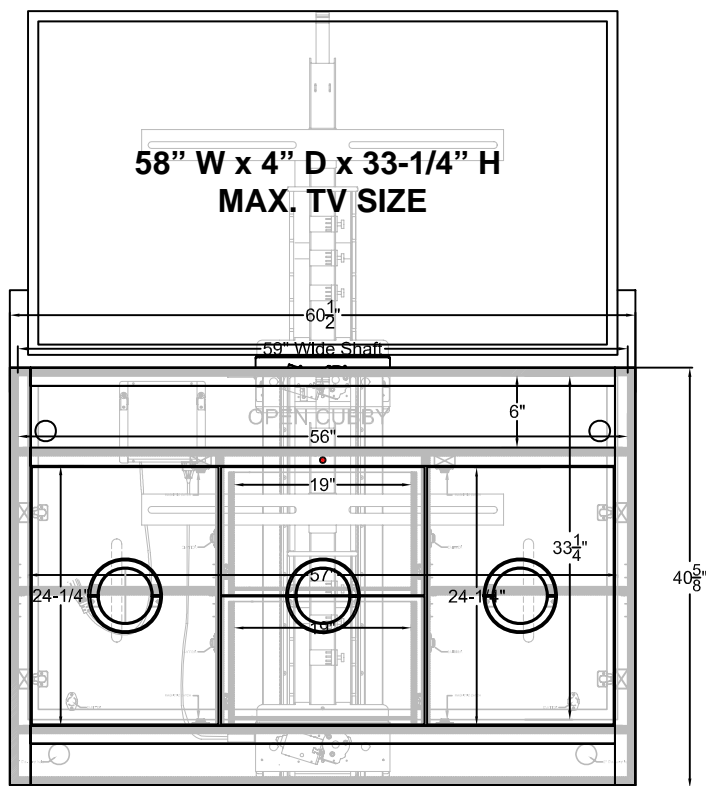
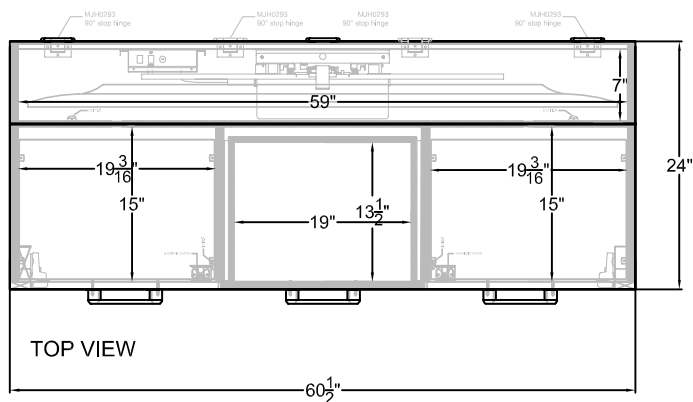
Dimension Drawing



Enclave-Grey

TV Lift Cabinet

Dimension Drawing



Estancia

TV Lift Cabinet

Cabinet Features:

- Made in USA.
- Ships fully assembled.
- Max. AV equipment size: 18" x 15-1/2" x 7-1/2".
- Dentil moldings underneath top.
- Made of solid Maple wood.
- Three solid framed doors.
- Two ventilated adjustable shelves behind doors.
- Solid brass pendant pulls in antique finish.
- Pre-installed IR (Infrared) and emitters.
- Open cubby for soundbars and accessories.
- Fully ventilated backs to allow for generous air circulation.

Lift Features:

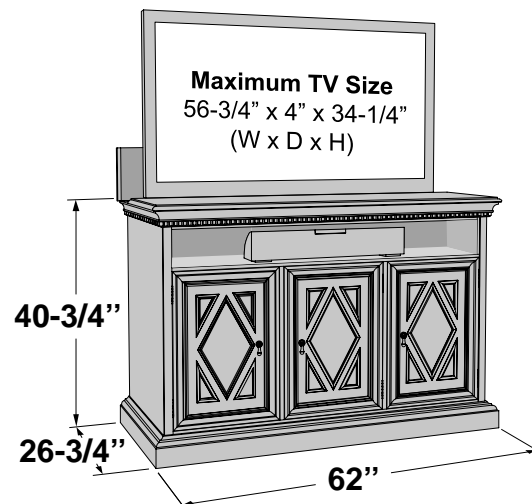
- Fully assembled and pre-installed.
- 1 year in home parts and labor warranty.
- Radio Frequency Remote.
- Thermal overload protection.
- Certified Crestron Intergrated Partner.
- Built in safety features.
- Universal TV mounting bracket included.
- Pre-installed heavy-duty rack and pinion drive system.
- Smooth and stable travel.
- Nearly silent operation.
- Welded steel construction.
- Thermal overload protection.
- Manual controls included, Patent pending.



Infrared relay system provides a window from your handheld remotes to your TV and audio components even though they are concealed inside the cabinet. No programming required!



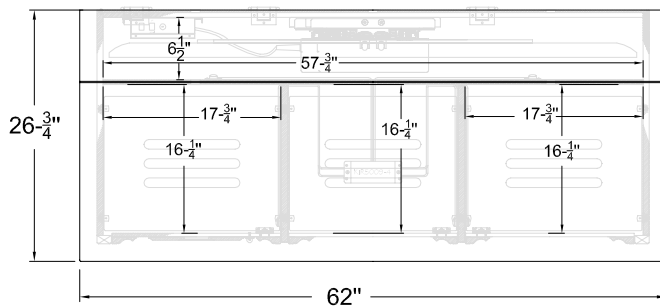
Radio frequency remote for operating TV lift mechanism



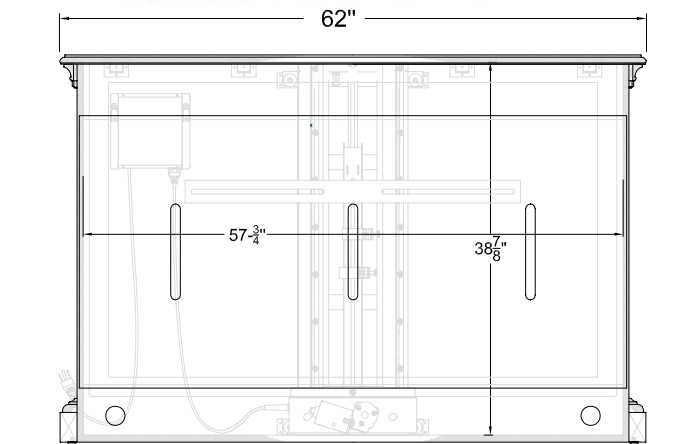
Estancia

TV Lift Cabinet

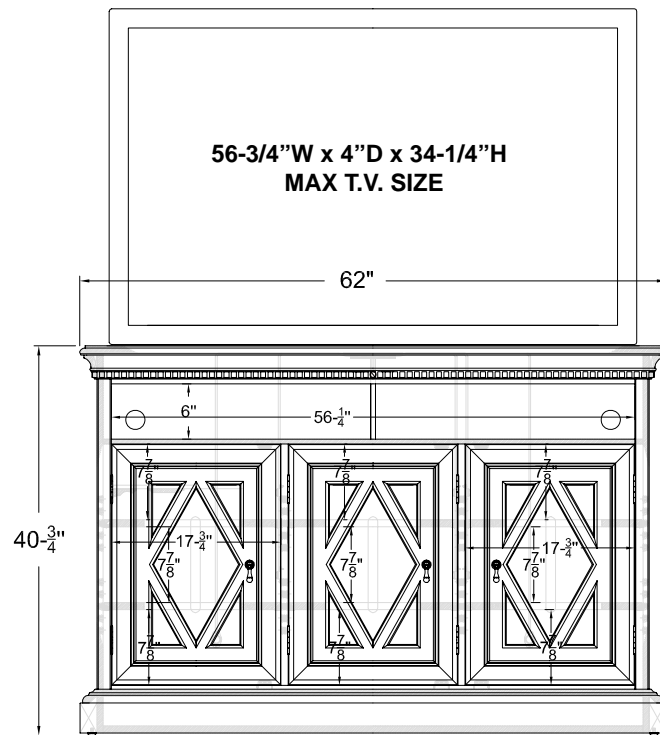
Dimension Drawing



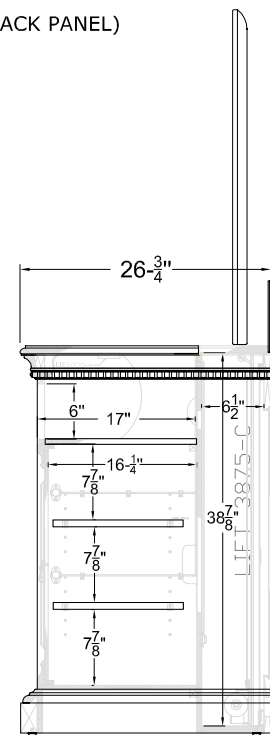
TOP VIEW



REAR VIEW(BACK PANEL)



FRONT VIEW



SIDE VIEW

56-3/4"W x 4"D x 34-1/4"H
MAX T.V. SIZE

Farmhouse

TV Lift Cabinet

Cabinet Features:

- Handcrafted in the USA by our Amish craftsmen.
- Made of solid Maple wood.
- Fully assembled.
- 4-Solid wood swing doors with solid brass hardware.
- 4-Adjustable wooden shelves
- Complete with built-in infrared relay system.
- Full 1 year in-home warranty.
- Max. TV Size: 54" x 3-1/2" x 33".
- Max. Loading Weight: 80 pounds.
(most 46" TV's weigh 40-50 pounds)



Shown closed

Shown open

Lift Features:

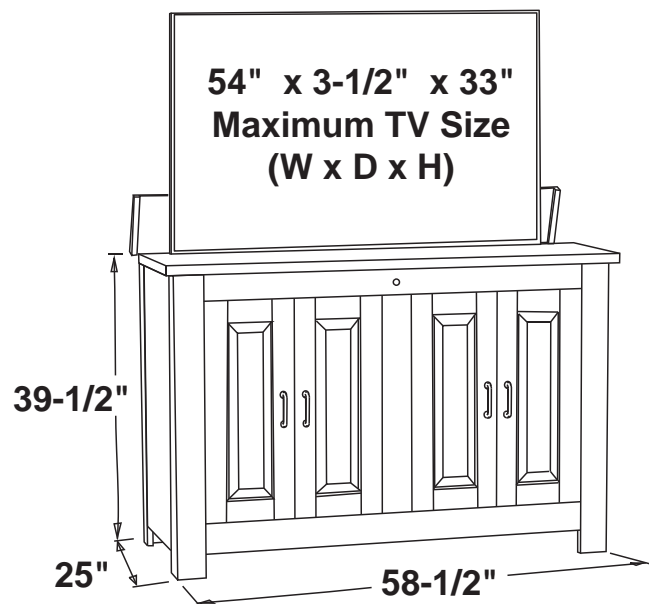
- Fully assembled & pre-installed.
- Accommodates all CURVED TV's.
- 1 year in home parts and labor warranty.
- Universal TV mounting bracket included.
- Radio Frequency Remote.
- Heavy-duty rack and pinion drive system.
- Smooth and stable travel.
- Nearly silent operation.
- Welded steel construction.
- Thermal overload protection.
- Built-in wire management.
- Patent Pending.



Infrared relay system provides a window from your handheld remotes to your TV and audio components even though they are concealed inside the cabinet. No programming required!



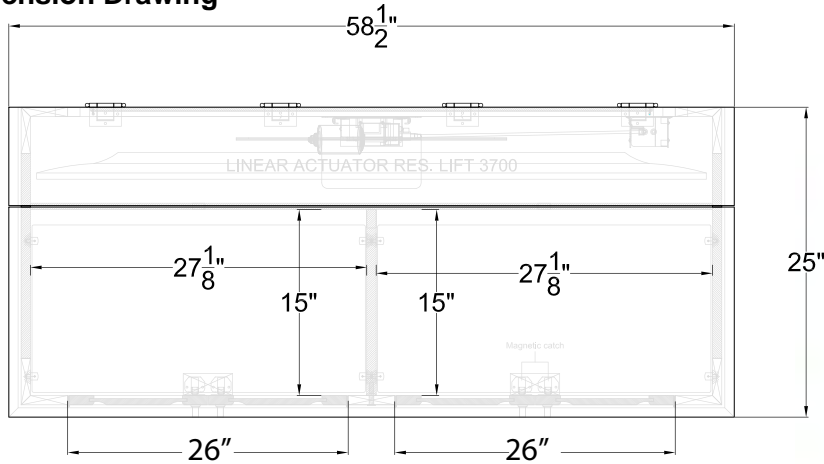
Radio frequency remote for operating TV lift mechanism



Farmhouse

TV Lift Cabinet

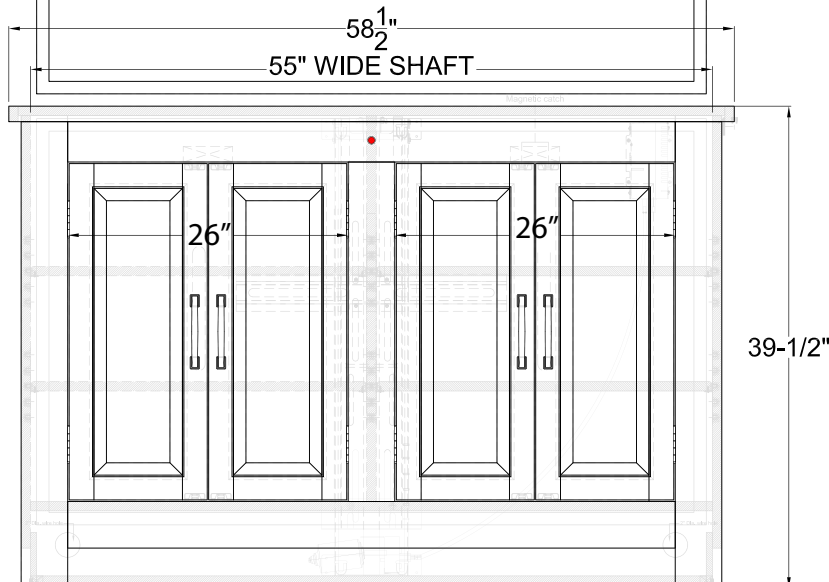
Dimension Drawing



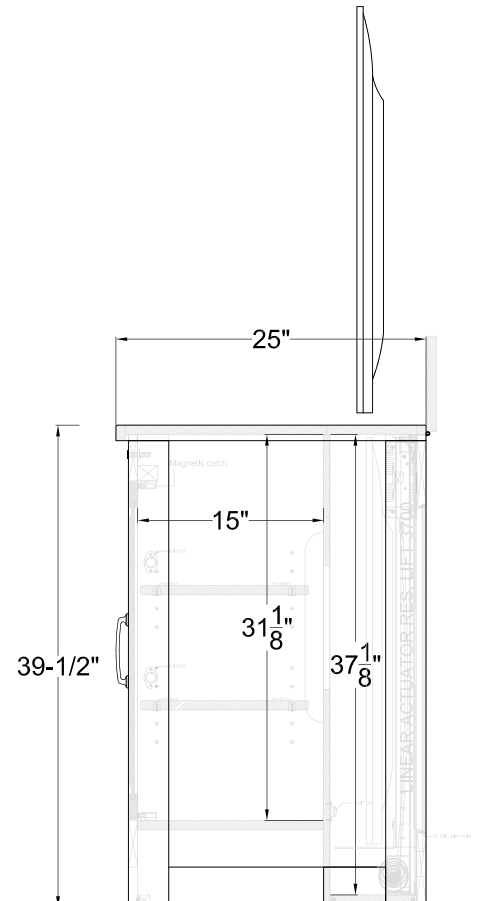
TOP VIEW



54" x 3-1/2" x 33"
Maximum TV Size
(W x D x H)



FRONT VIEW



SIDE VIEW

Harbor Michaels Finish

TV Lift Cabinet

Cabinet Features:

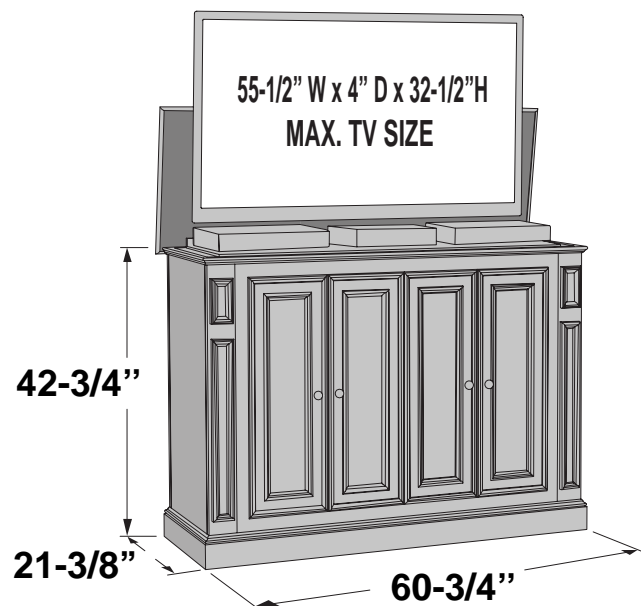
- Made with solid, Maple wood.
- Fully assembled.
- Full 1 year in-home warranty.
- Max. TV Size: 55-1/2" x 4" x 32-1/2".
- Max. Loading Weight: 80 pounds (most 40" - 60" TV's weigh 35-60 pounds)
- Max. Lift Equipment Depth: 13-1/4" for wire management.
- Lift: Rack and pinion – UL Recognized

Lift Features:

- Fully assembled & pre-installed.
- 1 year in home parts and labor warranty.
- Radio Frequency Remote.
- Universal TV mounting bracket & TV mounting hardware included.
- Heavy-duty rack and pinion drive system.
- Smooth and stable travel.
- Nearly silent operation.
- Welded steel construction.
- Built-in wire management.
- Patent Pending.



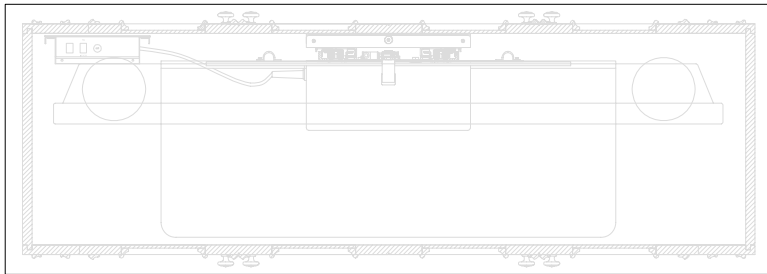
Radio frequency remote for operating TV lift mechanism



Harbor Michaels Finish

TV Lift Cabinet

Dimension Drawing



21

TOP VIEW

60³/₄"



**55-1/2" W x 4" D x 32-1/2"H
MAX. TV SIZE**

60³/₄"

58"

42³/₄"

21³/₈"

16³/₄"

41¹/₄"

13¹/₂"

FRONT VIEW

SIDE VIEW

Harbor Rich Tobacco

TV Lift Cabinet

Cabinet Features:

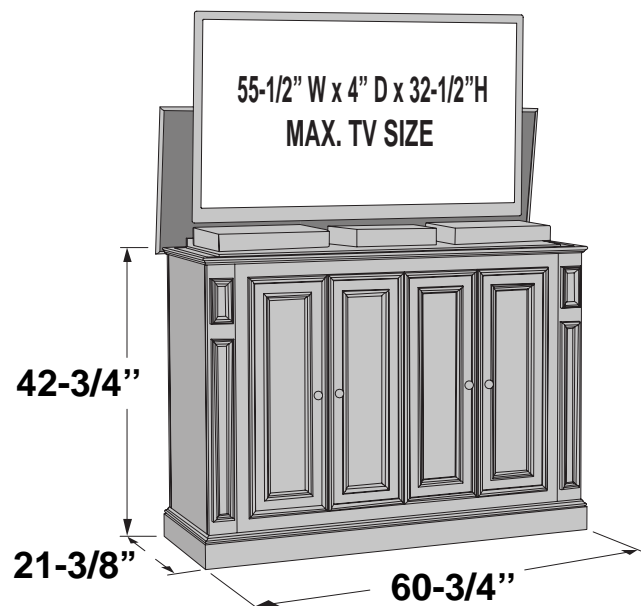
- Made with solid, Maple wood.
- Fully assembled.
- Full 1 year in-home warranty.
- Max. TV Size: 55-1/2" x 4" x 32-1/2".
- Max. Loading Weight: 80 pounds (most 40" - 60" TV's weigh 35-60 pounds)
- Max. Lift Equipment Depth: 13-1/4" for wire management.
- Lift: Rack and pinion – UL Recognized

Lift Features:

- Fully assembled & pre-installed.
- 1 year in home parts and labor warranty.
- Radio Frequency Remote.
- Universal TV mounting bracket & TV mounting hardware included.
- Heavy-duty rack and pinion drive system.
- Smooth and stable travel.
- Nearly silent operation.
- Welded steel construction.
- Built-in wire management.
- Patent Pending.



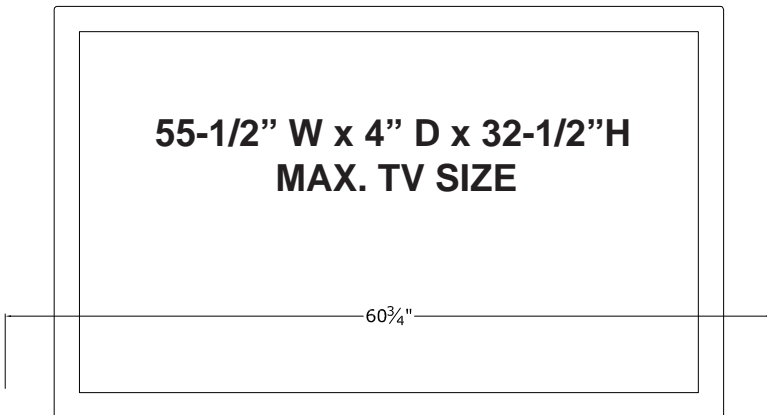
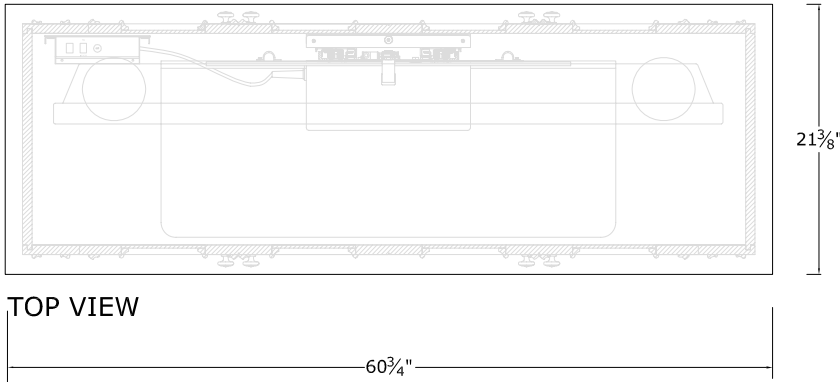
Radio frequency remote for operating TV lift mechanism



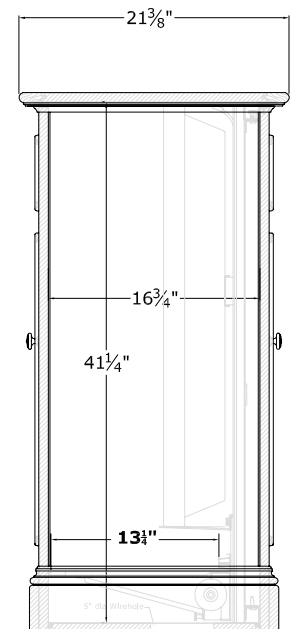
Harbor Rich Tobacco

TV Lift Cabinet

Dimension Drawing



FRONT VIEW



SIDE VIEW

Harbor White

TV Lift Cabinet

Cabinet Features:

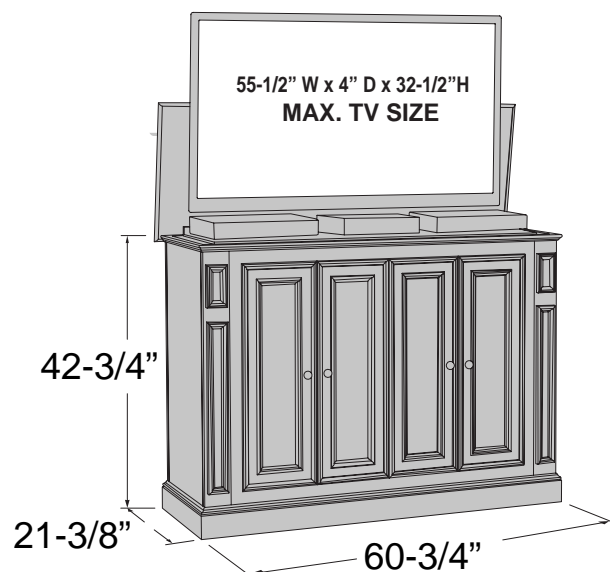
- Made with solid, Maple wood.
- Fully assembled.
- Full 1 year in-home warranty.
- Max. TV Size: 55-1/2" x 4" x 32-1/2".
- Max. Loading Weight: 80 pounds (most 40" - 60" TV's weigh 35-60 pounds)
- Max. Lift Equipment Depth: 13-1/4" for wire management.
- Lift: Rack and pinion – UL Recognized

Lift Features:

- Fully assembled & pre-installed.
- 1 year in home parts and labor warranty.
- Radio Frequency Remote.
- Universal TV mounting bracket & TV mounting hardware included.
- Heavy-duty rack and pinion drive system.
- Smooth and stable travel.
- Nearly silent operation.
- Welded steel construction.
- Built-in wire management.
- Patent Pending.



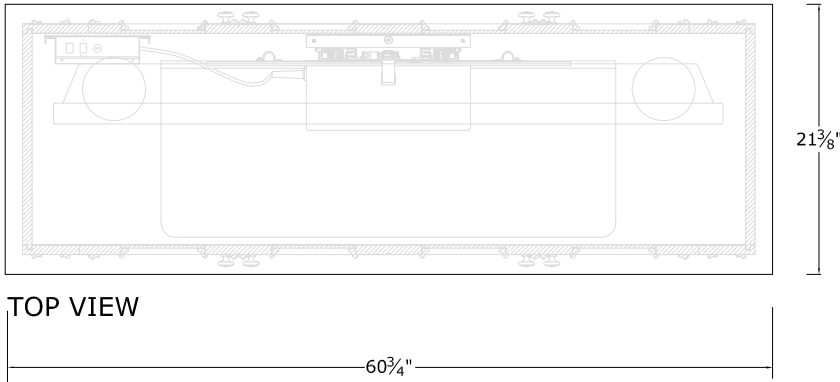
Radio frequency remote for operating TV lift mechanism



Harbor White

TV Lift Cabinet

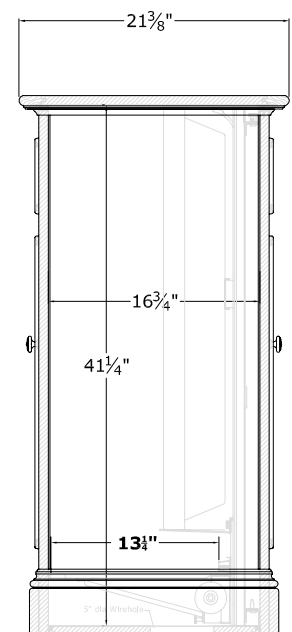
Dimension Drawing



**55-1/2" W x 4" D x 32-1/2"H
MAX. TV SIZE**



FRONT VIEW



SIDE VIEW

Linear

TV Lift Cabinet

Cabinet Features:

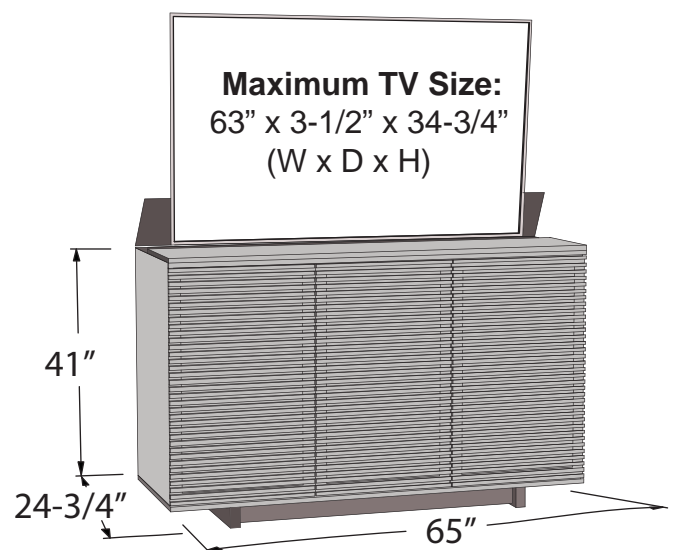
- Handcrafted in the USA
- Made of solid Maple wood.
- Built-in sound bar compartment.
- 2-Adjustable wooden shelves behind doors.
- Fully assembled.
- Full 1 year in-home warranty.
- Pre-installed heavy-duty television lift.
- Spacious door openings allowing easy access to equipment.
- Interior cord-slots to organize media cables.

Lift Features:

- Fully assembled & pre-installed.
- Accommodates all CURVED TV's.
- 1 year in home parts and labor warranty.
- Universal TV mounting bracket included.
- Radio Frequency Remote.
- Heavy-duty
- Smooth and stable travel.
- Nearly silent operation.
- Welded steel construction.
- Thermal overload protection.
- Built-in wire management.
- Built-in current and sensing outlet.
- Built-in contact closure.

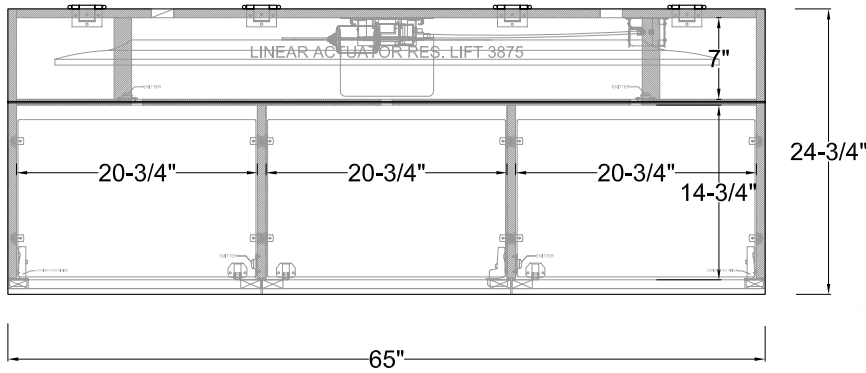


Radio frequency remote.
for operating TV lift mechanism
No programming required!

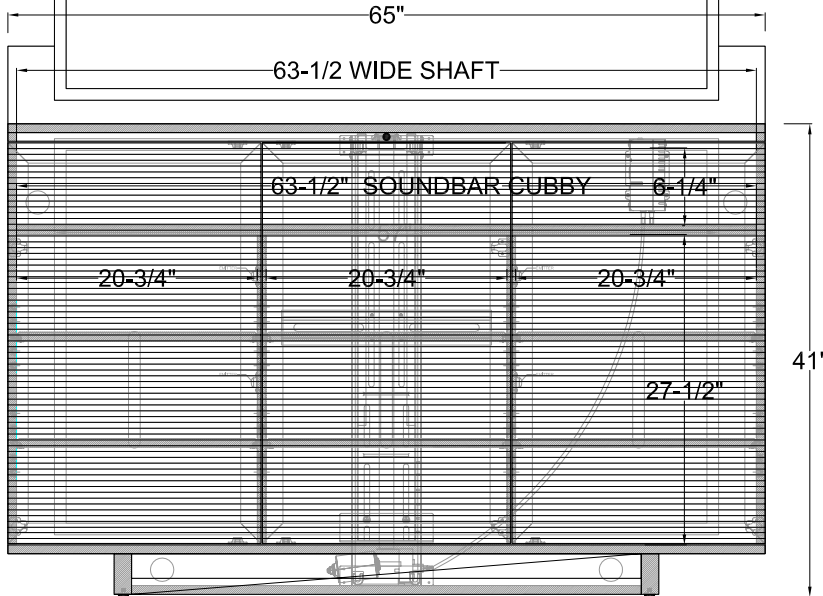
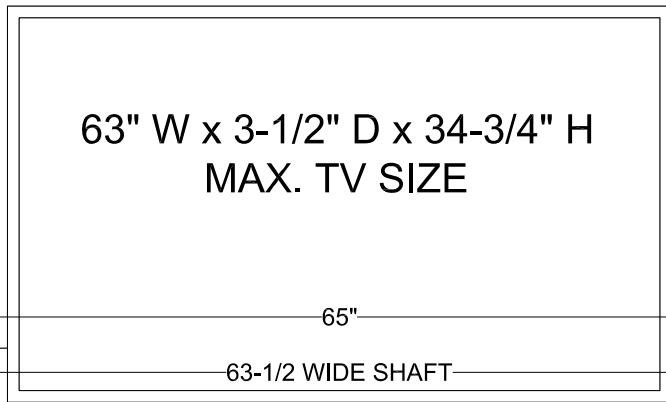


Linear

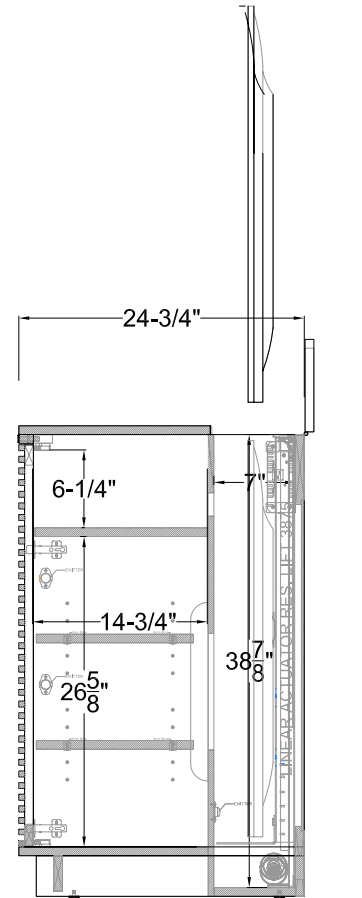
TV Lift Cabinet



TOP VIEW



FRONT VIEW



SIDE VIEW

Linton

TV Lift Cabinet

Cabinet Features:

- Made with solidwood in the USA by Amish craftsmen.
- Ships fully assembled.
- Full 1 year in-home warranty.
- Max. TV Size: 55" x 32" x 4.75".
- Max. Loading Weight: 80 pounds (most 60" TV's weigh 35-60 pounds)
- Max. Lift Equipment Depth: 13.25" + 2" for cords.
- Lift: Rack and pinion – UL Recognized

Lift Features:

- Fully assembled & pre-installed.
- 1 year in home parts and labor warranty.
- Radio Frequency Remote.
- Universal TV mounting bracket & TV mounting hardware included.
- Heavy-duty rack and pinion drive system.
- Smooth and stable travel.
- Nearly silent operation.
- Welded steel construction.
- Built-in wire management.
- Patent Pending.

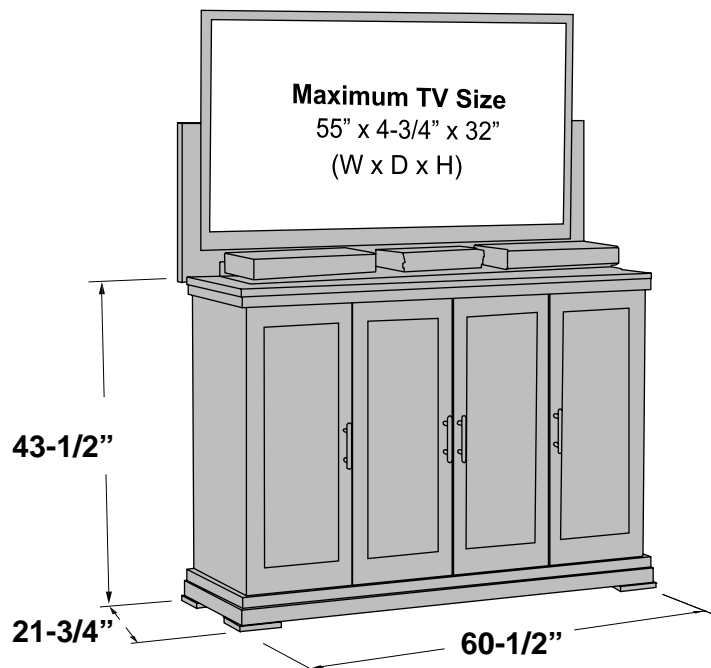


Radio frequency remote for operating TV lift mechanism



Shown closed

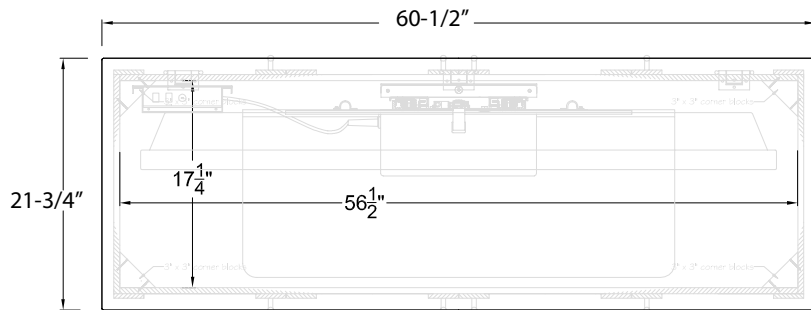
Rear



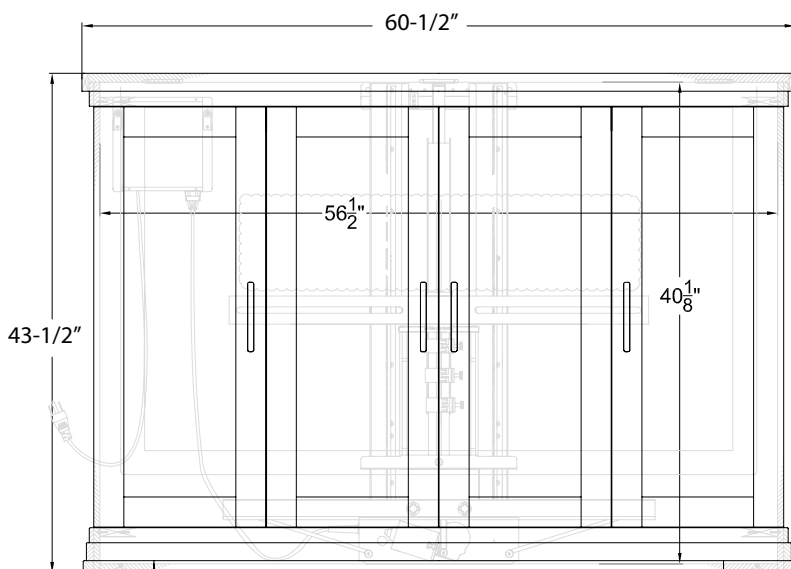
Linton

TV Lift Cabinet

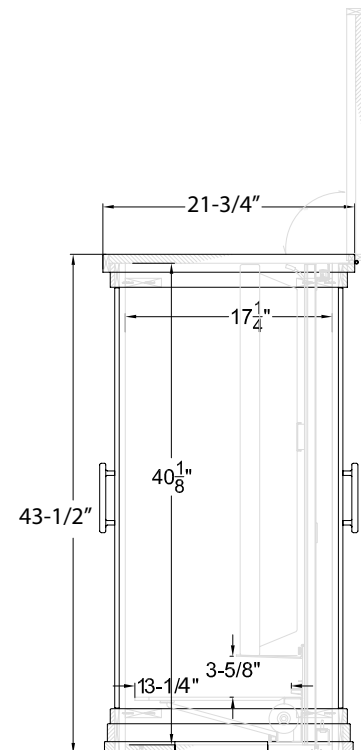
Dimension Drawing



TOP VIEW



FRONT/REAR VIEW



SIDE VIEW

Ming Chest Brown

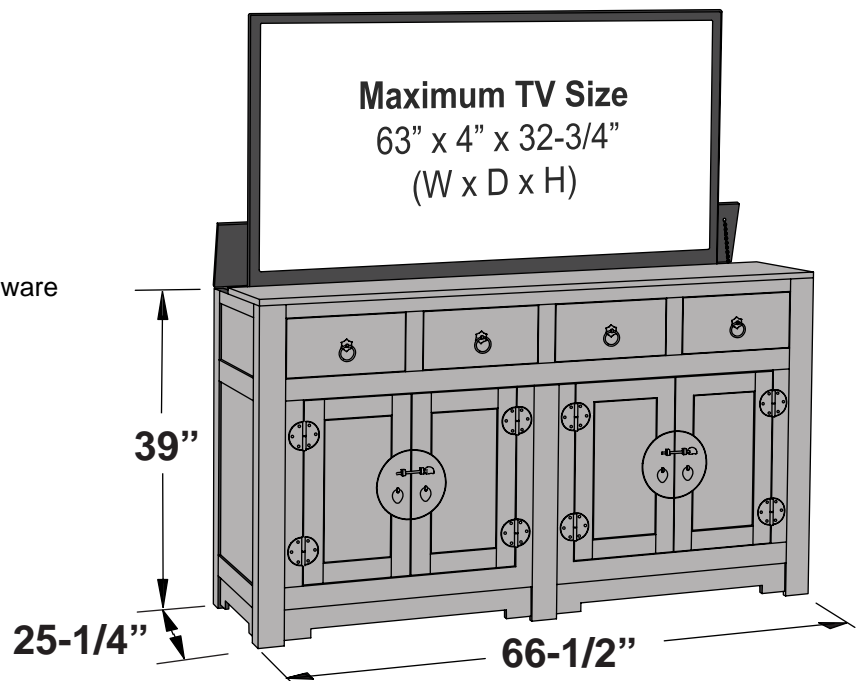
TV Lift Cabinet

- Houses TV's 36-60".
- Maximum TV size of 63" x 4" x 32-3/4".
- Onboard manual controls and surge protection.
- Built-in infrared allows you to control your electronics without having open the doors.
- Built-in contact closure
- One onboard current sensing electrical outlet for your TV on and the lift raises. This works with 95% of all TV's.
- Built-in adjustable floor levelers
- Expertly crafted in the USA by Amish craftsman from solid Maple wood.
- One removable shelf behind both sets of doors and four large drawers above provide ample storage room.
- Aged brown finish.



Lift Features:

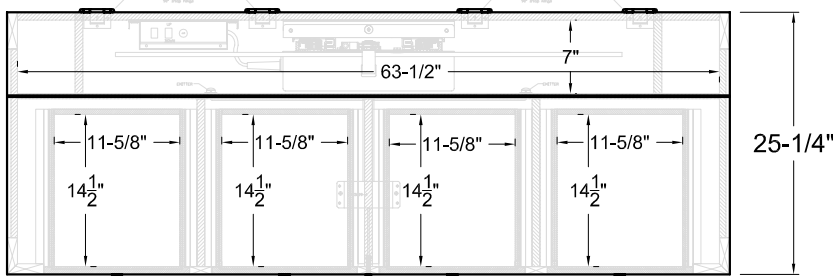
- Fully assembled & pre-installed.
- 1 year in home parts and labor warranty.
- Radio Frequency Remote.
- Universal TV mounting bracket & TV mounting hardware included.
- Heavy-duty rack and pinion drive system.
- Smooth and stable travel.
- Nearly silent operation.
- Welded steel construction.
- Built-in wire management.
- Patent Pending.



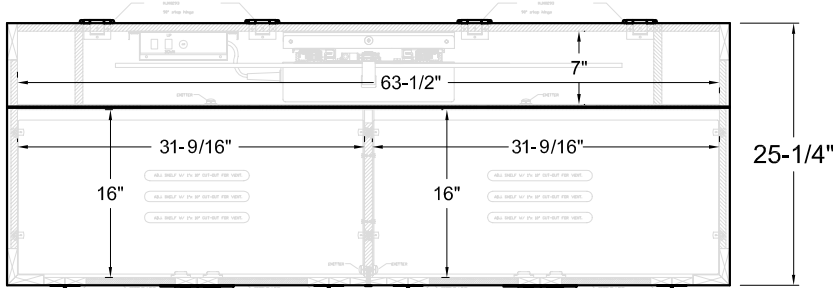
Ming Chest Brown

TV Lift Cabinet

Dimension Drawing



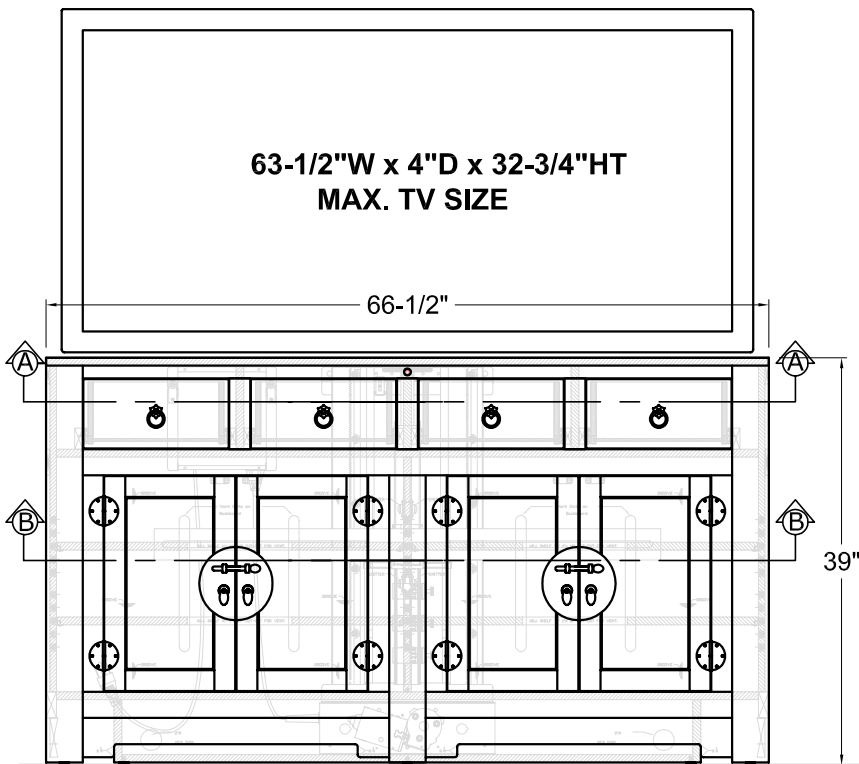
TOP VIEW
(THRU A)



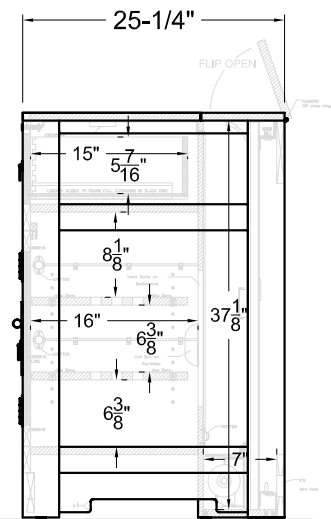
TOP VIEW
(THRU B)



**63-1/2"W x 4"D x 32-3/4"HT
MAX. TV SIZE**



FRONT VIEW



SIDE VIEW

Ming Chest

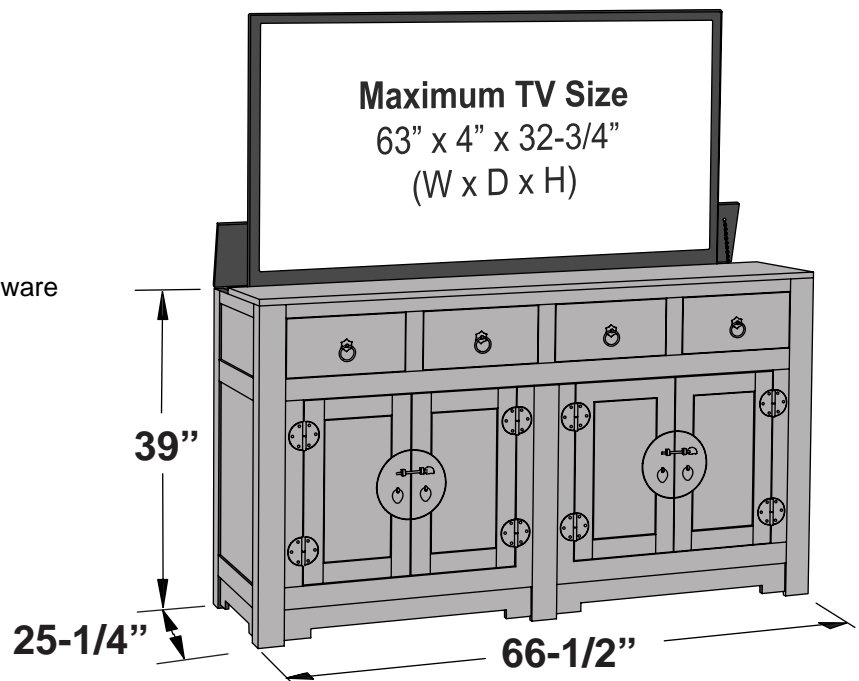
TV Lift Cabinet

- Houses TV's 36-60".
- Maximum TV size of 63" x 4" x 32-3/4".
- Onboard manual controls and surge protection.
- Built-in infrared allows you to control your electronics without having open the doors.
- Built-in contact closure
- Built-in adjustable floor levelers
- One onboard current sensing electrical outlet for your TV on and the lift raises. Turn your TV off and the lift lowers. This works with 95% of all TV's.
- Built-in adjustable floor levelers
- Expertly crafted in the USA by Amish craftsman from solid Maple wood.
- One removable shelf behind booth sets of doors and four large drawer above provide ample storage room.
- Antiqued black finish.



Lift Features:

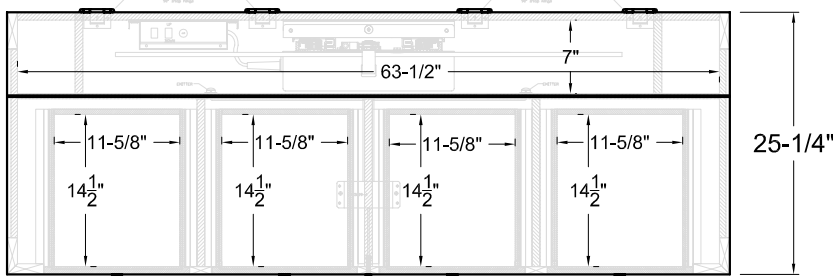
- Fully assembled & pre-installed.
- 1 year in home parts and labor warranty.
- Radio Frequency Remote.
- Universal TV mounting bracket & TV mounting hardware included.
- Heavy-duty rack and pinion drive system.
- Smooth and stable travel.
- Nearly silent operation.
- Welded steel construction.
- Built-in wire management.
- Patent Pending.



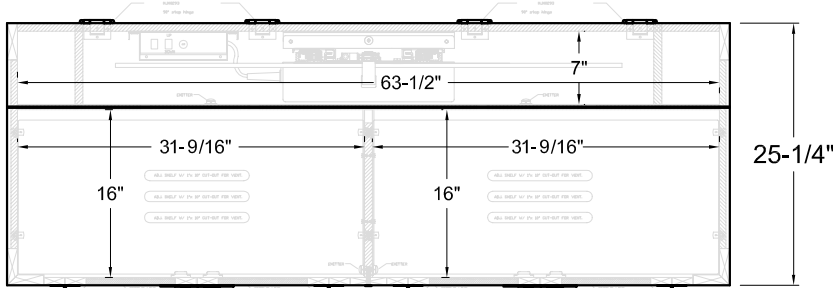
Ming Chest

TV Lift Cabinet

Dimension Drawing



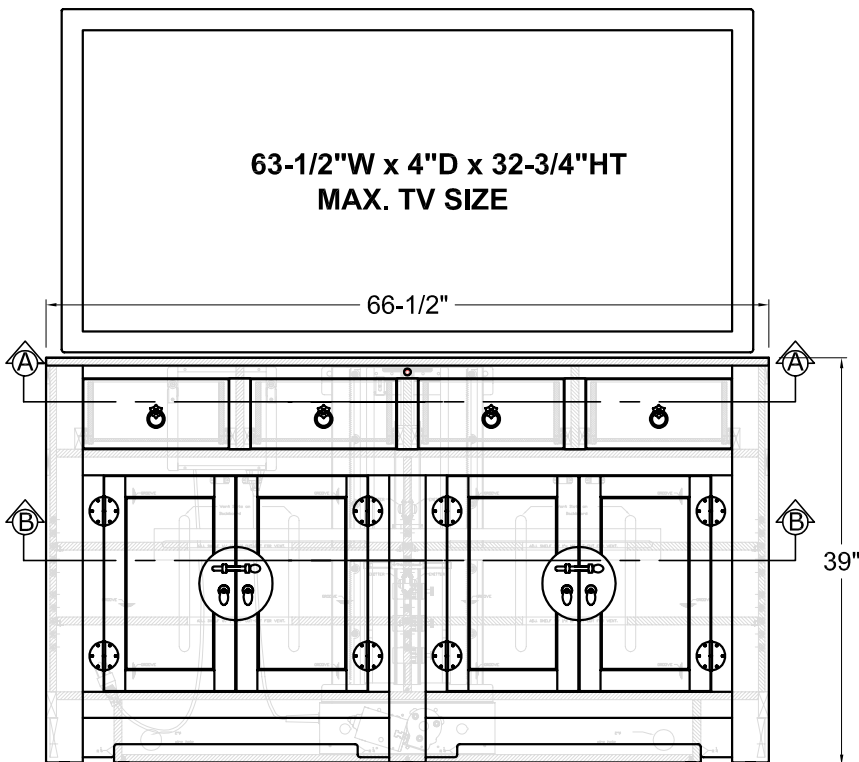
TOP VIEW
(THRU A)



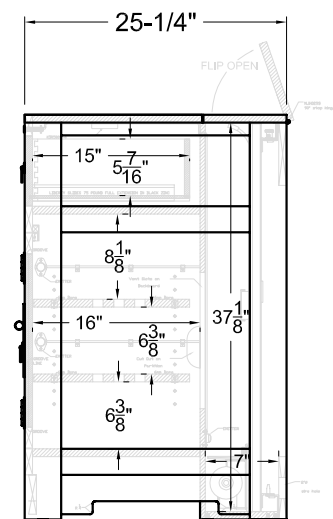
TOP VIEW
(THRU B)



**63-1/2"W x 4"D x 32-3/4"HT
MAX. TV SIZE**



FRONT VIEW



SIDE VIEW

Nantucket Antique White

TV Lift Cabinet

Cabinet Features:

- Made in USA.
- Wooden knobs in antique finish.
- Solid Maple wood.
- 2 adjustable ventilated shelves behind doors.
- Pre -installed IR (Infrared) and emitters.
- Three wooden drawers on ball bearing metal slides.
- Open cubby on top for soundbars and accessories.
- Fully ventilated backs to allow for generous air circulation.

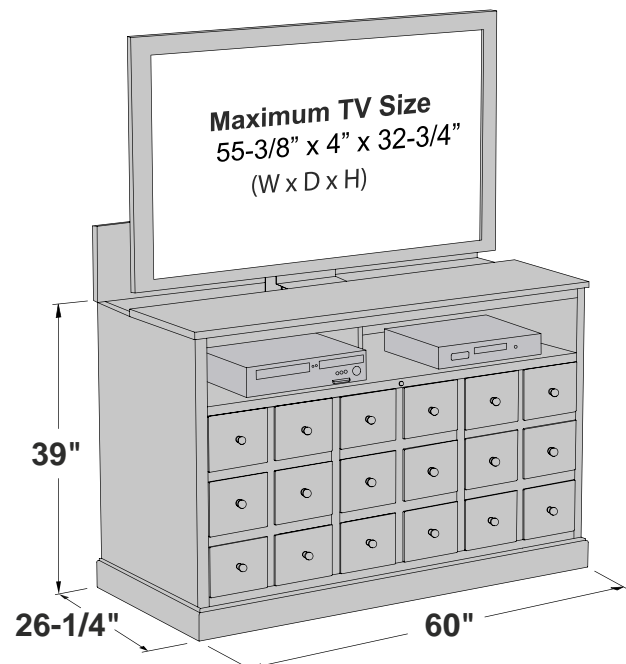
Lift Features:

- Fully assembled and pre-installed.
- 1 year in home parts and labor warranty.
- Radio Frequency Remote.
- Thermal overload protection.
- Certified Crestron Intergrated Partner
- Built in safety features.
- Universal TV mounting bracket included.
- Pre -installed heavy-duty rack and pinion drive system.
- Smooth and stable travel.
- Nearly silent operation.
- Welded steel construction.
- Thermal overload protection.
- Manual controls included, Patent pending.



Shown closed

Shown open



Infrared relay system provides a window from your handheld remotes to your TV and audio components even though they are concealed inside the cabinet. No programming required!

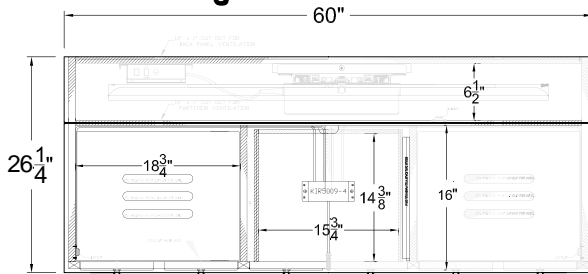


Radio frequency remote for operating TV lift mechanism

Nantucket Antique White

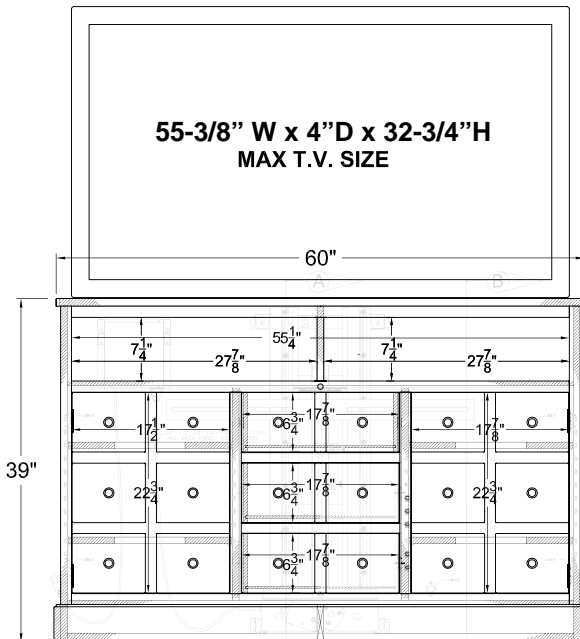
TV Lift Cabinet

Dimension Drawing

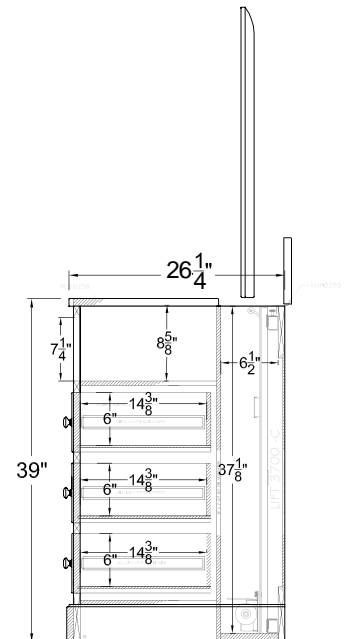


TOP VIEW

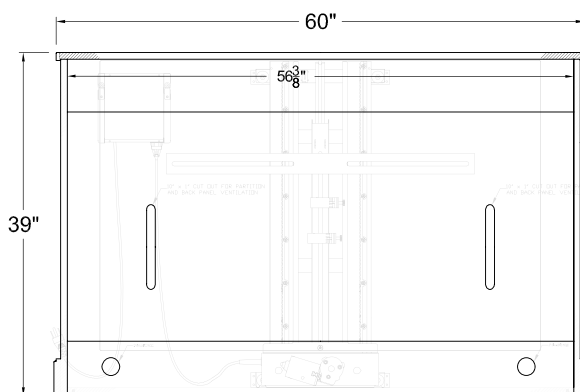
55-3/8" W x 4"D x 32-3/4"H
MAX T.V. SIZE



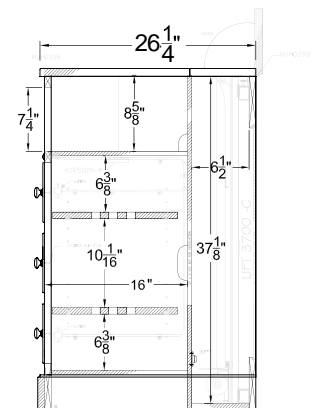
FRONT VIEW



SIDE VIEW SECTION THRU "A"



REAR VIEW



SIDE VIEW SECTION THRU "B"

Nantucket

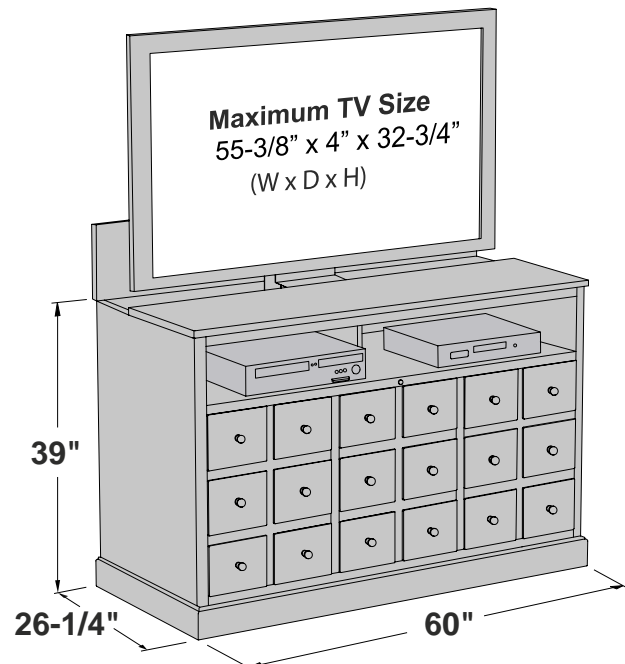
TV Lift Cabinet

Cabinet Features:

- Made in USA.
- Wooden knobs in antique finish.
- Solid Maple wood.
- 2 adjustable ventilated shelves behind doors.
- Pre -installed IR (Infrared) and emitters.
- Three wooden drawers on ball bearing metal slides.
- Open cubby on top for soundbars and accessories.
- Fully ventilated backs to allow for generous air circulation.

Lift Features:

- Fully assembled and pre-installed.
- 1 year in home parts and labor warranty.
- Radio Frequency Remote.
- Thermal overload protection.
- Certified Crestron Intergrated Partner
- Built in safety features.
- Universal TV mounting bracket included.
- Pre -installed heavy-duty rack and pinion drive system.
- Smooth and stable travel.
- Nearly silent operation.
- Welded steel construction.
- Thermal overload protection.
- Manual controls included, Patent pending.



Infrared relay system provides a window from your handheld remotes to your TV and audio components even though they are concealed inside the cabinet. No programming required!

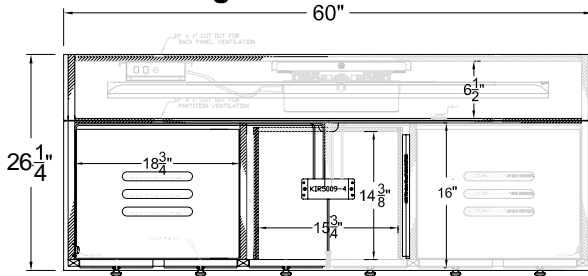


Radio frequency remote for operating TV lift mechanism

Nantucket

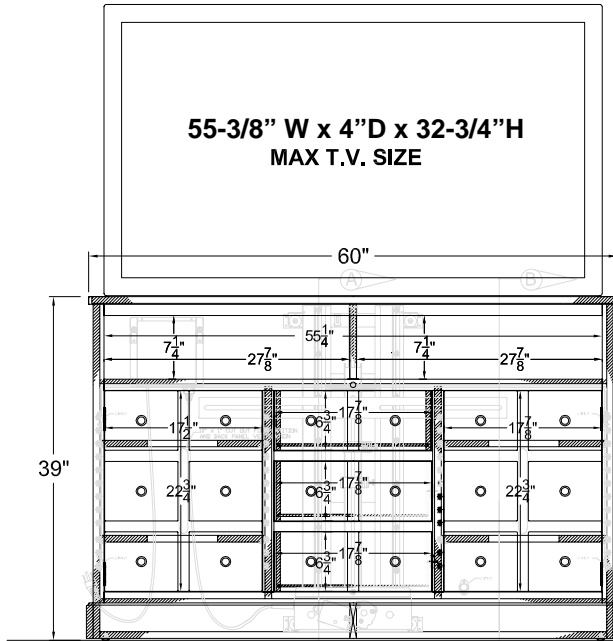
TV Lift Cabinet

Dimension Drawing

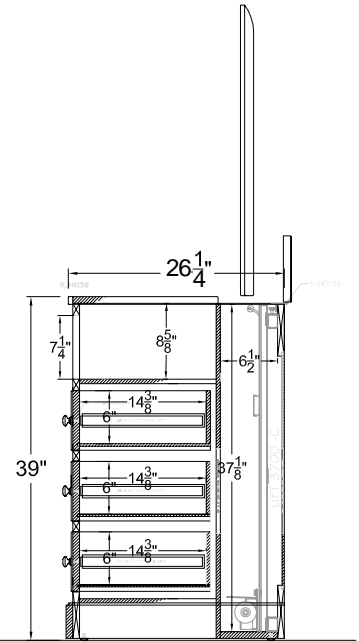


TOP VIEW

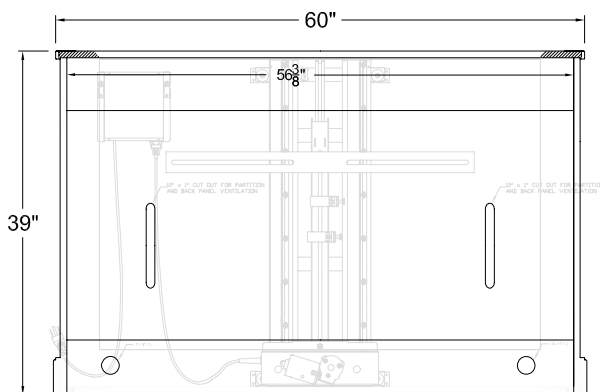
**55-3/8" W x 4"D x 32-3/4"H
MAX T.V. SIZE**



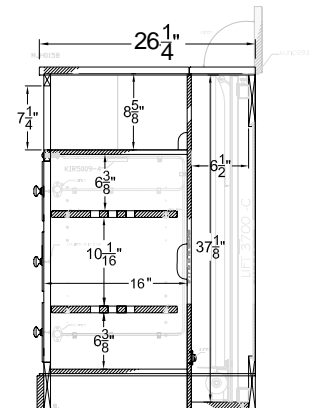
FRONT VIEW



SIDE VIEW SECTION THRU "A"



REAR VIEW



SIDE VIEW SECTION THRU "B"

Notting Hill (Brown)

TV Lift Cabinet (Foot of the Bed Unit)

Lift Features:

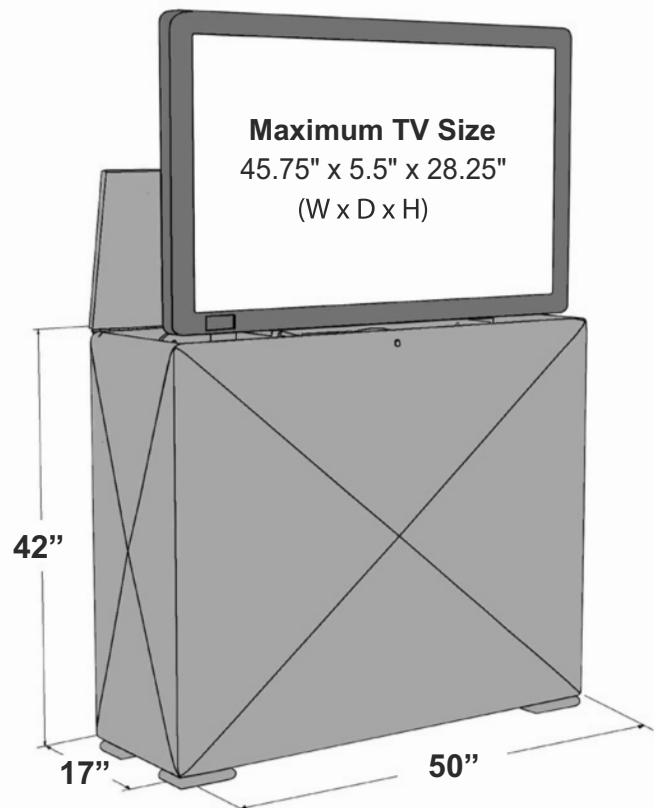
- Fully assembled.
- 1 year in home parts and labor warranty.
- Radio Frequency Remote.
- Universal TV mounting bracket included.
- Auto reversing safety mechanism.
- Heavy-duty rack and pinion drive system.
- Smooth and stable travel.
- Nearly silent operation.
- Welded steel construction.
- Thermal overload protection.
- Built-in wire management.
- Patent Pending.

Cabinet Features:

- Fully assembled.
- Built-in Infrared Relay System.
- Bottom drawer to store electronic devices.
- Fully ventilated to allow for generous air circulation.



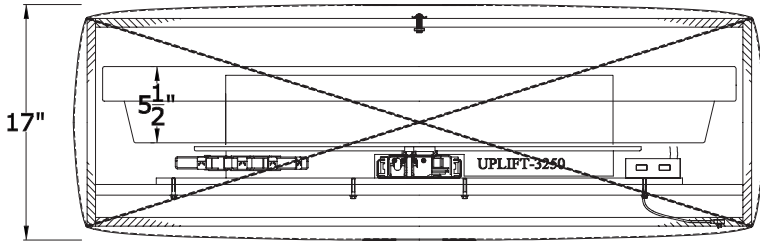
Infrared relay system provides a window from your handheld remotes to your TV and audio components even though they are concealed inside the cabinet. No programming required!



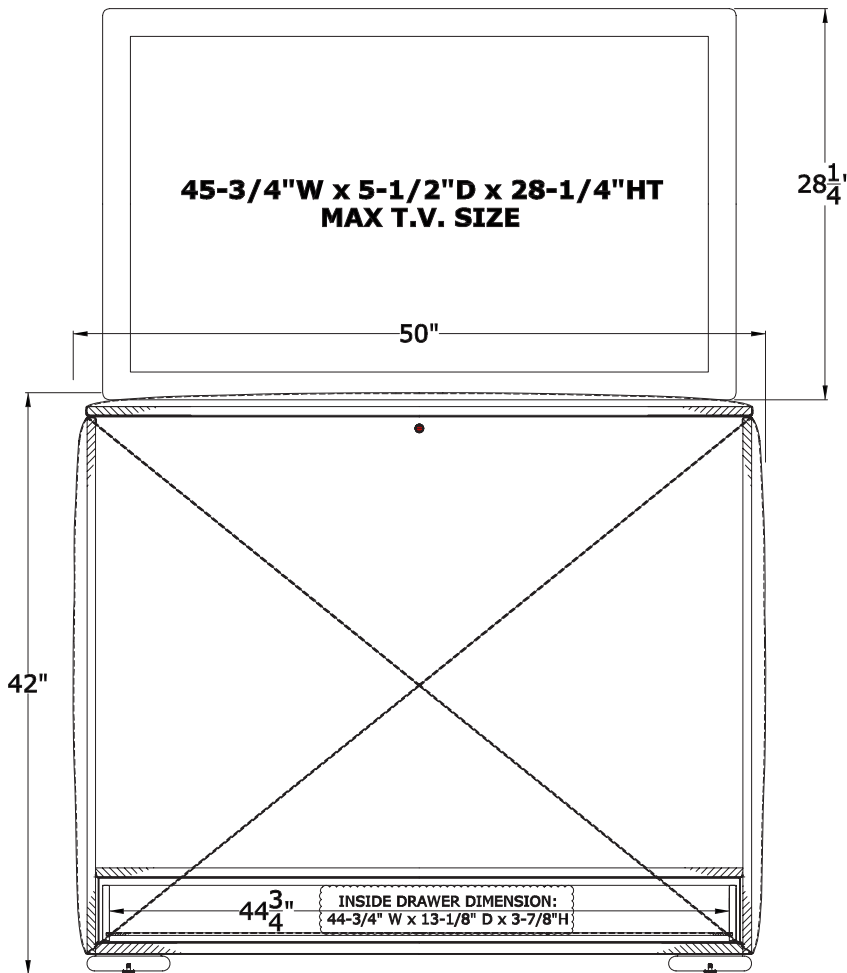
Notting Hill (Brown)

TV Lift Cabinet (Foot of the Bed Unit)

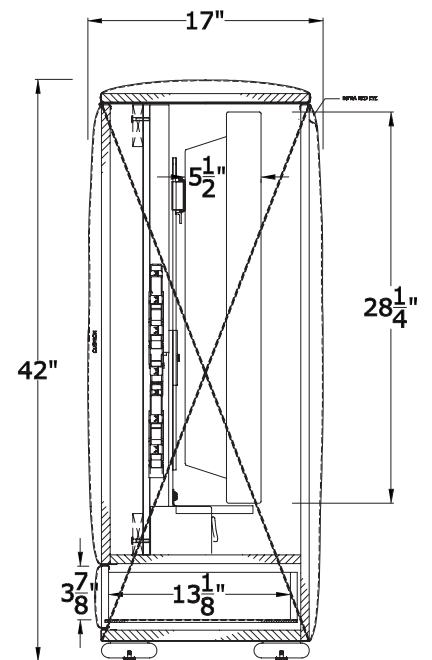
Dimension Drawing



TOP VIEW



FRONT VIEW



SIDE VIEW

Notting Hill (White)

TV Lift Cabinet (Foot of the Bed Unit)

Lift Features:

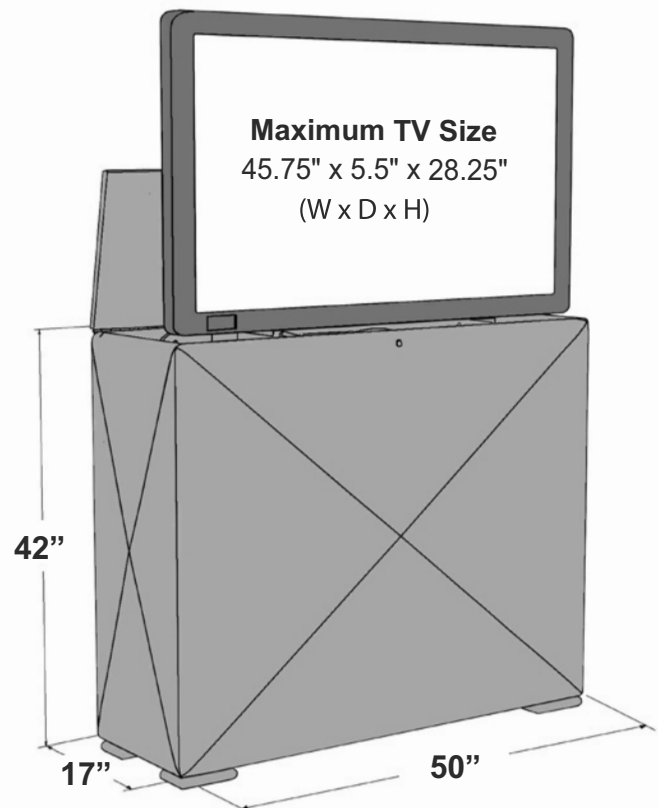
- Fully assembled.
- 1 year in home parts and labor warranty.
- Radio Frequency Remote.
- Universal TV mounting bracket included.
- Auto reversing safety mechanism.
- Heavy-duty rack and pinion drive system.
- Smooth and stable travel.
- Nearly silent operation.
- Welded steel construction.
- Thermal overload protection.
- Built-in wire management.
- Patent Pending.

Cabinet Features:

- Fully assembled.
- Built-in Infrared Relay System.
- Bottom drawer to store electronic devices.
- Fully ventilated to allow for generous air circulation.



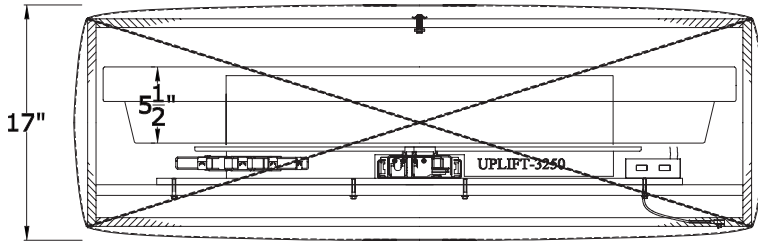
Infrared relay system provides a window from your handheld remotes to your TV and audio components even though they are concealed inside the cabinet. No programming required!



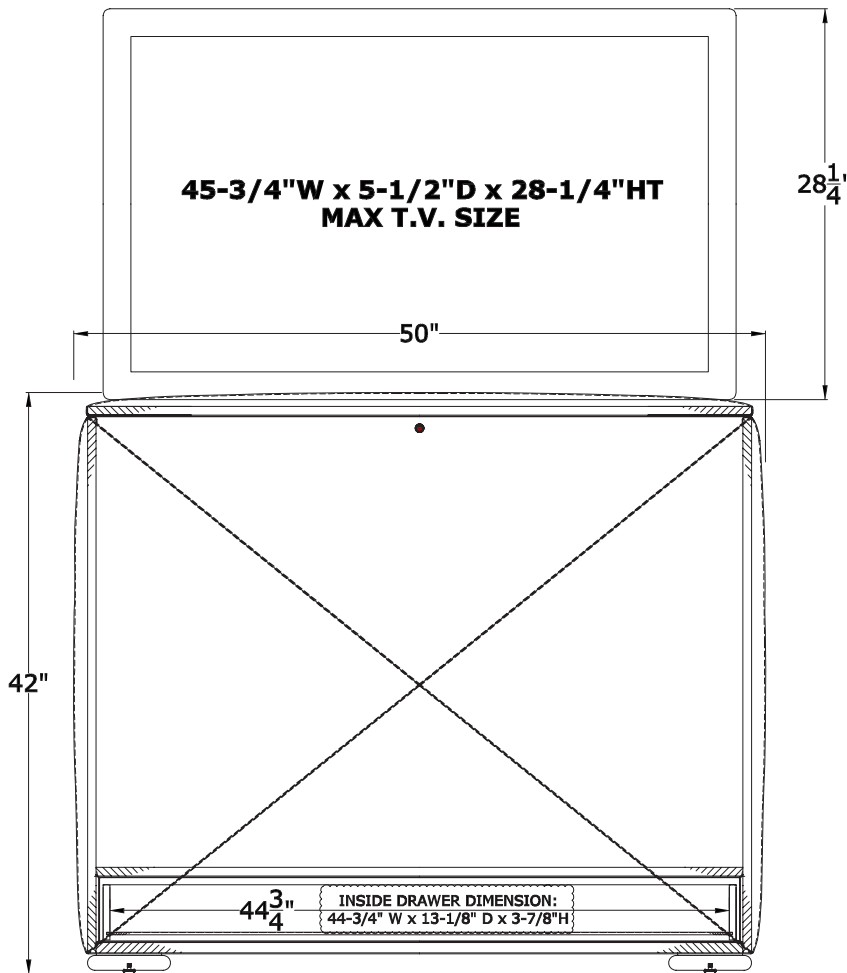
Notting Hill (White)

TV Lift Cabinet (Foot of the Bed Unit)

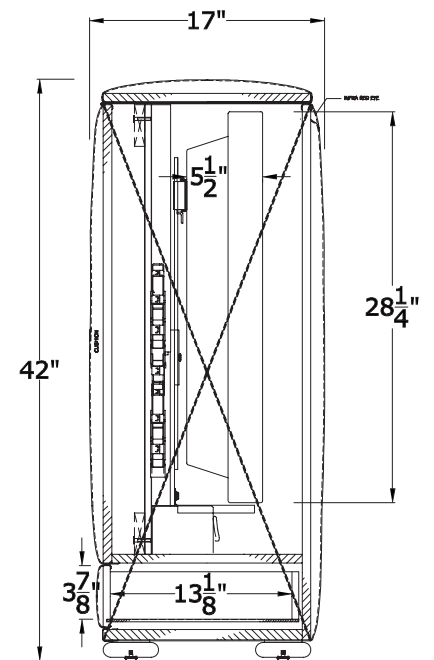
Dimension Drawing



TOP VIEW



FRONT VIEW



SIDE VIEW

Notting Hill XS

TV Lift Cabinet (Foot of the Bed Unit)

Lift Features:

- Fully assembled.
- 1 year in home parts and labor warranty.
- Radio Frequency Remote.
- Universal TV mounting bracket included.
- Auto reversing safety mechanism.
- Heavy-duty rack and pinion drive system.
- Smooth and stable travel.
- Nearly silent operation.
- Welded steel construction.
- Thermal overload protection.
- Built-in wire management.
- Patent Pending.

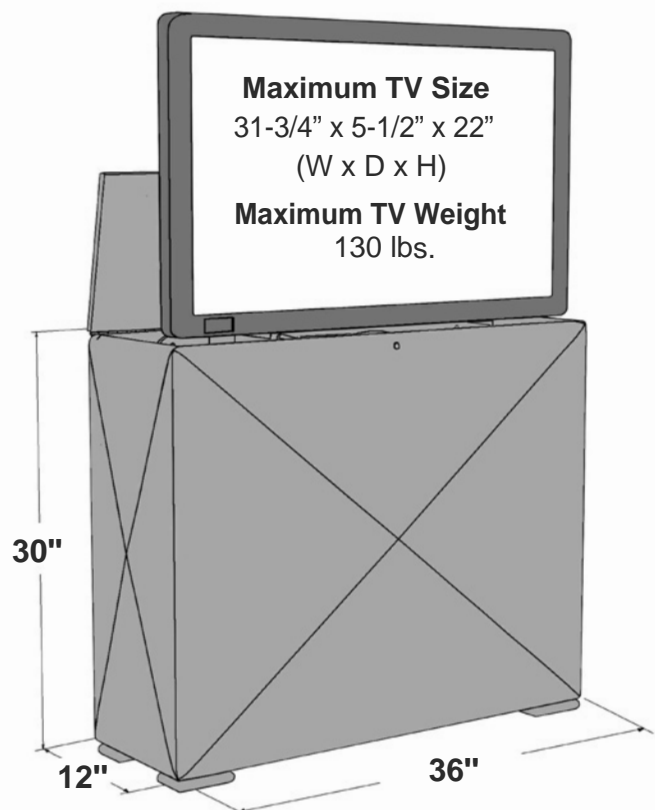


Cabinet Features:

- Fully assembled.
- Built-in Infrared Relay System.
- Fully ventilated to allow for generous air circulation.



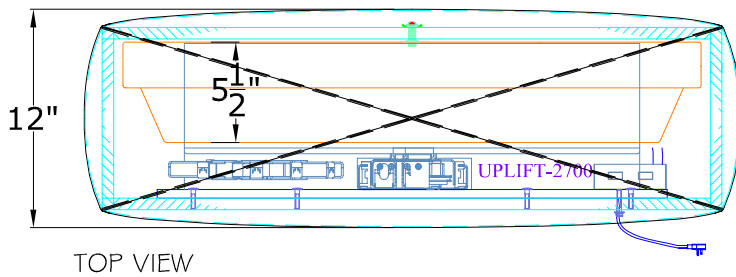
Infrared relay system provides a window from your handheld remotes to your TV and audio components even though they are concealed inside the cabinet. No programming required!



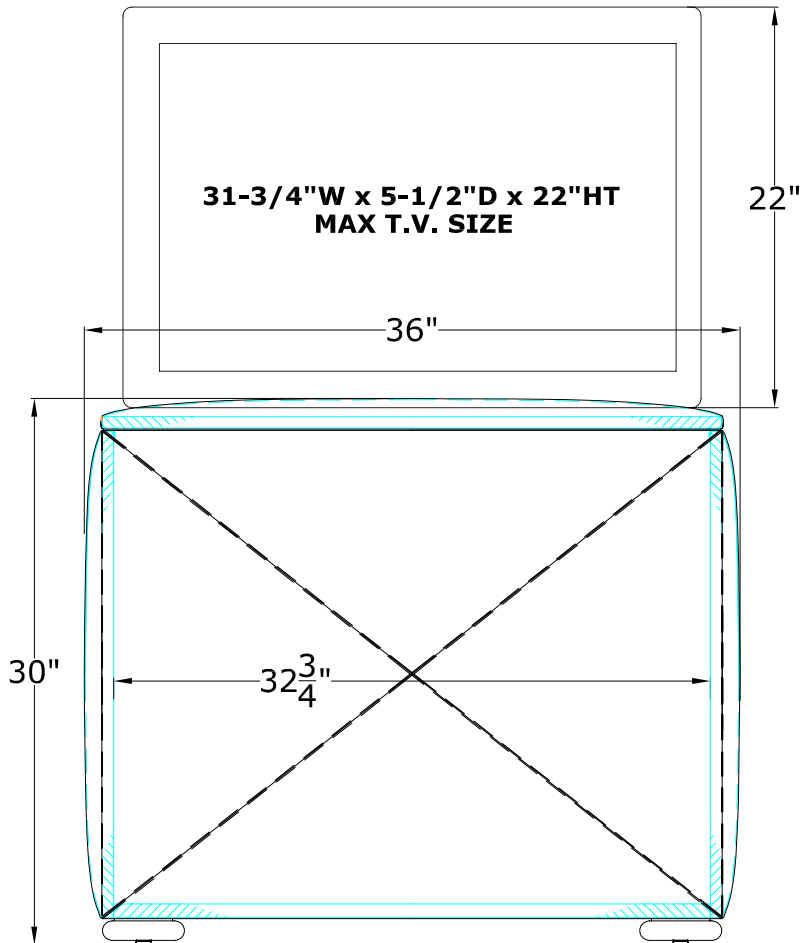
Notting Hill XS

TV Lift Cabinet (Foot of the Bed Unit)

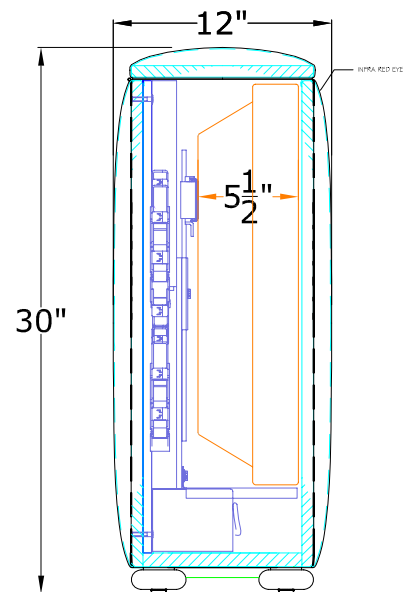
Dimension Drawing



TOP VIEW



FRONT VIEW



SIDE VIEW

Pacifica

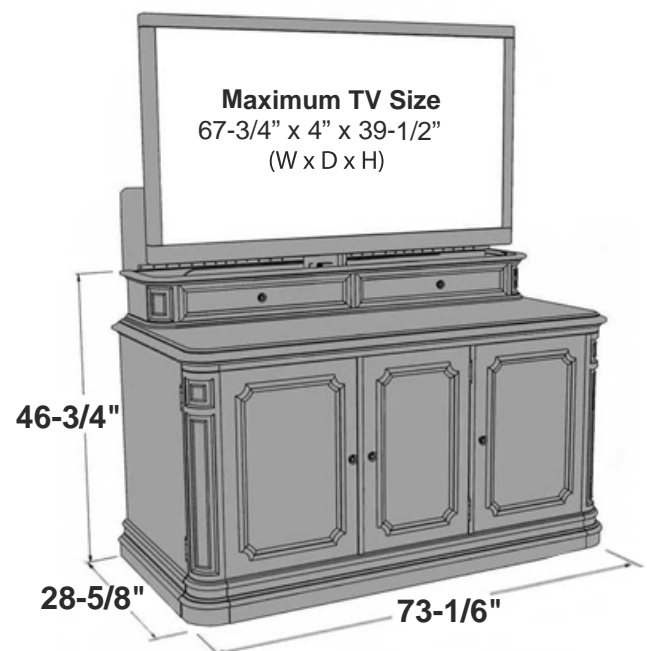
TV Lift Cabinet

Cabinet Features:

- Fully assembled.
- Built-in infrared Relay System.
- Hand selected hardwood solids and Mahogany veneers.
- All doors incorporate interchangeable wood or speaker cloth panels. (both are included with your purchase).
- Multi-step stain and scratch resistant finish.
- Adjustable shelves.
- Fully ventilated to allow for generous air circulation.

Lift Features:

- Fully assembled.
- 1 year in home parts and labor warranty.
- Radio Frequency Remote.
- Universal TV mounting bracket included.
- Auto reversing safety mechanism.
- Heavy-duty rack and pinion drive system.
- Smooth and stable travel.
- Nearly silent operation.
- Welded steel construction.
- Thermal overload protection.
- Built-in wire management.
- Patent Pending.

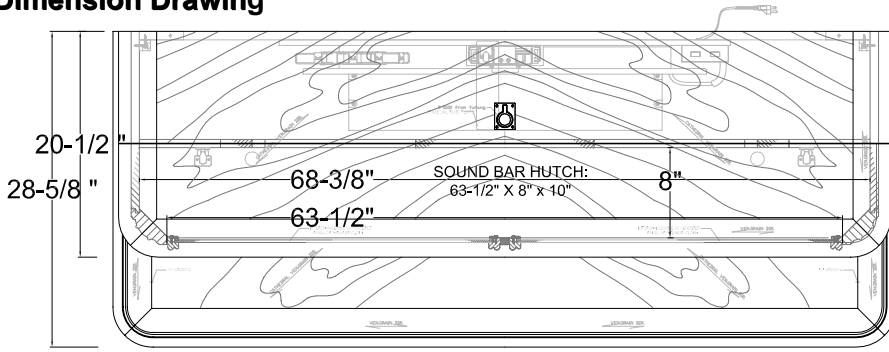


Infrared relay system provides a window from your handheld remotes to your TV and audio components even though they are concealed inside the cabinet. No programming required!

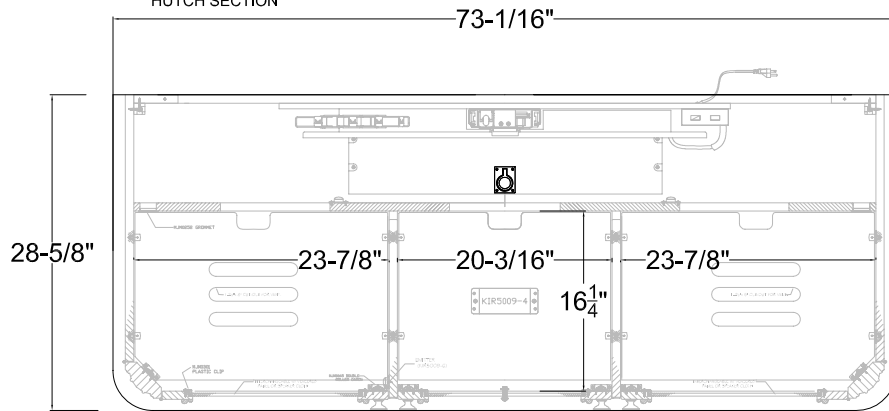
Pacifica

TV Lift Cabinet

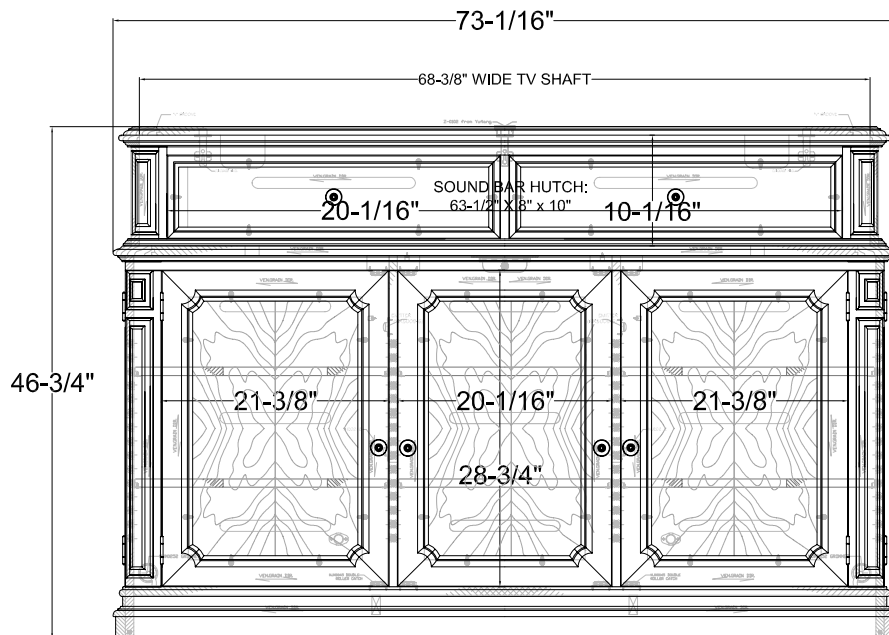
Dimension Drawing



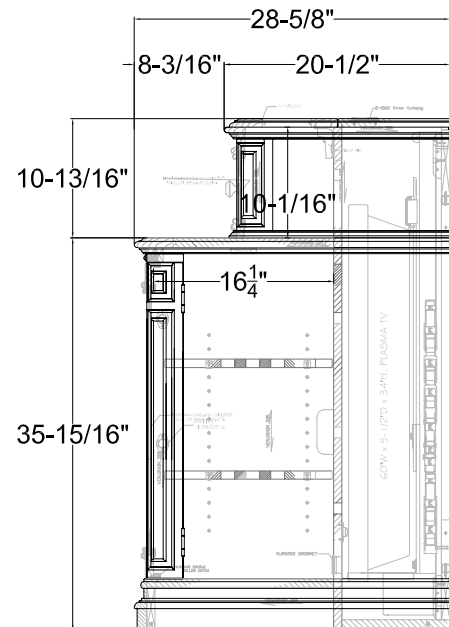
TOP VIEW
HUTCH SECTION



TOP VIEW
DOOR SECTION



FRONT VIEW



SIDE VIEW

Prism Swivel Espresso

TV Lift Cabinet (Foot of the Bed Unit)

Cabinet Features:

- Made with solidwood in the USA by Amish craftsmen.
- Ships fully assembled.
- Built-in Infrared Relay System.
- Two flip down panels allow you to store DVD players, cable boxes, etc.
- Multi-step stain and scratch resistant finish.
- Fully ventilated to allow for generous air circulation.

Lift Features:

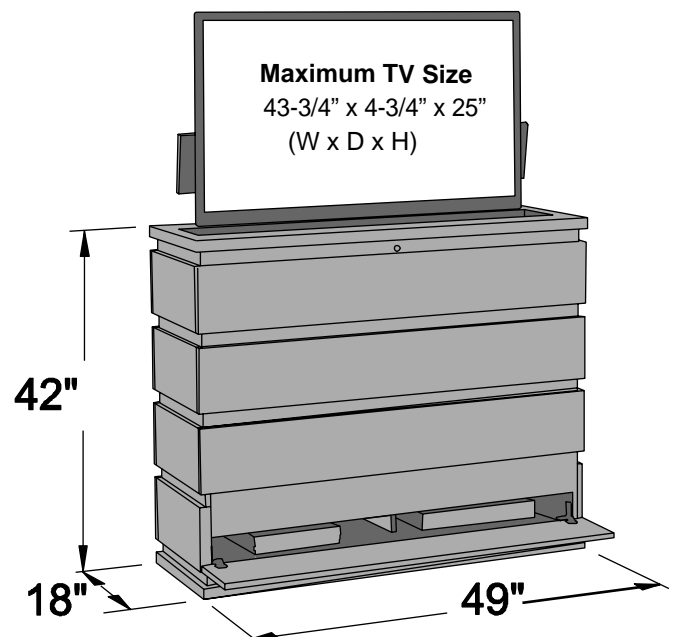
- 360 deg. electric swivel
- Fully assembled and pre-installed.
- 1 year in home parts and labor warranty.
- Radio Frequency Remote.
- Certified Crestron Intergrated Partner
- Built in RJ45 Port.
- Built in safety features.
- Universal TV mounting bracket included.
- Pre-installed Heavy-duty rack and pinion drive system.
- Smooth and stable travel.
- Nearly silent operation.
- Welded steel construction.
- Thermal overload protection.
- Manual controls included.
- Patent pending.



Infrared relay system provides a window from your handheld remotes to your TV and audio components even though they are concealed inside the cabinet. No programming required!



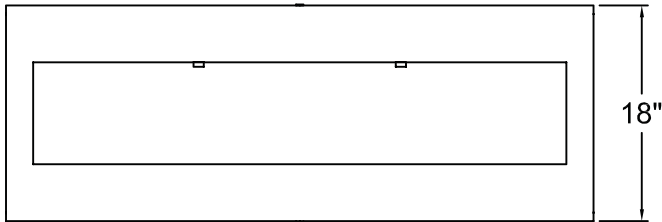
Radio frequency remote for operating TV lift mechanism



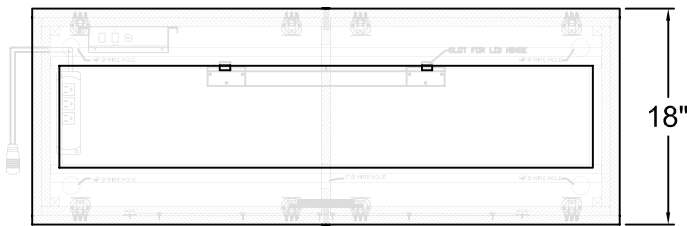
Prism Swivel Espresso

TV Lift Cabinet (Foot of the Bed Unit)

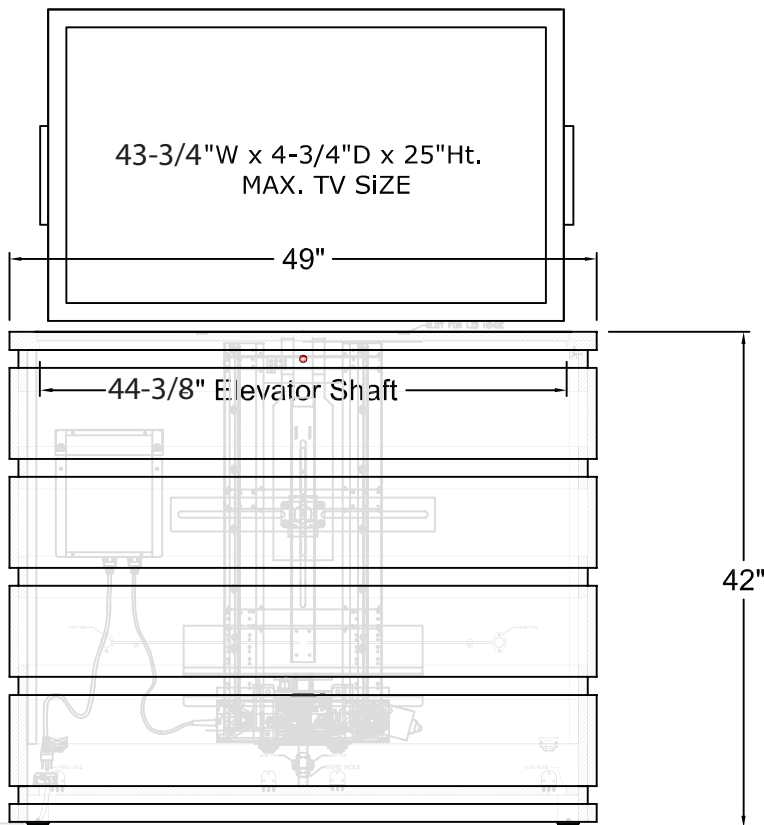
Dimension Drawing



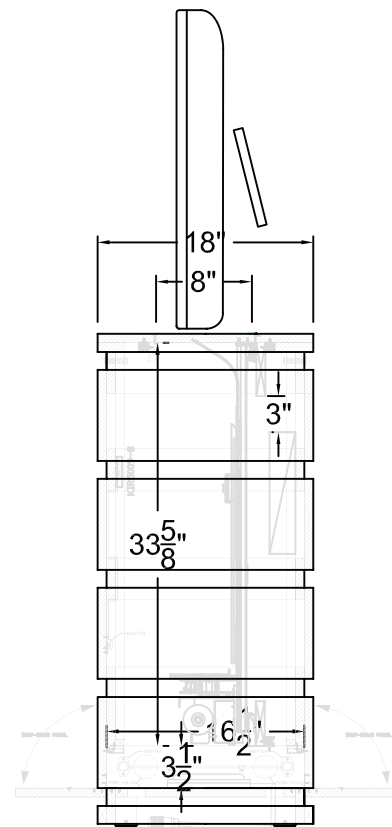
TOP VIEW



TOP SECTION VIEW



FRONT VIEW



SIDE VIEW

Prism Swivel Black

TV Lift Cabinet (Foot of the Bed Unit)

Cabinet Features:

- Made with solidwood in the USA by Amish craftsmen.
- Ships fully assembled.
- Built-in Infrared Relay System.
- Two flip down panels allow you to store DVD players, cable boxes, etc.
- Multi-step stain and scratch resistant finish.
- Fully ventilated to allow for generous air circulation.

Lift Features:

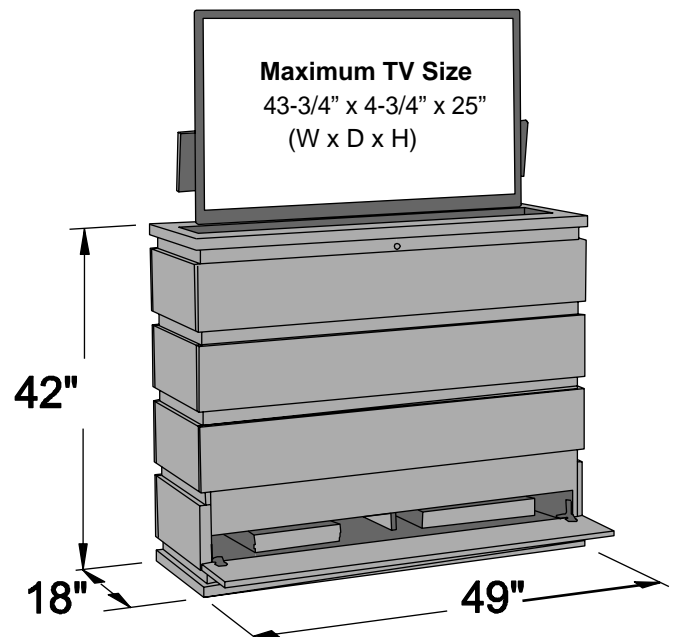
- 360 deg. electric swivel
- Fully assembled and pre-installed.
- 1 year in home parts and labor warranty.
- Radio Frequency Remote.
- Certified Crestron Intergrated Partner
- Built in RJ45 Port.
- Built in safety features.
- Universal TV mounting bracket included.
- Pre-installed Heavy-duty rack and pinion drive system.
- Smooth and stable travel.
- Nearly silent operation.
- Welded steel construction.
- Thermal overload protection.
- Manual controls included.
- Patent pending.



Infrared relay system provides a window from your handheld remotes to your TV and audio components even though they are concealed inside the cabinet. No programming required!



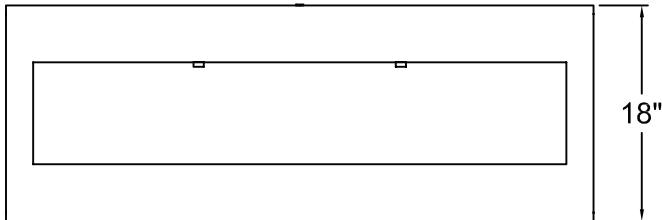
Radio frequency remote for operating TV lift mechanism



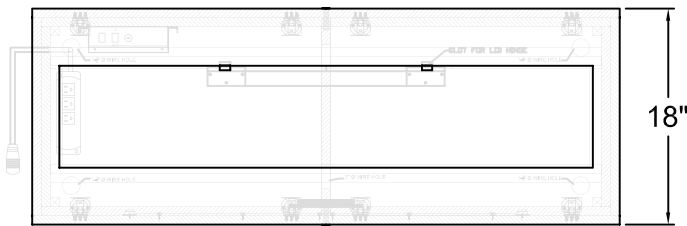
Prism Swivel Black

TV Lift Cabinet (Foot of the Bed Unit)

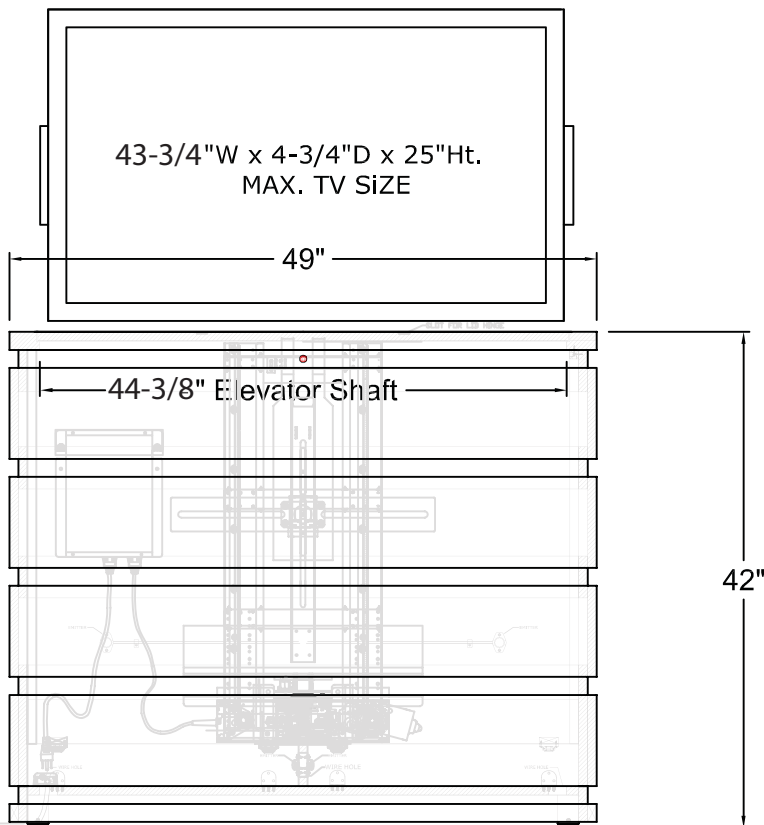
Dimension Drawing



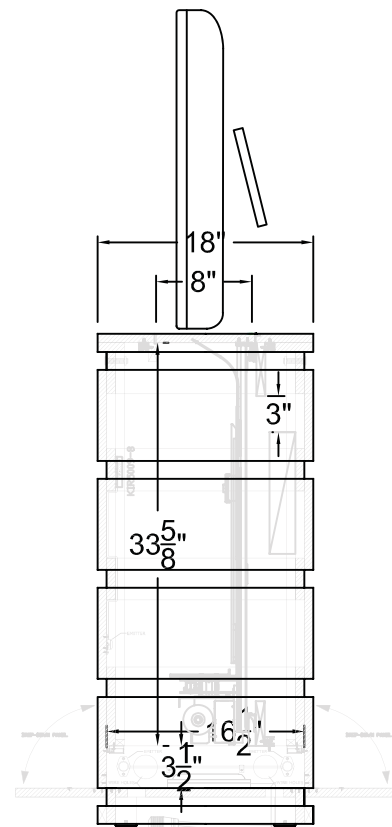
TOP VIEW



TOP SECTION VIEW



FRONT VIEW



SIDE VIEW

Prism (Black)

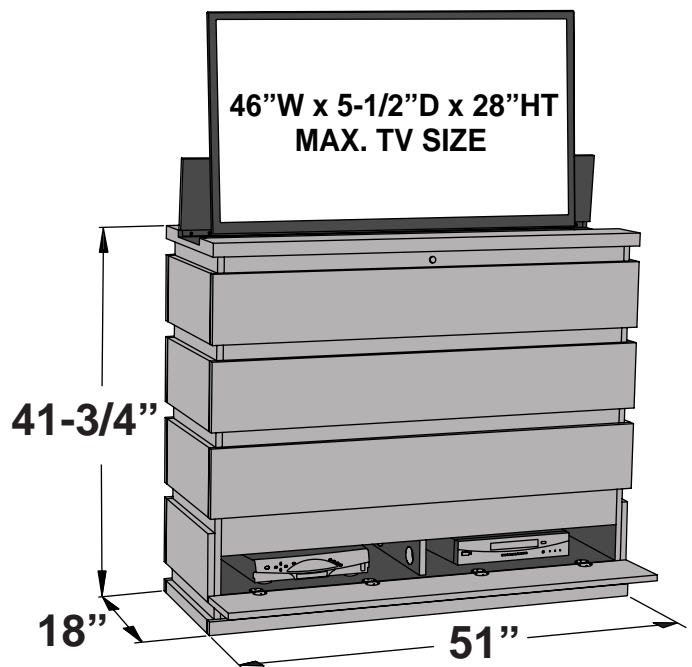
TV Lift Cabinet (Foot of the Bed Unit)

Cabinet Features:

- Made in the USA by Amish craftsmen.
- Made of solid Maple wood.
- Fully assembled.
- Built-in Infrared Relay System.
- Flip down bottom drawer faces to store electronic device.
- Multi-step stain and scratch resistant finish.
- Fully ventilated to allow for generous air circulation.

Lift Features:

- Fully assembled.
- 1 year in home parts and labor warranty.
- Radio Frequency Remote.
- Universal TV mounting bracket included.
- Auto reversing safety mechanism.
- Heavy-duty rack and pinion drive system.
- Smooth and stable travel.
- Nearly silent operation.
- Welded steel construction.
- Thermal overload protection.
- Built-in wire management.
- Patent Pending.

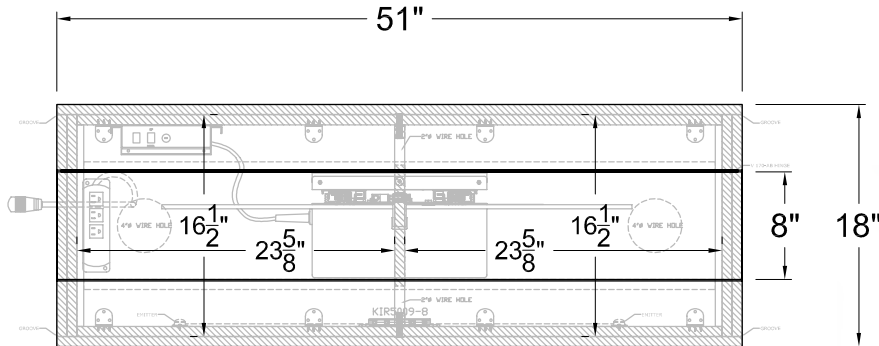


Infrared relay system provides a window from your handheld remotes to your TV and audio components even though they are concealed inside the cabinet. No programming required!

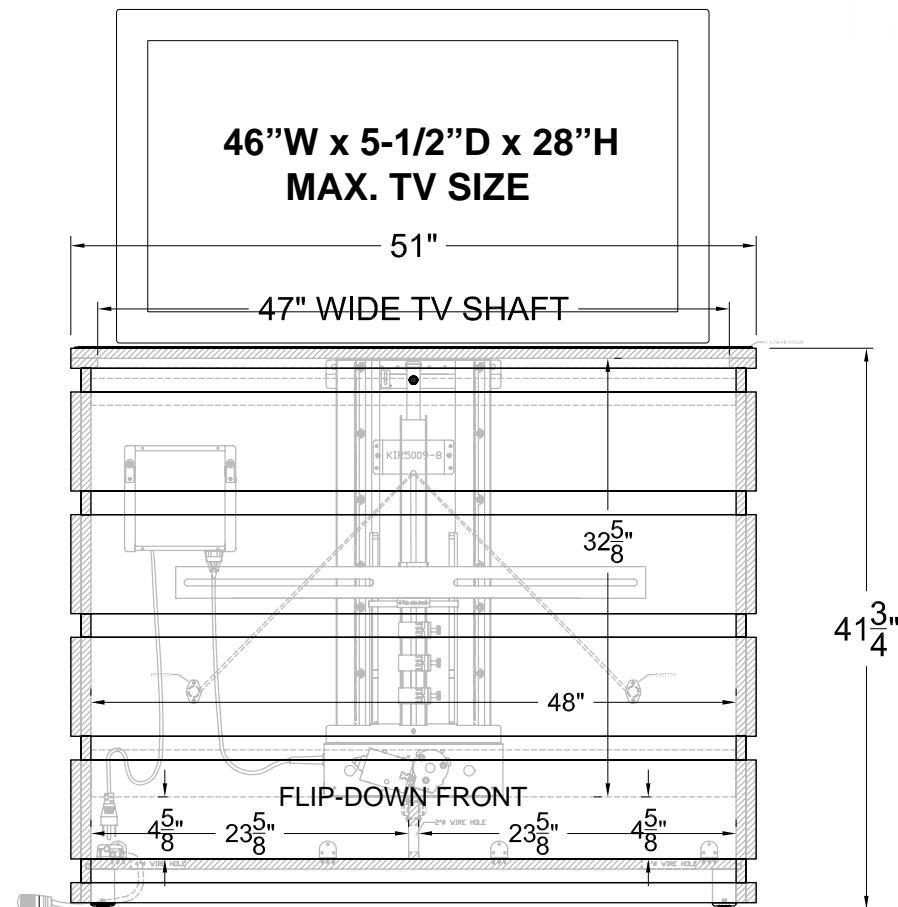
Prism (Black)

TV Lift Cabinet (Foot of the Bed Unit)

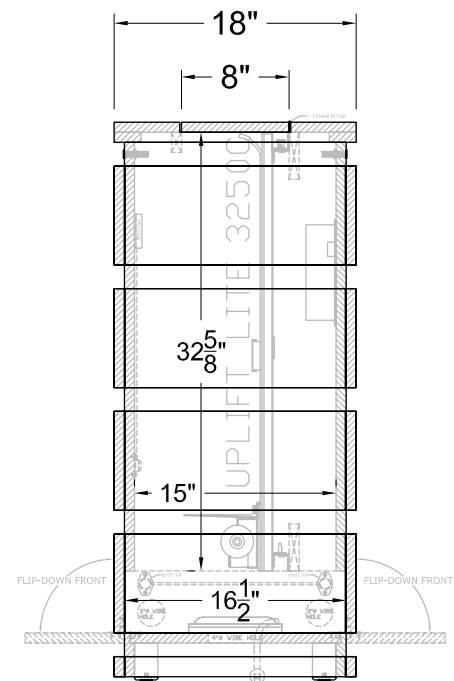
Dimension Drawing



TOP VIEW



FRONT VIEW



SIDE VIEW

Prism (Espresso)

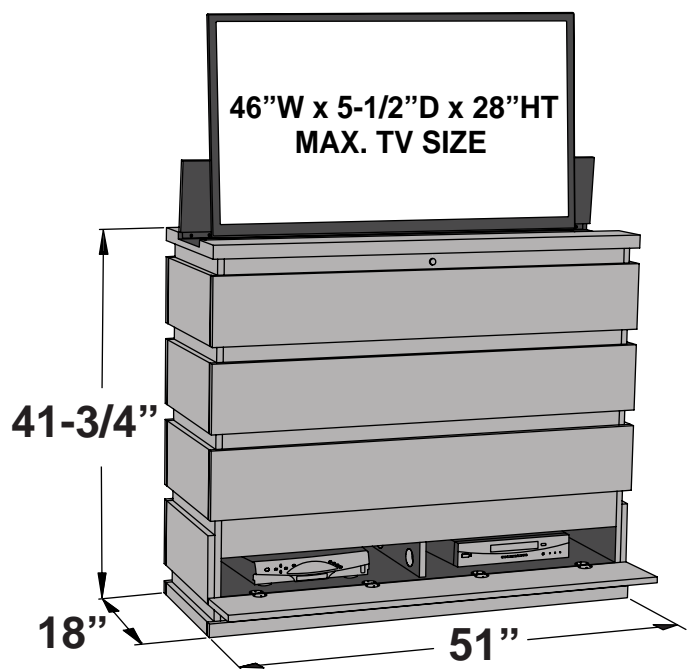
TV Lift Cabinet (Foot of the Bed Unit)

Cabinet Features:

- Made in the USA by Amish craftsmen.
- Made of solid Maple wood.
- Fully assembled.
- Built-in Infrared Relay System.
- Flip down bottom drawer faces to store electronic device.
- Multi-step stain and scratch resistant finish.
- Fully ventilated to allow for generous air circulation.

Lift Features:

- Fully assembled.
- 1 year in home parts and labor warranty.
- Radio Frequency Remote.
- Universal TV mounting bracket included.
- Auto reversing safety mechanism.
- Heavy-duty rack and pinion drive system.
- Smooth and stable travel.
- Nearly silent operation.
- Welded steel construction.
- Thermal overload protection.
- Built-in wire management.
- Patent Pending.

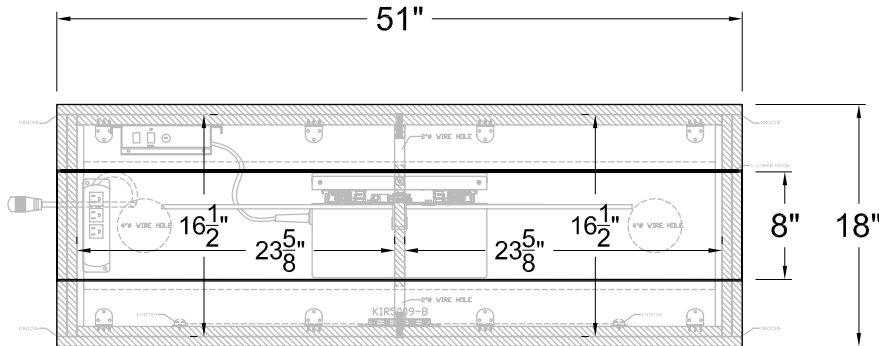


Infrared relay system provides a window from your handheld remotes to your TV and audio components even though they are concealed inside the cabinet. No programming required!

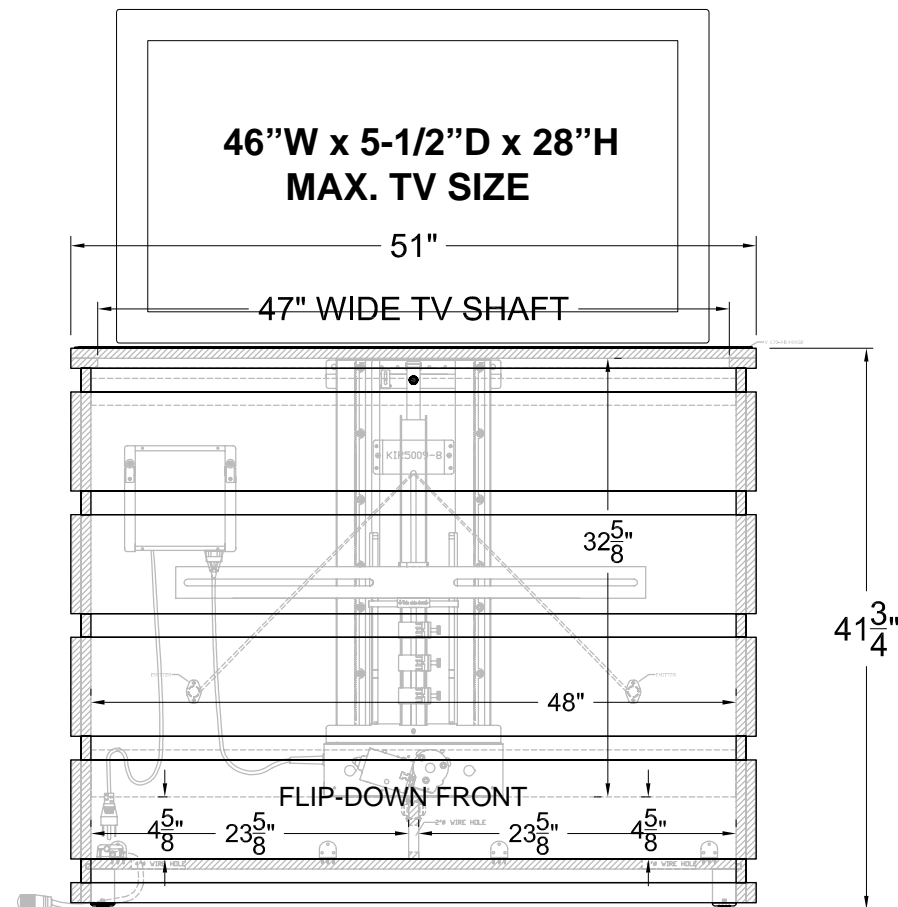
Prism (Espresso)

TV Lift Cabinet (Foot of the Bed Unit)

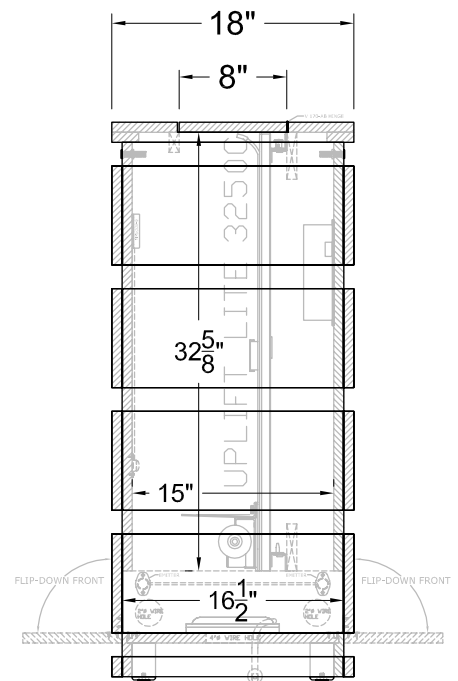
Dimension Drawing



TOP VIEW



FRONT VIEW



SIDE VIEW

Prism Espresso XL

TV Lift Cabinet (Foot of the Bed Unit)

Cabinet Features:

- Houses TV's 36" – 60".
- Maximum TV size of 55-1/2" x 4" x 32-3/4"
- Finished and framed identically on all 4 sides
- Wire holes in the floor allow for wires to pass under the cabinet
- Onboard manual controls and surge protection
- Built-in contact closure
- One onboard current sensing electrical outlet for your TV. Simply turn your TV on and the lift raises. Turn your TV off and the lift lowers. This works with 95% of all TV's.
- Built-in adjustable floor levelers
- Expertly crafted in the USA by Amish craftsman from solid Maple wood
- Finished by hand in our exclusive semi-gloss espresso stain.
- Wood swatches available upon request

Lift Features:

- Fully assembled.
- 1 year in home parts and labor warranty.
- Radio Frequency Remote.
- Universal TV mounting bracket included.
- Auto reversing safety mechanism.
- Heavy-duty rack and pinion drive system.
- Smooth and stable travel.
- Nearly silent operation.
- Welded steel construction.
- Thermal overload protection.
- Built-in wire management.
- Patent Pending.

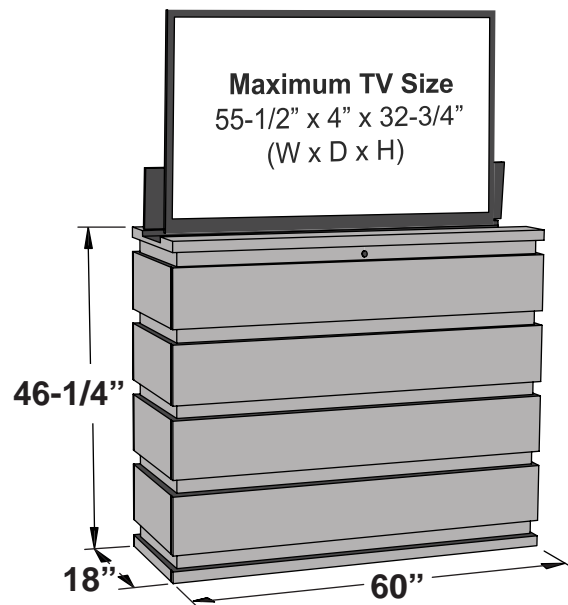


Infrared relay system provides a window from your handheld remotes to your TV and audio components even though they are concealed inside the cabinet. No programming required!



(Closed)

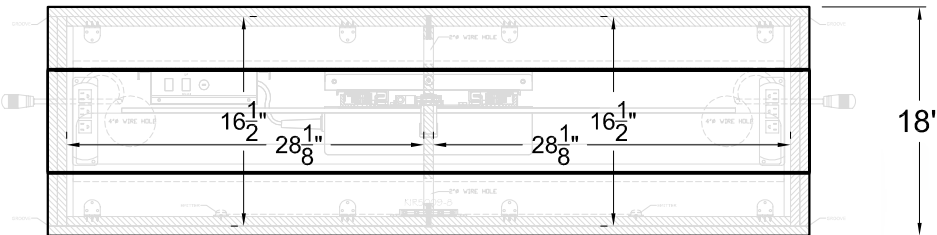
Rear View
(Electronic storage open)



Prism Espresso XL

TV Lift Cabinet

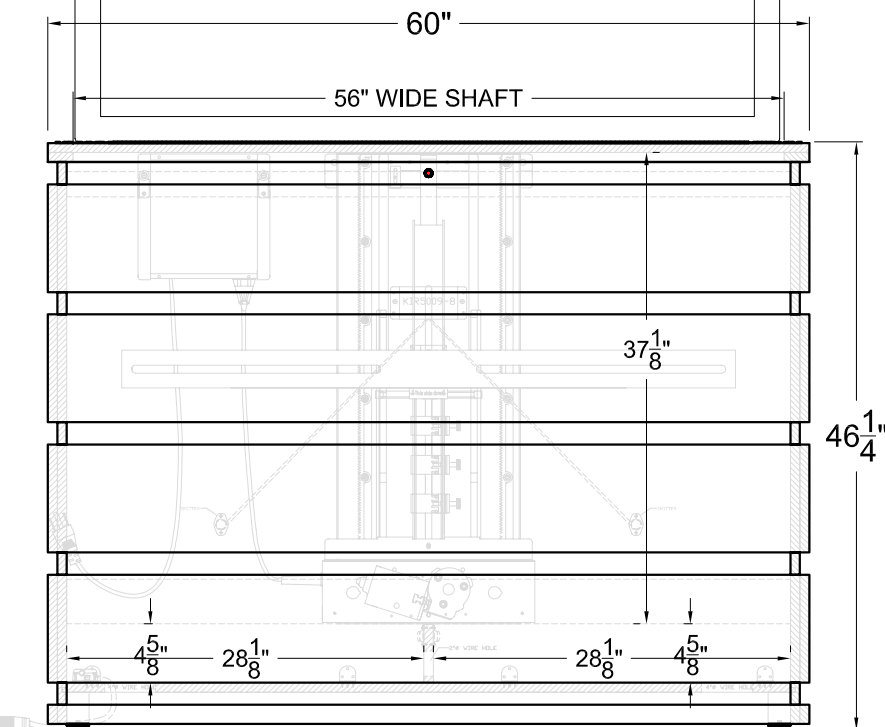
Dimension Drawing



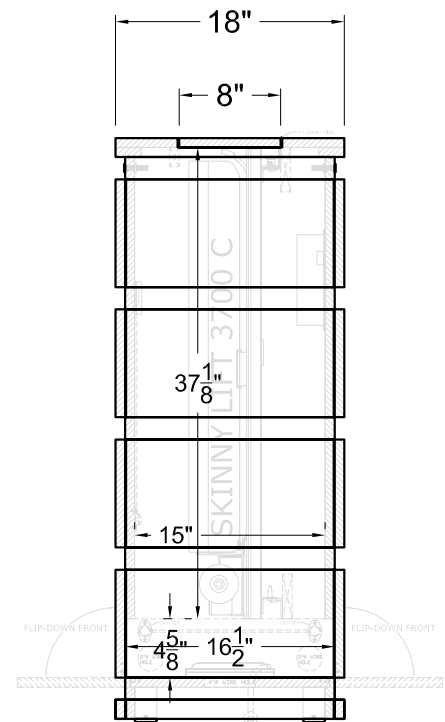
TOP VIEW



**55-1/2"W x 4"D x 32-3/4"HT
MAX. TV SIZE**



FRONT VIEW



SIDE VIEW

Prism Swivel White

TV Lift Cabinet (Foot of the Bed Unit)

Cabinet Features:

- Made with solidwood in the USA by Amish craftsmen.
- Ships fully assembled.
- Built-in Infrared Relay System.
- Two flip down panels allow you to store DVD players, cable boxes, etc.
- Multi-step stain and scratch resistant finish.
- Fully ventilated to allow for generous air circulation.

Lift Features:

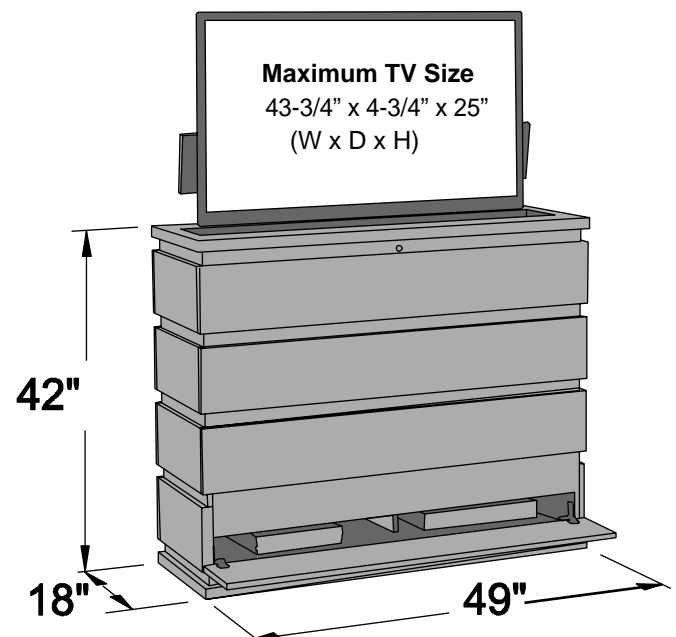
- 360 deg. electric swivel
- Fully assembled and pre-installed.
- 1 year in home parts and labor warranty.
- Radio Frequency Remote.
- Certified Crestron Intergrated Partner
- Built in RJ45 Port.
- Built in safety features.
- Universal TV mounting bracket included.
- Pre-installed Heavy-duty rack and pinion drive system.
- Smooth and stable travel.
- Nearly silent operation.
- Welded steel construction.
- Thermal overload protection.
- Manual controls included.
- Patent pending.



Infrared relay system provides a window from your handheld remotes to your TV and audio components even though they are concealed inside the cabinet. No programming required!



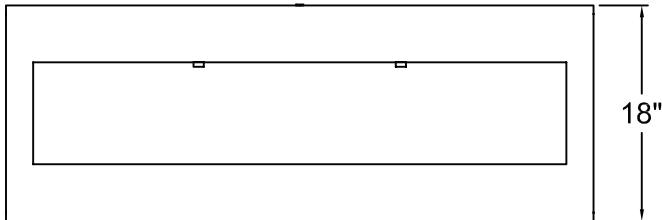
Radio frequency remote for operating TV lift mechanism



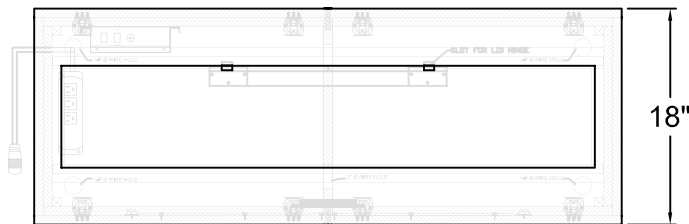
Prism Swivel White

TV Lift Cabinet (Foot of the Bed Unit)

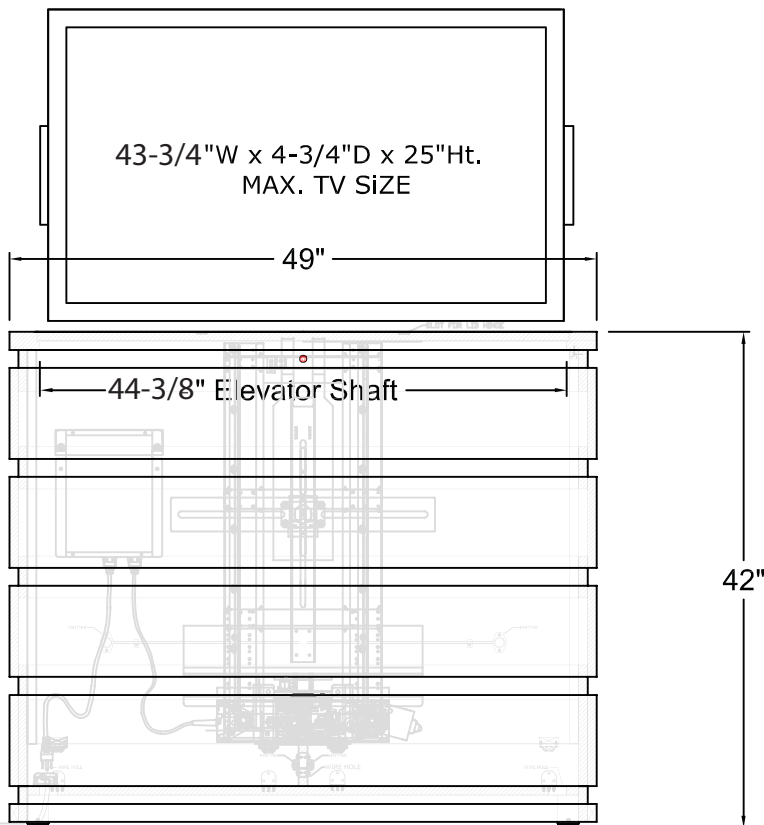
Dimension Drawing



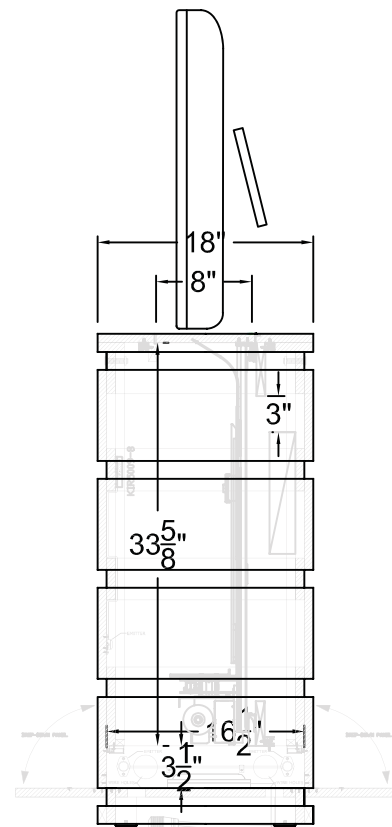
TOP VIEW



TOP SECTION VIEW



FRONT VIEW



SIDE VIEW

Prism (White)

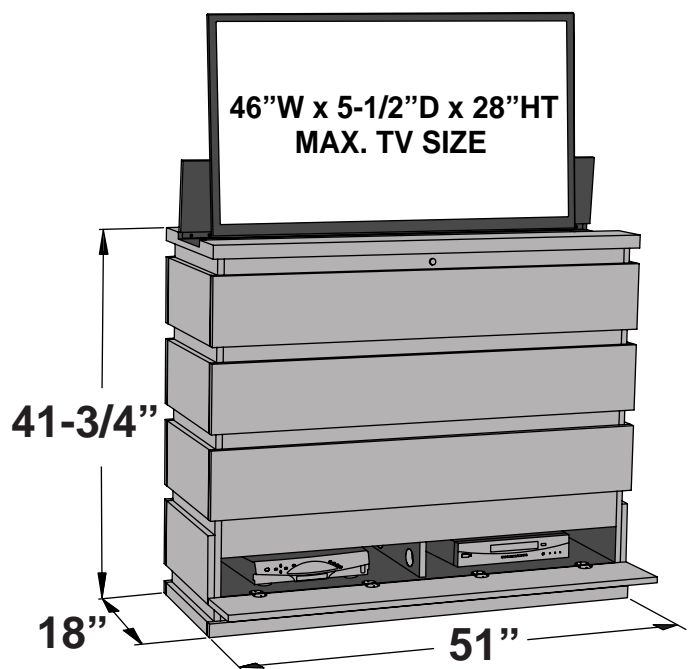
TV Lift Cabinet (Foot of the Bed Unit)

Cabinet Features:

- Made in the USA by Amish craftsmen.
- Made of solid Maple wood.
- Fully assembled.
- Built-in Infrared Relay System.
- Flip down bottom drawer faces to store electronic device.
- Multi-step stain and scratch resistant finish.
- Fully ventilated to allow for generous air circulation.

Lift Features:

- Fully assembled.
- 1 year in home parts and labor warranty.
- Radio Frequency Remote.
- Universal TV mounting bracket included.
- Auto reversing safety mechanism.
- Heavy-duty rack and pinion drive system.
- Smooth and stable travel.
- Nearly silent operation.
- Welded steel construction.
- Thermal overload protection.
- Built-in wire management.
- Patent Pending.

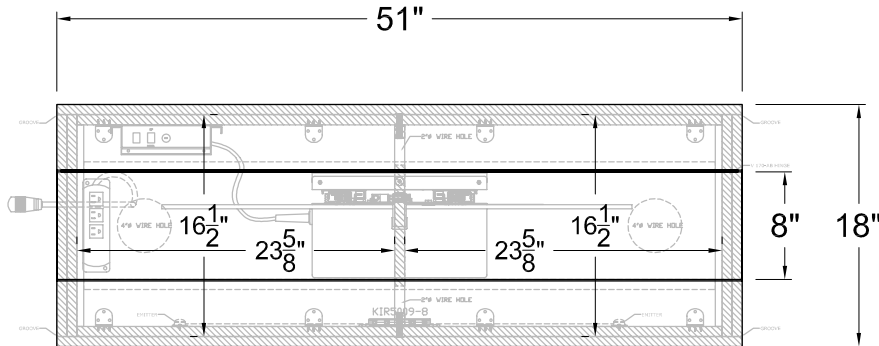


Infrared relay system provides a window from your handheld remotes to your TV and audio components even though they are concealed inside the cabinet. No programming required!

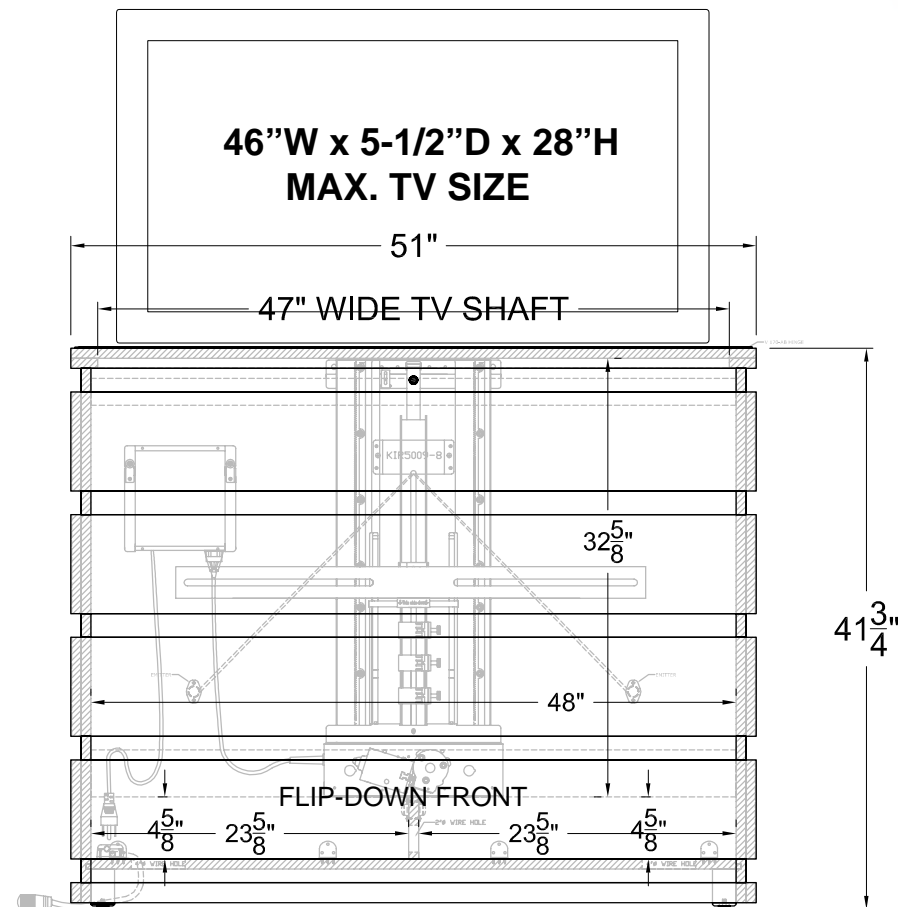
Prism (White)

TV Lift Cabinet (Foot of the Bed Unit)

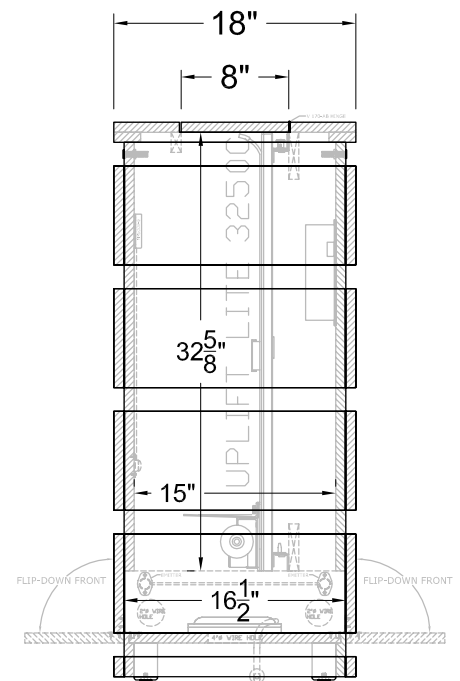
Dimension Drawing



TOP VIEW



FRONT VIEW



SIDE VIEW

Prism White XL

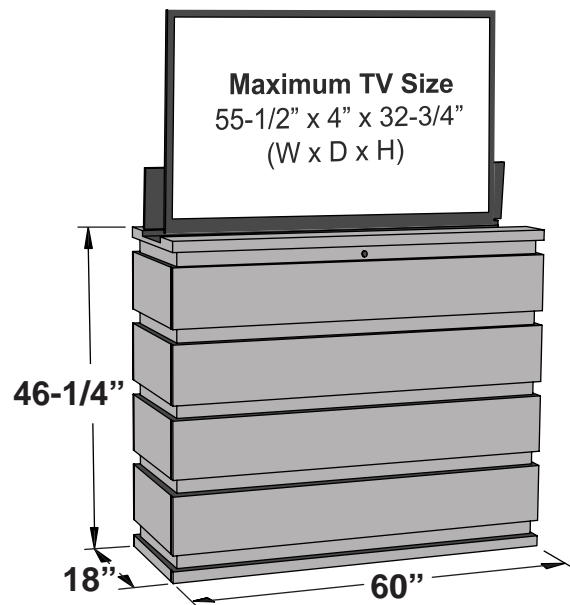
TV Lift Cabinet (Foot of the Bed Unit)

Cabinet Features:

- Houses TV's 36" – 60".
- Maximum TV size of 55-1/2" x 4" x 32-3/4"
- Finished and framed identically on all 4 sides
- Wire holes in the floor allow for wires to pass under the cabinet
- Onboard manual controls and surge protection
- Built-in contact closure
- One onboard current sensing electrical outlet for your TV. Simply turn your TV on and the lift raises. Turn your TV off and the lift lowers. This works with 95% of all TV's.
- Built-in adjustable floor levelers
- Expertly crafted in the USA by Amish craftsman from solid Maple wood
- Finished by hand in our exclusive semi-gloss white.
- Wood swatches available upon request

Lift Features:

- Fully assembled.
- 1 year in home parts and labor warranty.
- Radio Frequency Remote.
- Universal TV mounting bracket included.
- Auto reversing safety mechanism.
- Heavy-duty rack and pinion drive system.
- Smooth and stable travel.
- Nearly silent operation.
- Welded steel construction.
- Thermal overload protection.
- Built-in wire management.
- Patent Pending.

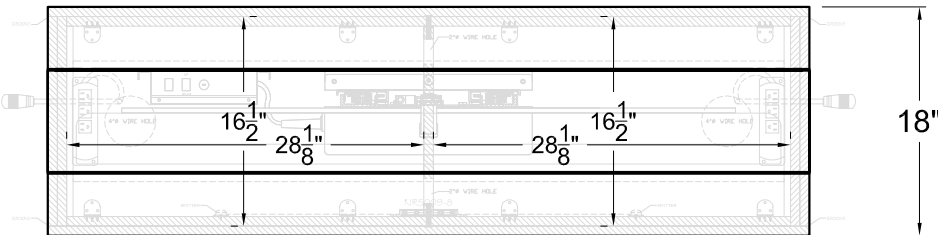


Infrared relay system provides a window from your handheld remotes to your TV and audio components even though they are concealed inside the cabinet. No programming required!

Prism White XL

TV Lift Cabinet

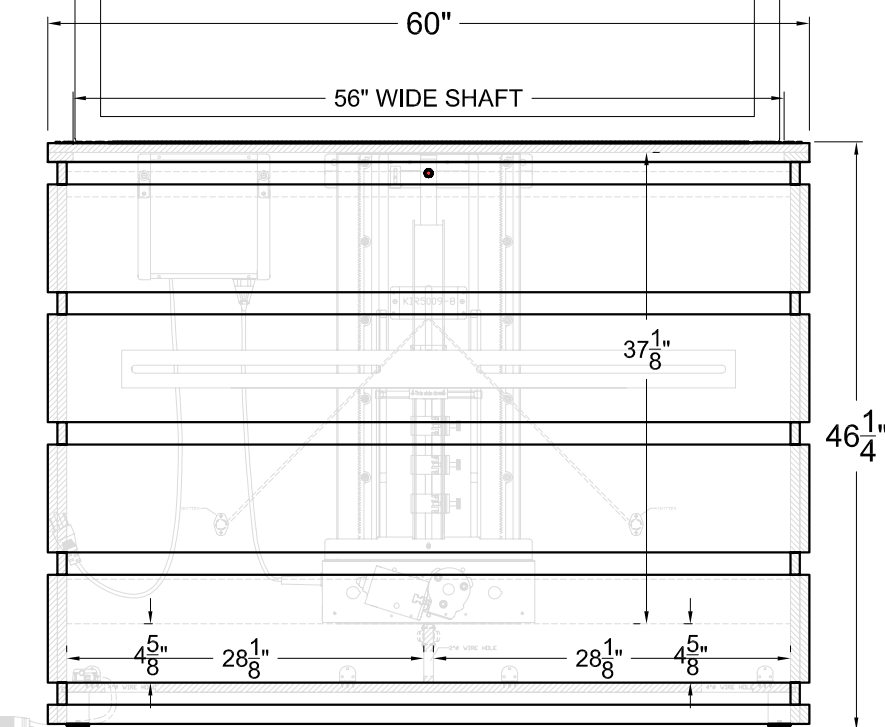
Dimension Drawing



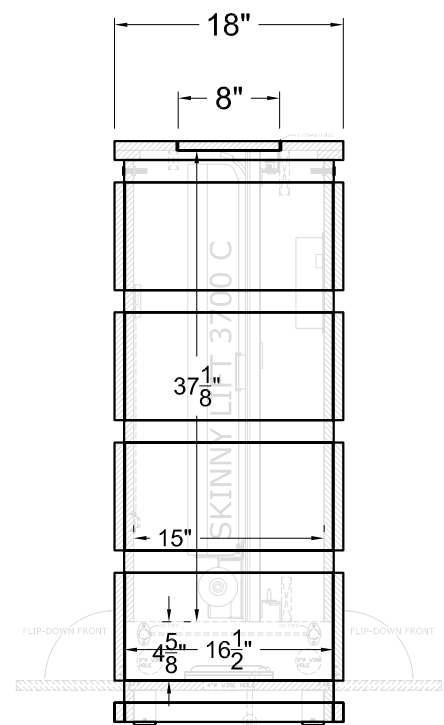
TOP VIEW



**55-1/2"W x 4"D x 32-3/4"HT
MAX. TV SIZE**



FRONT VIEW



SIDE VIEW

Prism XL Swivel Espresso

TV Lift Cabinet (Foot of the Bed Unit)

Cabinet Features:

- Made with solidwood in the USA by Amish craftsmen.
- Ships fully assembled.
- Built-in Infrared Relay System.
- Two flip down panels allow you to store DVD players, cable boxes, etc.
- Multi-step stain and scratch resistant finish.
- Fully ventilated to allow for generous air circulation.

Lift Features:

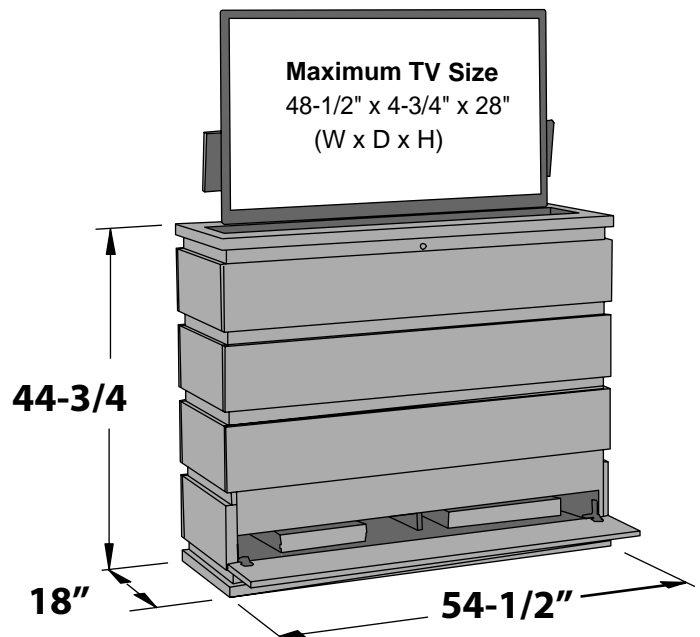
- 360 deg. electric swivel
- Fully assembled and pre-installed.
- 1 year in home parts and labor warranty.
- Radio Frequency Remote.
- Certified Crestron Intergrated Partner
- Built in RJ45 Port.
- Built in safety features.
- Universal TV mounting bracket included.
- Pre-installed Heavy-duty rack and pinion drive system.
- Smooth and stable travel.
- Nearly silent operation.
- Welded steel construction.
- Thermal overload protection.
- Manual controls included.
- Patent pending.



Infrared relay system provides a window from your handheld remotes to your TV and audio components even though they are concealed inside the cabinet. No programming required!



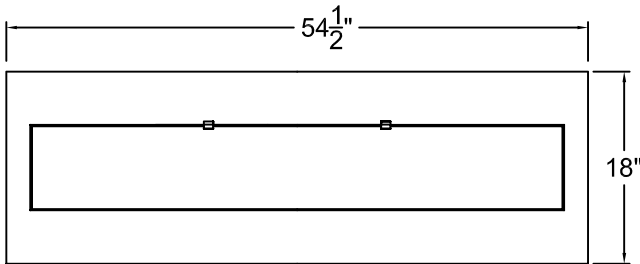
Radio frequency remote for operating TV lift mechanism



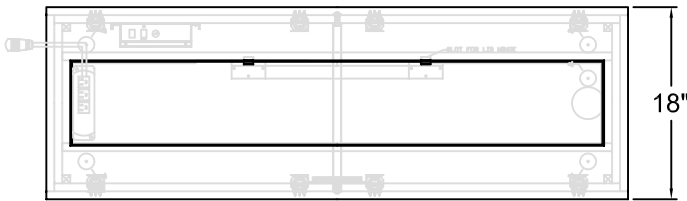
Prism XL Swivel Espresso

TV Lift Cabinet (Foot of the Bed Unit)

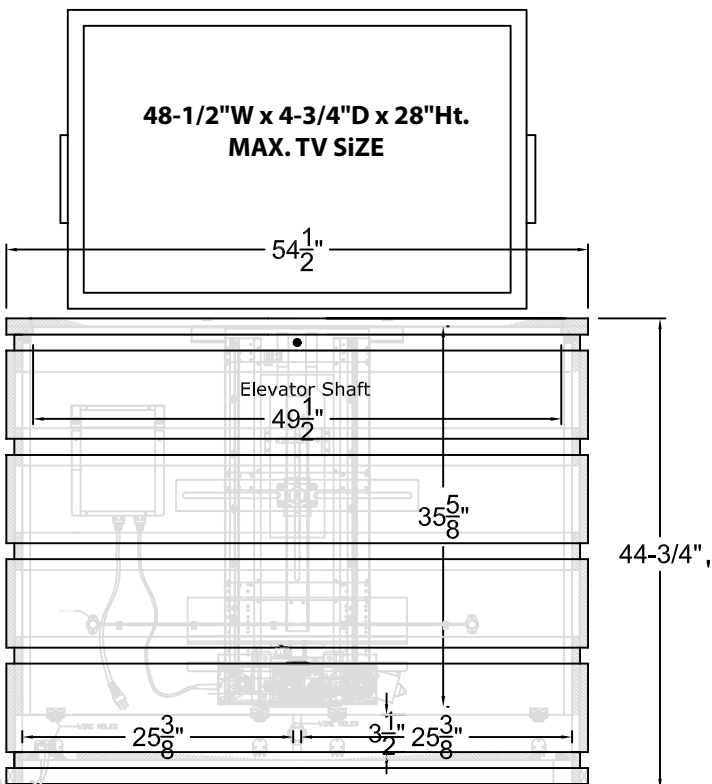
Dimension Drawing



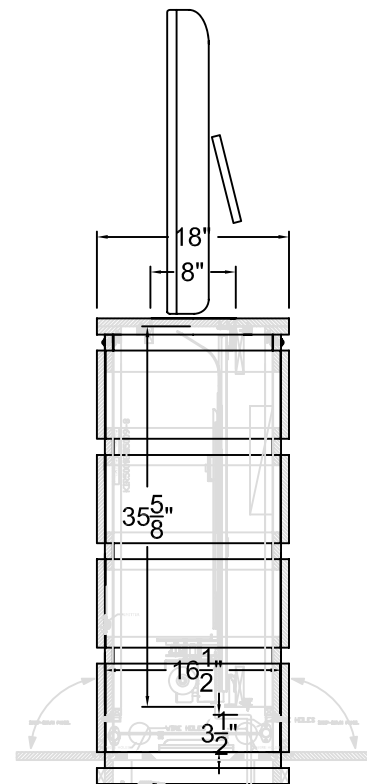
TOP VIEW



TOP SECTION VIEW



FRONT VIEW



SIDE VIEW

Prism XL Swivel Black

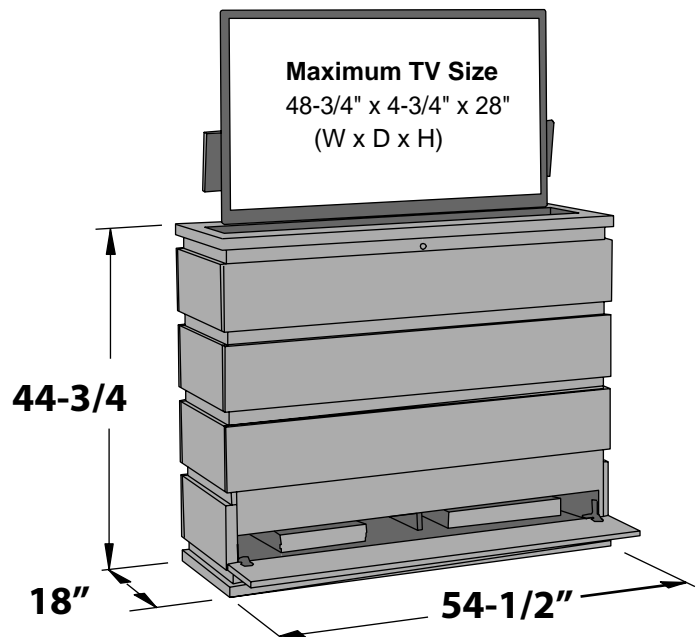
TV Lift Cabinet (Foot of the Bed Unit)

Cabinet Features:

- Made with solidwood in the USA by Amish craftsmen.
- Ships fully assembled.
- Built-in Infrared Relay System.
- Two flip down panels allow you to store DVD players, cable boxes, etc.
- Multi-step stain and scratch resistant finish.
- Fully ventilated to allow for generous air circulation.

Lift Features:

- 360 deg. electric swivel
- Fully assembled and pre-installed.
- 1 year in home parts and labor warranty.
- Radio Frequency Remote.
- Certified Crestron Intergrated Partner
- Built in RJ45 Port.
- Built in safety features.
- Universal TV mounting bracket included.
- Pre-installed Heavy-duty rack and pinion drive system.
- Smooth and stable travel.
- Nearly silent operation.
- Welded steel construction.
- Thermal overload protection.
- Manual controls included.
- Patent pending.



Infrared relay system provides a window from your handheld remotes to your TV and audio components even though they are concealed inside the cabinet. No programming required!

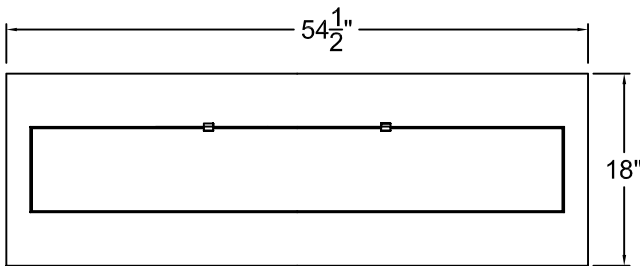


Radio frequency remote for operating TV lift mechanism

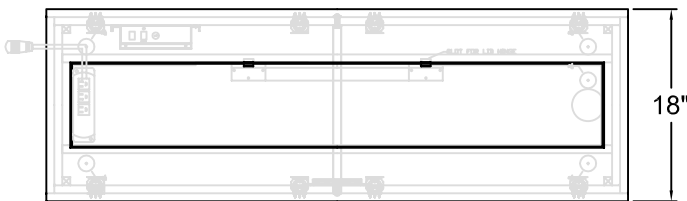
Prism XL Swivel Black

TV Lift Cabinet (Foot of the Bed Unit)

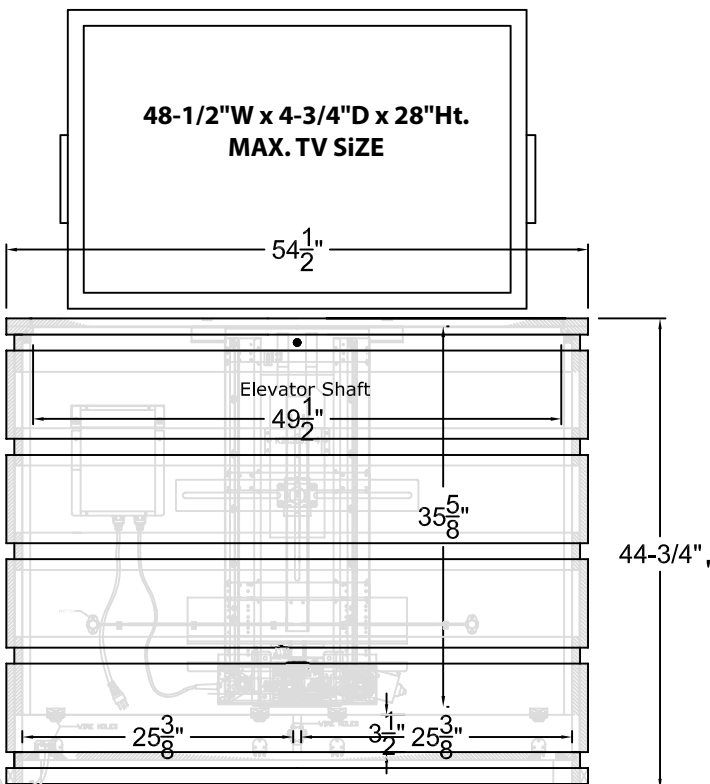
Dimension Drawing



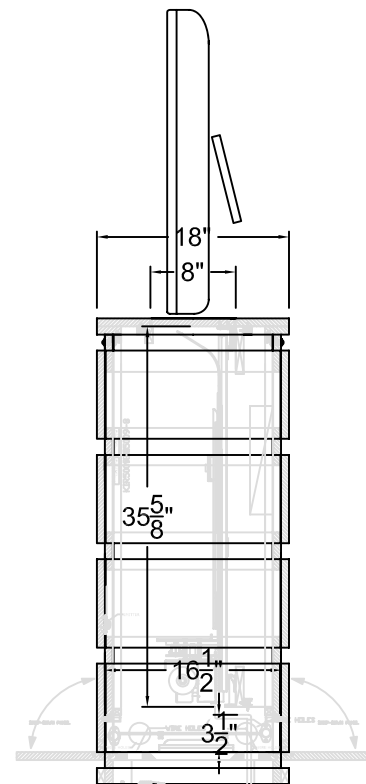
TOP VIEW



TOP SECTION VIEW



FRONT VIEW



SIDE VIEW

Prism XL Swivel White

TV Lift Cabinet (Foot of the Bed Unit)

Cabinet Features:

- Made with solidwood in the USA by Amish craftsmen.
- Ships fully assembled.
- Built-in Infrared Relay System.
- Two flip down panels allow you to store DVD players, cable boxes, etc.
- Multi-step stain and scratch resistant finish.
- Fully ventilated to allow for generous air circulation.

Lift Features:

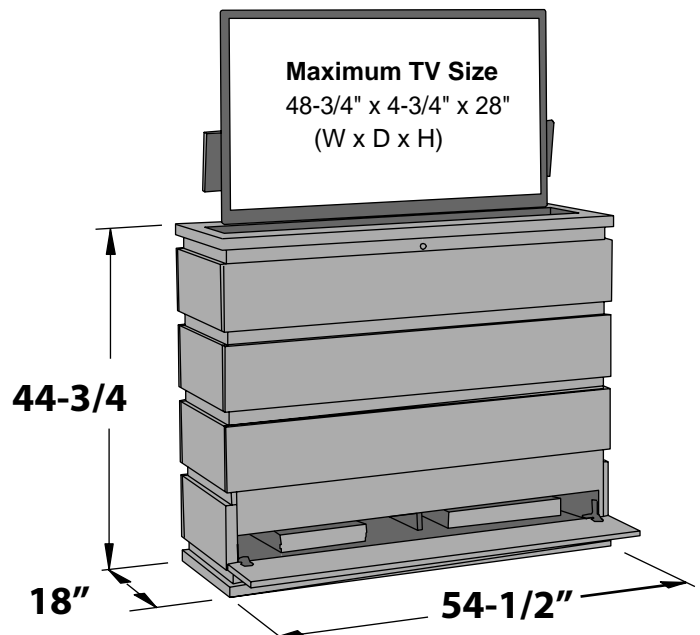
- 360 deg. electric swivel
- Fully assembled and pre-installed.
- 1 year in home parts and labor warranty.
- Radio Frequency Remote.
- Certified Crestron Intergrated Partner
- Built in RJ45 Port.
- Built in safety features.
- Universal TV mounting bracket included.
- Pre-installed Heavy-duty rack and pinion drive system.
- Smooth and stable travel.
- Nearly silent operation.
- Welded steel construction.
- Thermal overload protection.
- Manual controls included.
- Patent pending.



Infrared relay system provides a window from your handheld remotes to your TV and audio components even though they are concealed inside the cabinet. No programming required!



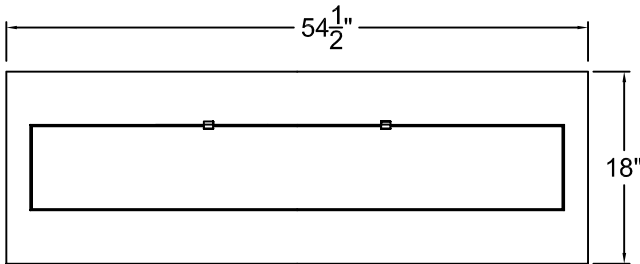
Radio frequency remote for operating TV lift mechanism



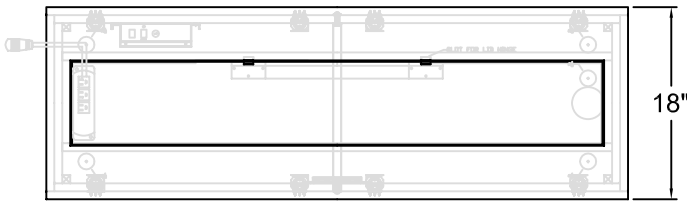
Prism XL Swivel White

TV Lift Cabinet (Foot of the Bed Unit)

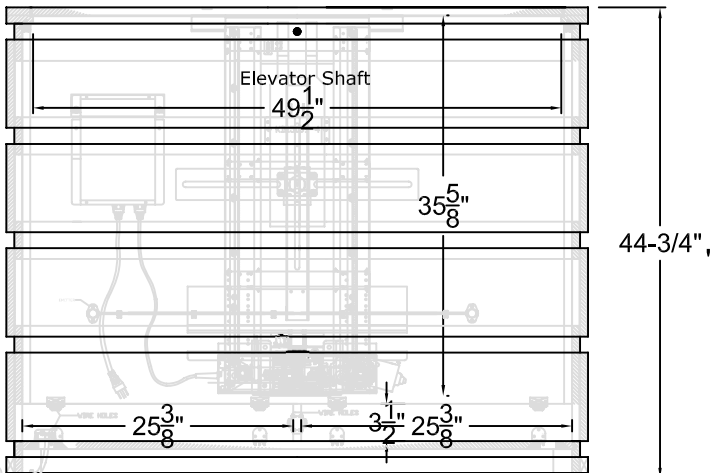
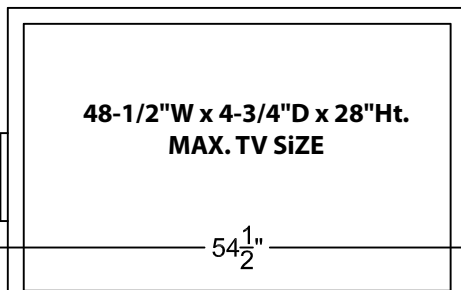
Dimension Drawing



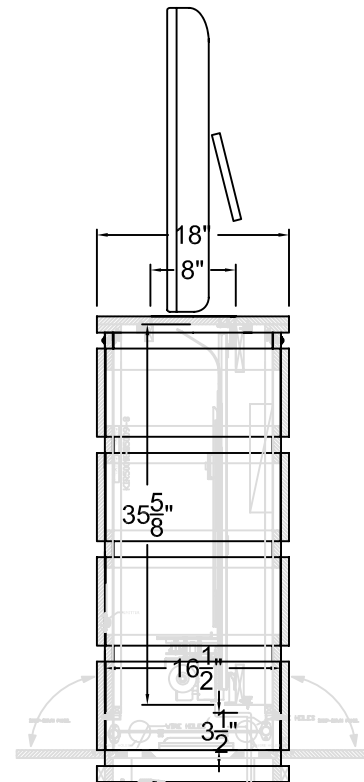
TOP VIEW



TOP SECTION VIEW



FRONT VIEW



SIDE VIEW

Queen/King Footboard Desk Lift w/ Bench TV Lift Cabinet

Cabinet Features:

- Made in the USA of Solid Maple
- Houses TV's 36-49"
- Maximum TV size of 55" x 24-3/4" x 4"
- Center drawer has a built in infrared which allows you to place cable box/DVD player in drawer and control it without opening the drawer
- Onboard manual controls and surge protection
- Built-in contact closure
- One onboard electrical outlet for your TV
- Built-in adjustable floor levelers
- 3 Drawers on ball bearing slides
- Upholstered bench
- Finished by hand in our high sheen espresso

Lift Features:

- Fully assembled & pre-installed
- 1 year in home parts and labor warranty
- Radio Frequency Remot
- Universal TV mounting bracket & TV mounting hardware included
- Heavy-duty rack and pinion drive system
- Smooth and stable travel
- Nearly silent operation
- Welded steel construction
- Built-in wire management
- Patent Pending

- **Radio frequency remote**
For operating TV lift mechanism

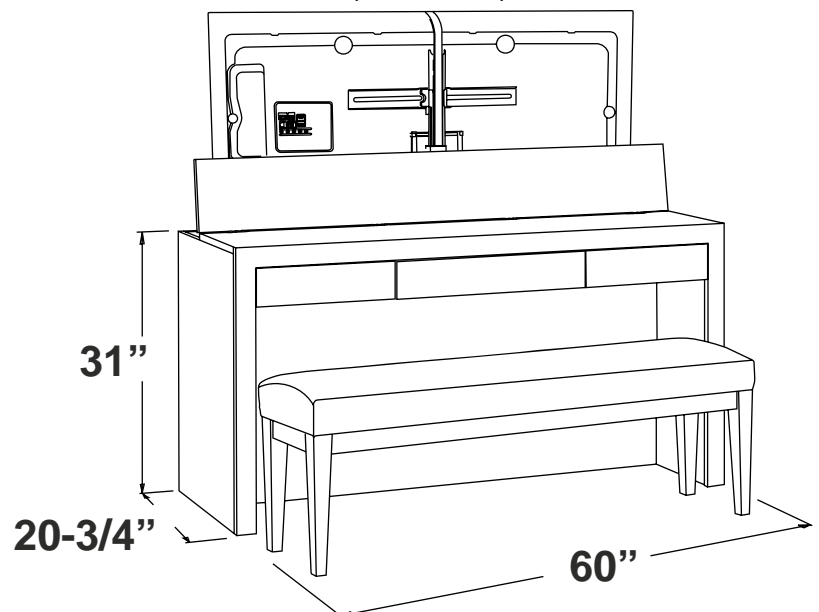


- **Infrared relay system**
Provides a window from your handheld to your TV and AV components even though they are concealed inside the cabinet. No programming required!

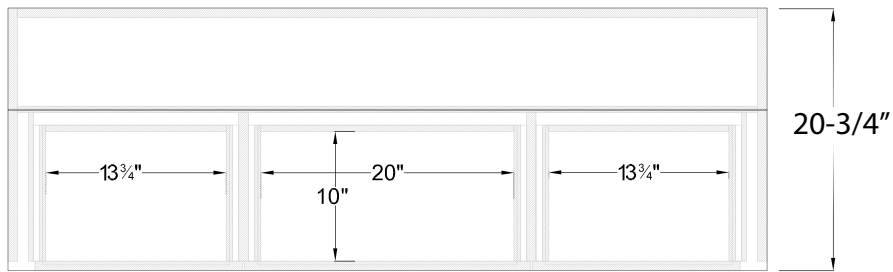


Maximum TV Size

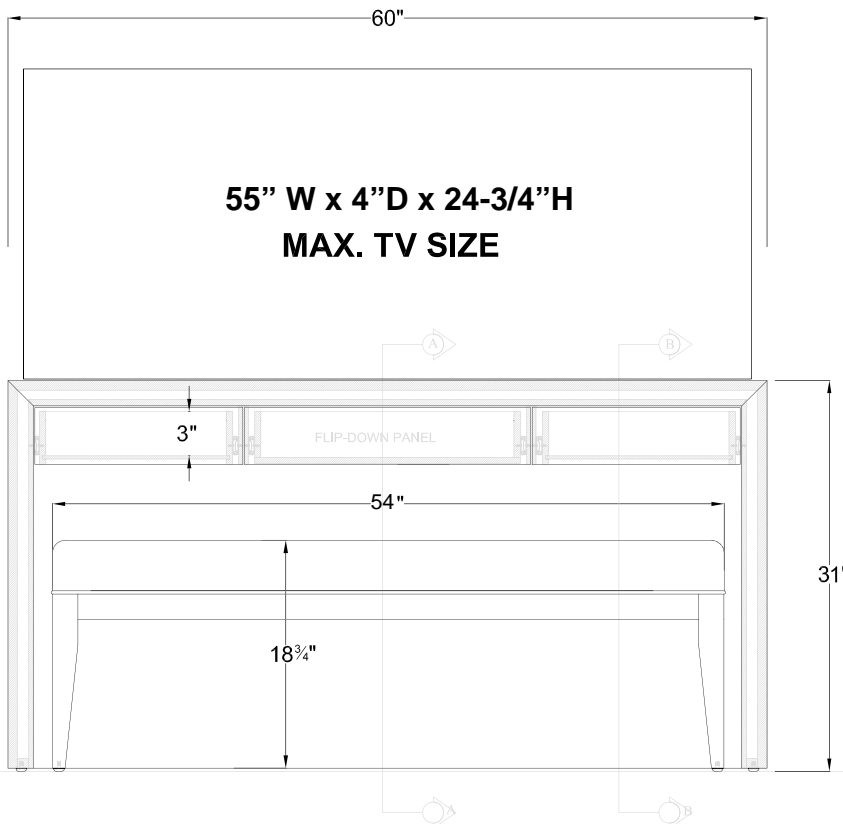
55" x 4" X 24-3/4"
(W X D X H)



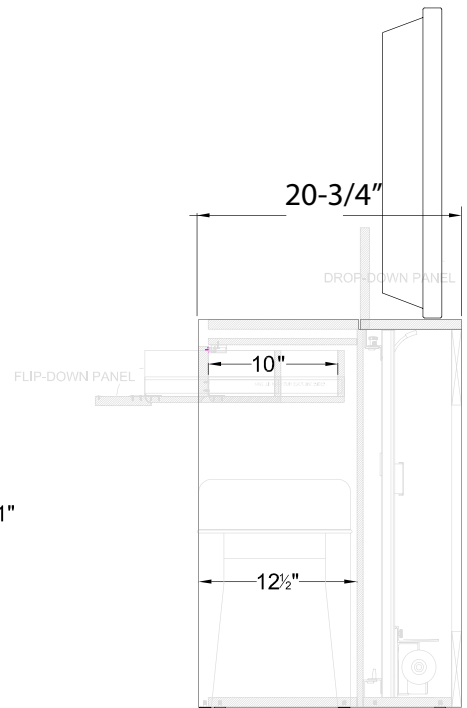
Queen/King Footboard Desk Lift w/ Bench TV Lift Cabinet



TOP VIEW



FRONT VIEW



SIDE VIEW

Sanctuary Black

TV Lift Cabinet

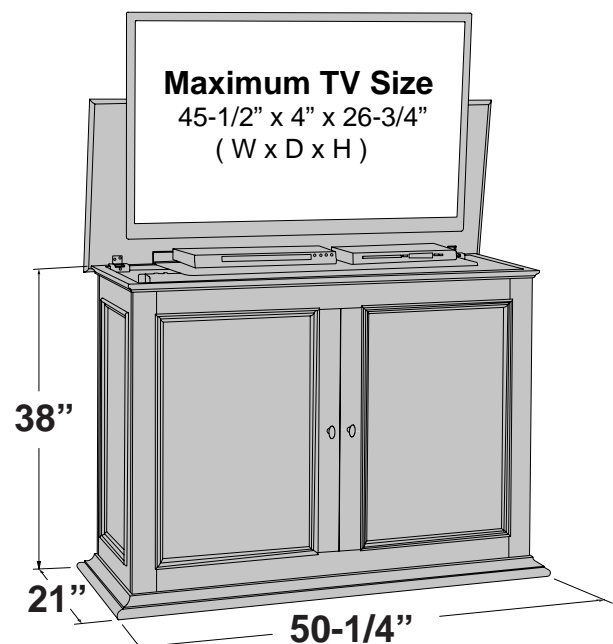
Cabinet Features:

- Finished & framed on all 4 sides.
- Can be used against the wall, foot-of-bed, or free standing.
- Made in the USA by Amish Craftsmen.
- Ships fully set up and ready to use.
- Full 1 year in-home warranty.
- Max. TV Size: 45-1/2" x 4" x 26-3/4"
- 2-1/2" holes are cut into the floor allowing the wires to pass through the bottom of the cabinet and out under the baseboard.
- Max. Loading Weight: 80 pounds (most 32"- 47" TV's weigh 40 pounds or less)
- Lift Machine: UL Recognized Heavy Duty Rack and pinion.
- Remote and manual controls for simple operation.
- Built-in adjustable feet allow you to raise and lower the cabinet for additional height to pass wires under the baseboard.
- Finished by hand in our exclusive matte black paint.



Lift Features:

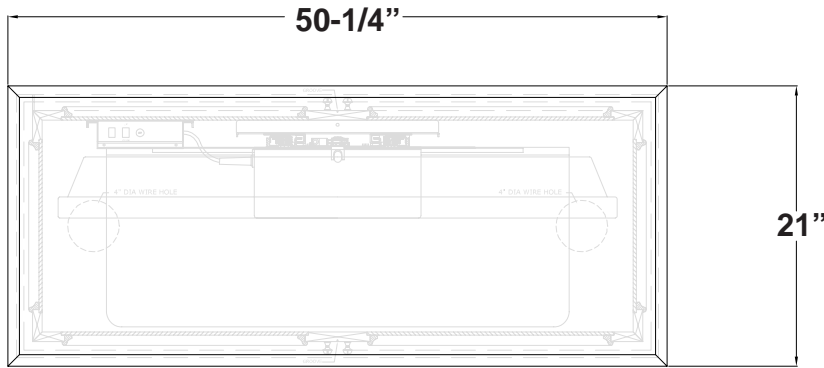
- Fully assembled & pre-installed.
- 1 year in home parts and labor warranty.
- Radio Frequency Remote.
- Universal TV mounting bracket & TV mounting hardware included.
- Heavy-duty rack and pinion drive system.
- Smooth and stable travel.
- Nearly silent operation.
- Welded steel construction.
- Built-in wire management.
- Patent Pending.



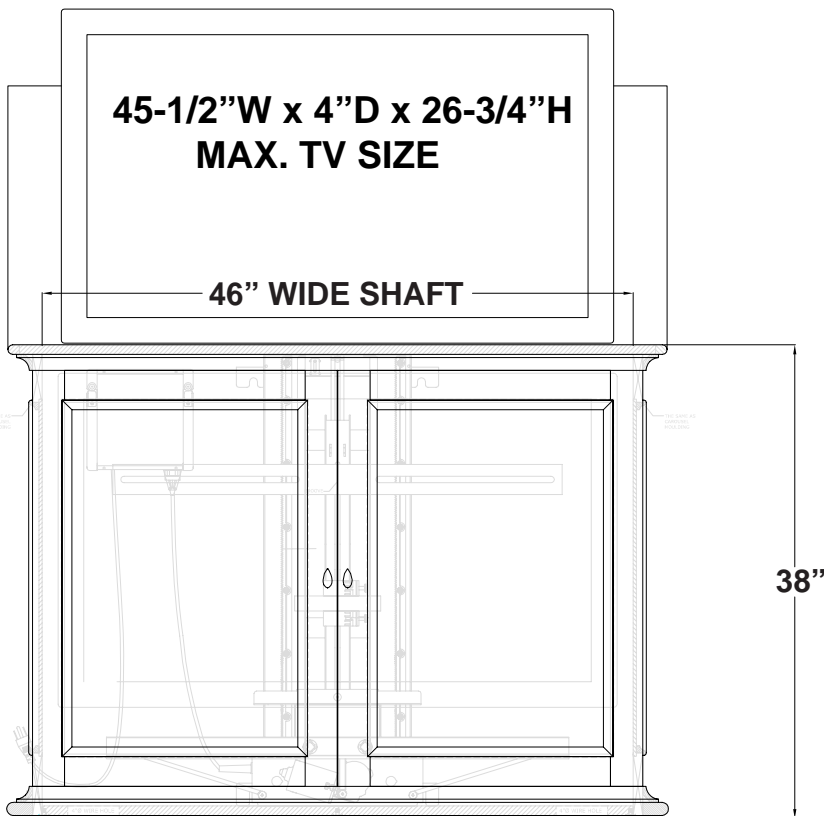
Sanctuary Black

TV Lift Cabinets

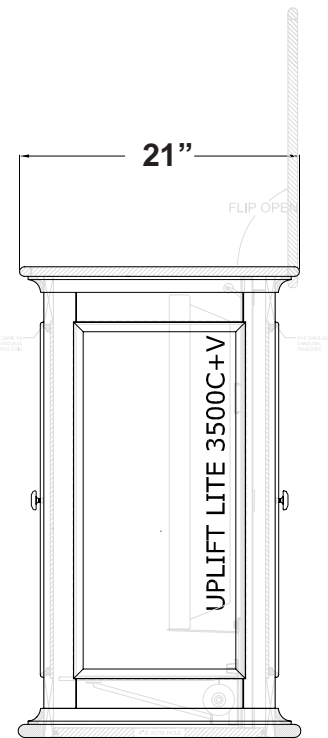
Dimension Drawing



TOP VIEW



FRONT VIEW



SIDE VIEW

Sanctuary Brown

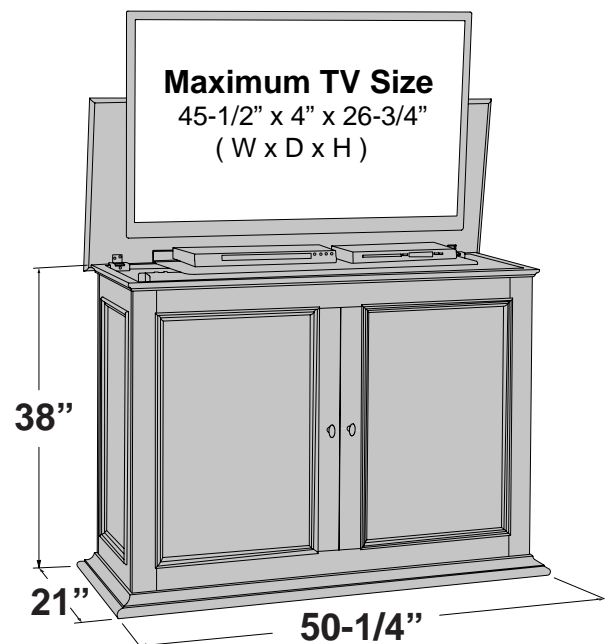
TV Lift Cabinet

Cabinet Features:

- Finished & framed on all 4 sides.
- Can be used against the wall, foot-of-bed, or free standing.
- Made in the USA by Amish Craftsmen.
- Ships fully set up and ready to use.
- Full 1 year in-home warranty.
- Max. TV Size: 45-1/2" x 4" x 26-3/4"
- 2-1/2" holes are cut into the floor allowing the wires to pass through the bottom of the cabinet and out under the baseboard.
- Max. Loading Weight: 80 pounds (most 32"- 47" TV's weigh 40 pounds or less)
- Lift Machine: UL Recognized Heavy Duty Rack and pinion.
- Remote and manual controls for simple operation.
- Built-in adjustable feet allow you to raise and lower the cabinet for additional height to pass wires under the baseboard.
- Finished by hand in our exclusive matte black paint.

Lift Features:

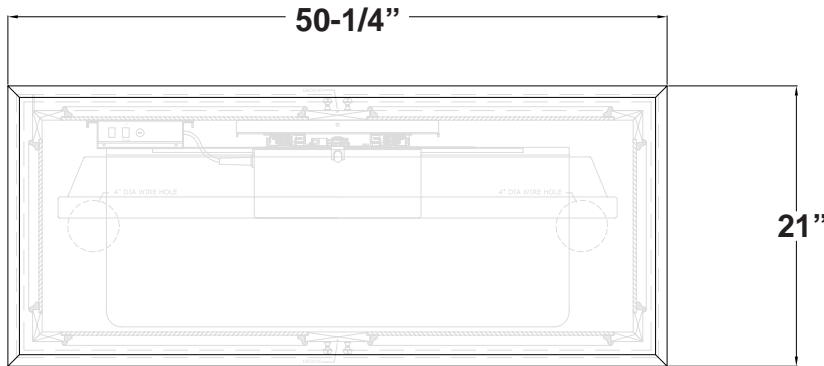
- Fully assembled & pre-installed.
- 1 year in home parts and labor warranty.
- Radio Frequency Remote.
- Universal TV mounting bracket & TV mounting hardware included.
- Heavy-duty rack and pinion drive system.
- Smooth and stable travel.
- Nearly silent operation.
- Welded steel construction.
- Built-in wire management.
- Patent Pending.



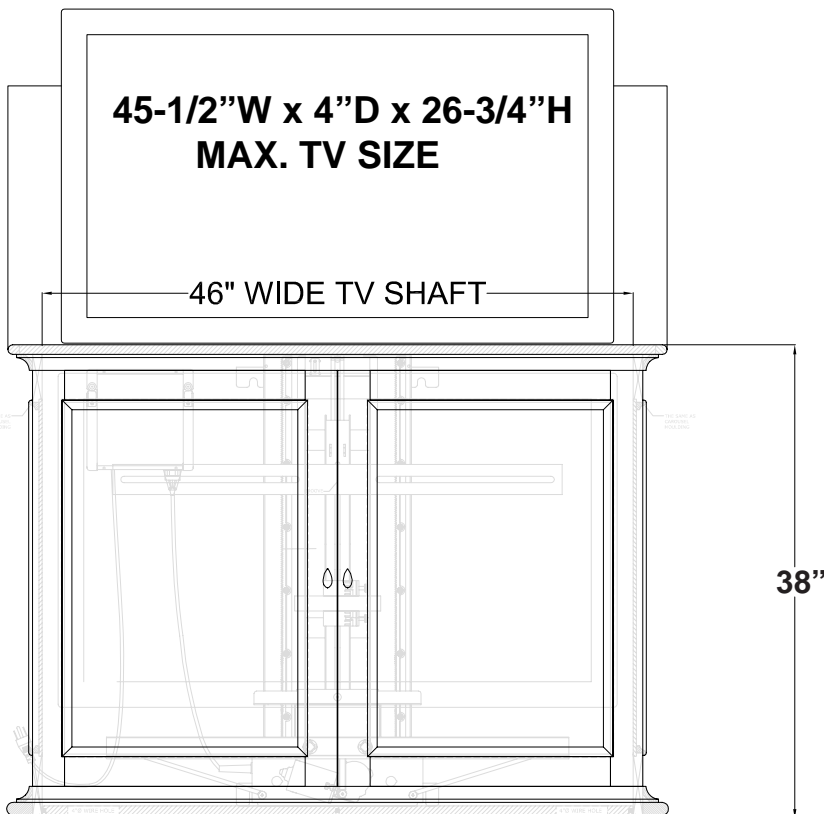
Sanctuary Brown

TV Lift Cabinets

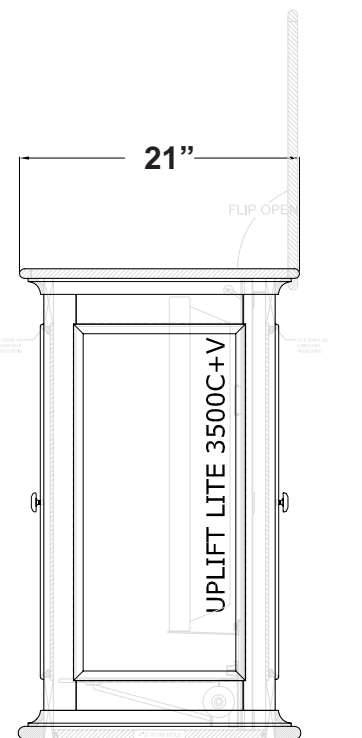
Dimension Drawing



TOP VIEW



FRONT VIEW



SIDE VIEW

Sanctuary Espresso

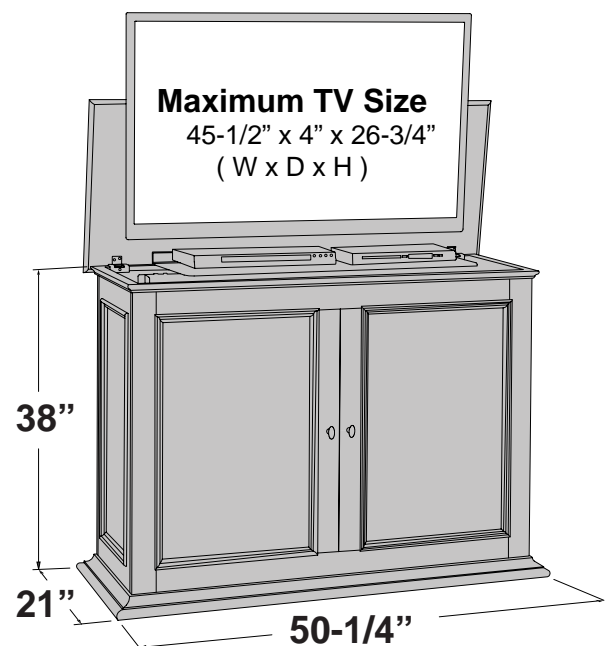
TV Lift Cabinet

Cabinet Features:

- Finished & framed on all 4 sides.
- Can be used against the wall, foot-of-bed, or free standing.
- Made in the USA by Amish Craftsmen.
- Ships fully set up and ready to use.
- Full 1 year in-home warranty.
- Max. TV Size: 45-1/2" x 4" x 26-3/4"
- 2-1/2" holes are cut into the floor allowing the wires to pass through the bottom of the cabinet and out under the baseboard.
- Max. Loading Weight: 80 pounds (most 32"- 47" TV's weigh 40 pounds or less)
- Lift Machine: UL Recognized Heavy Duty Rack and pinion.
- Remote and manual controls for simple operation.
- Built-in adjustable feet allow you to raise and lower the cabinet for additional height to pass wires under the baseboard.
- Finished by hand in our exclusive matte black paint.

Lift Features:

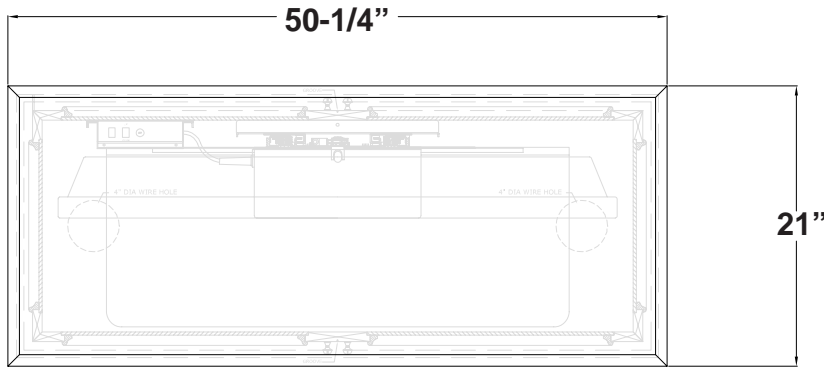
- Fully assembled & pre-installed.
- 1 year in home parts and labor warranty.
- Radio Frequency Remote.
- Universal TV mounting bracket & TV mounting hardware included.
- Heavy-duty rack and pinion drive system.
- Smooth and stable travel.
- Nearly silent operation.
- Welded steel construction.
- Built-in wire management.
- Patent Pending.



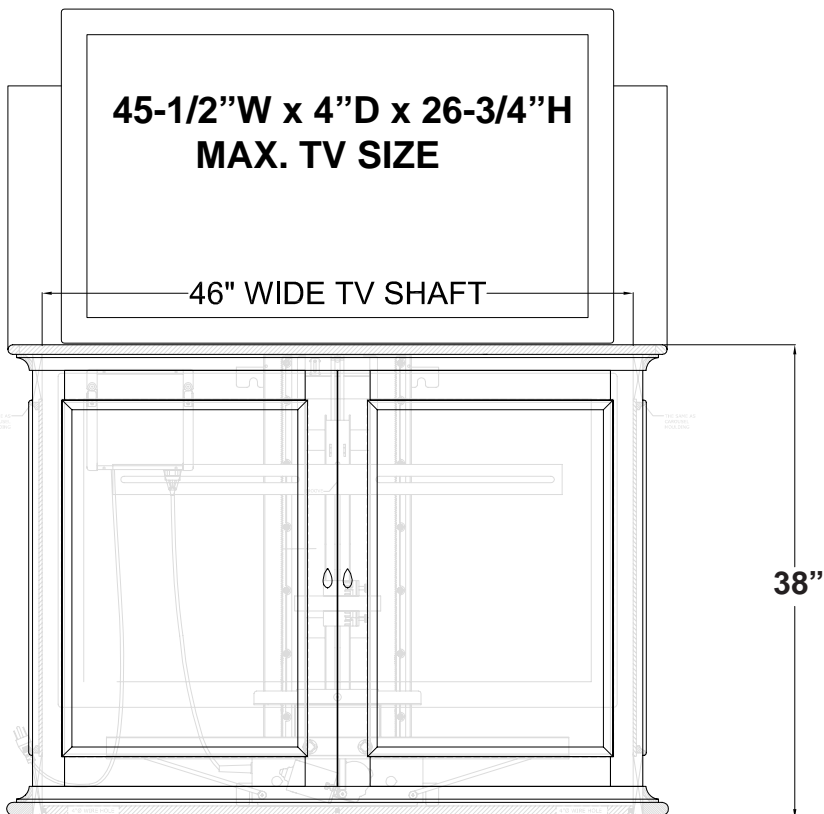
Sanctuary Espresso

TV Lift Cabinets

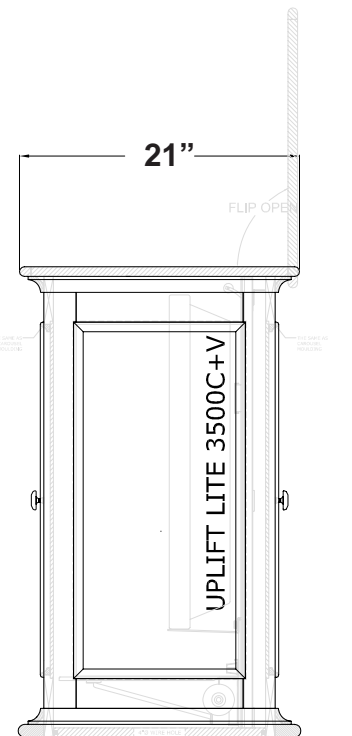
Dimension Drawing



TOP VIEW



FRONT VIEW



SIDE VIEW

Sanctuary White

TV Lift Cabinet

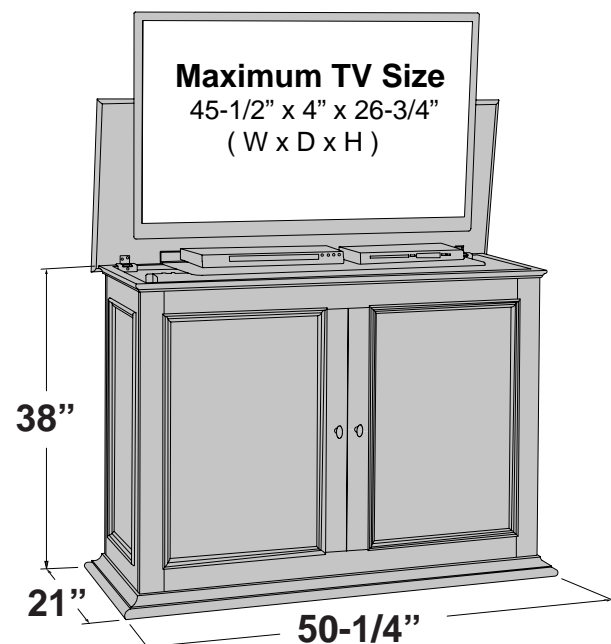
Cabinet Features:

- Finished & framed on all 4 sides.
- Can be used against the wall, foot-of-bed, or free standing.
- Made in the USA by Amish Craftsmen.
- Ships fully set up and ready to use.
- Full 1 year in-home warranty.
- Max. TV Size: 45-1/2" x 4" x 26-3/4"
- 2-1/2" holes are cut into the floor allowing the wires to pass through the bottom of the cabinet and out under the baseboard.
- Max. Loading Weight: 80 pounds (most 32"- 47" TV's weigh 40 pounds or less)
- Lift Machine: UL Recognized Heavy Duty Rack and pinion.
- Remote and manual controls for simple operation.
- Built-in adjustable feet allow you to raise and lower the cabinet for additional height to pass wires under the baseboard.
- Finished by hand in our exclusive matte black paint.



Lift Features:

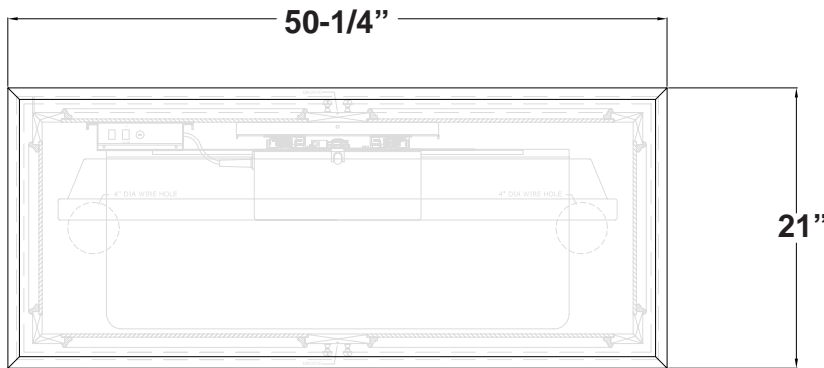
- Fully assembled & pre-installed.
- 1 year in home parts and labor warranty.
- Radio Frequency Remote.
- Universal TV mounting bracket & TV mounting hardware included.
- Heavy-duty rack and pinion drive system.
- Smooth and stable travel.
- Nearly silent operation.
- Welded steel construction.
- Built-in wire management.
- Patent Pending.



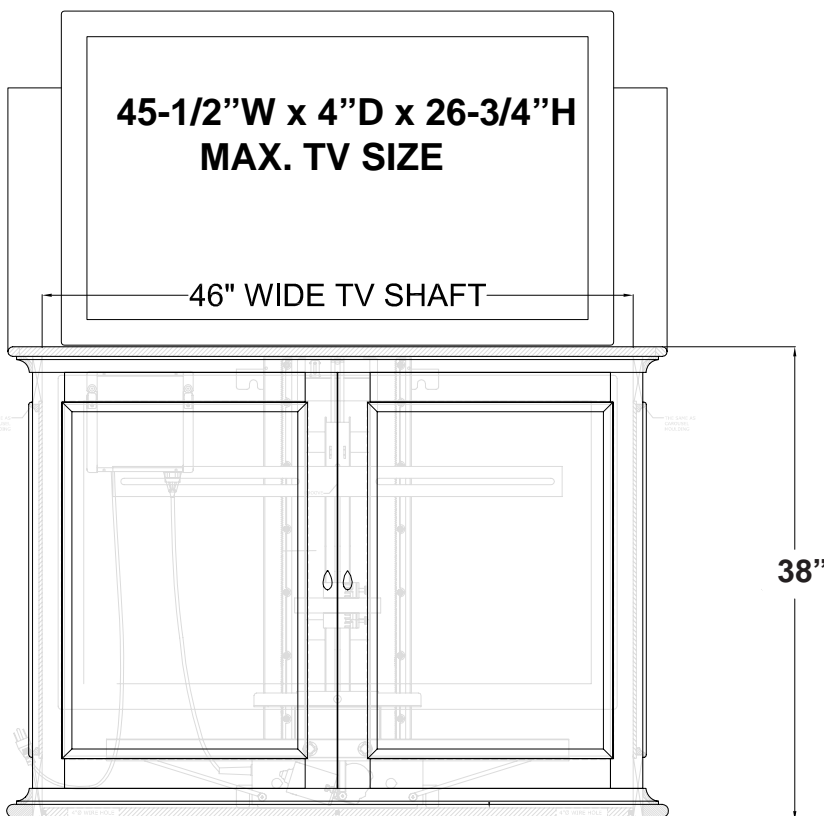
Sanctuary White

TV Lift Cabinets

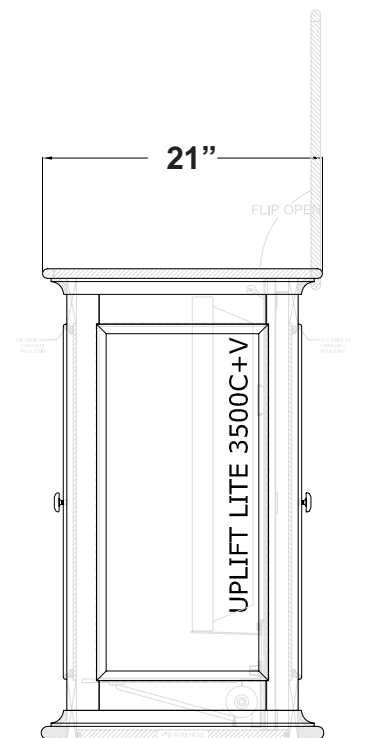
Dimension Drawing



TOP VIEW



FRONT VIEW



SIDE VIEW

Somerset

TV Lift Cabinet

Cabinet Features:

- Made in USA.
- Made of solid Maple wood.
- Ships fully assembled.
- Max. AV equipment size: 18"x 16"
- Dentil moldings underneath top.
- Three solid framed doors.
- Two ventilated adjustable shelves behind doors.
- Pre-installed IR (Infrared) and emitters.
- Large solid brass ring pulls in antique brass.
- Open cubby for soundbars and accessories.
- Fully ventilated backs to allow for generous air circulation.

Lift Features:

- Fully assembled and pre-installed.
- 1 year in home parts and labor warranty.
- Radio Frequency Remote.
- Thermal overload protection.
- Certified Crestron Intergrated Partner.
- AMX Certified Partner.
- Built in safety features.
- Universal TV mounting bracket included.
- Pre-installed heavy-duty rack and pinion drive system.
- Smooth and stable travel.
- Nearly silent operation.
- Welded steel construction.
- Thermal overload protection.
- Manual controls included, Patent pending.



Shown closed

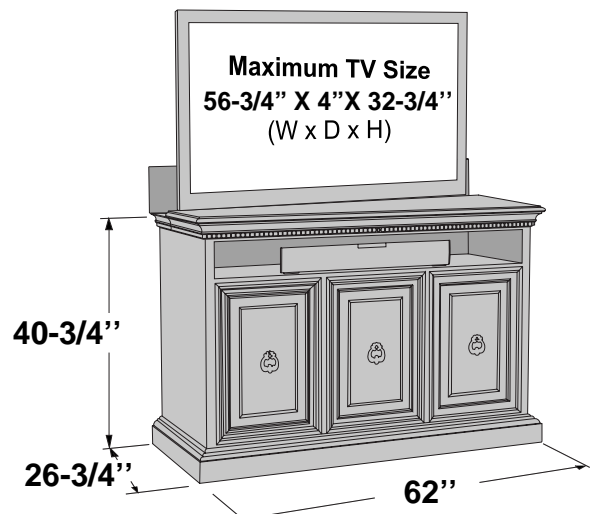
Shown open



Infrared relay system provides a window from your handheld remotes to your TV and audio components even though they are concealed inside the cabinet. No programming required!



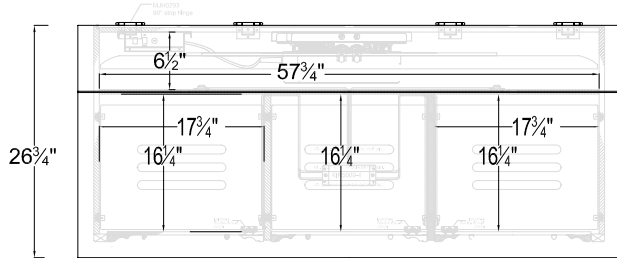
Radio frequency remote for operating TV lift mechanism



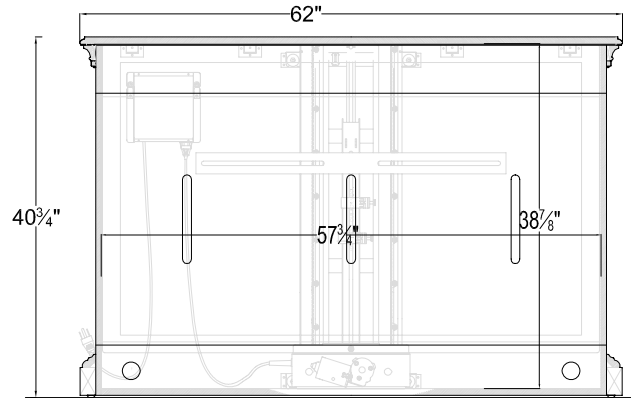
Somerset

TV Lift Cabinet

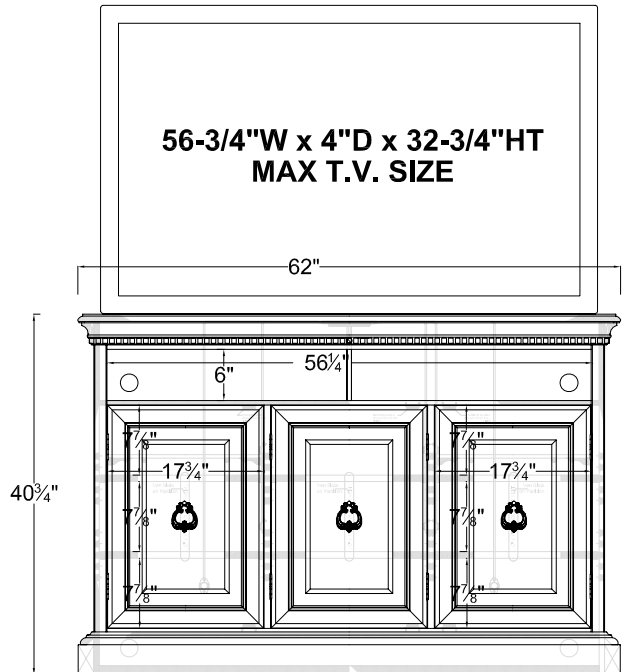
Dimension Drawing



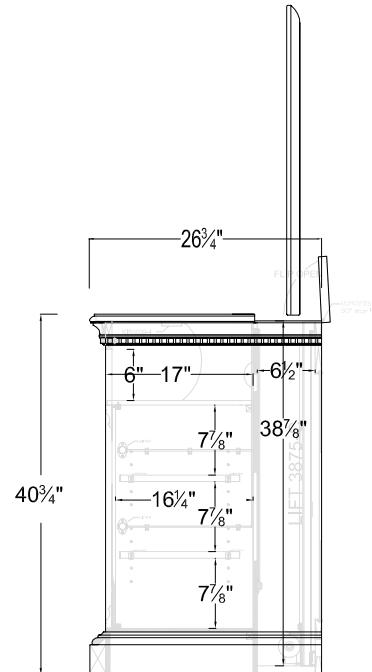
TOP VIEW



REAR VIEW



FRONT VIEW



SIDE VIEW

**56-3/4"W x 4"D x 32-3/4"HT
MAX T.V. SIZE**

Steamer

TV Lift Cabinet

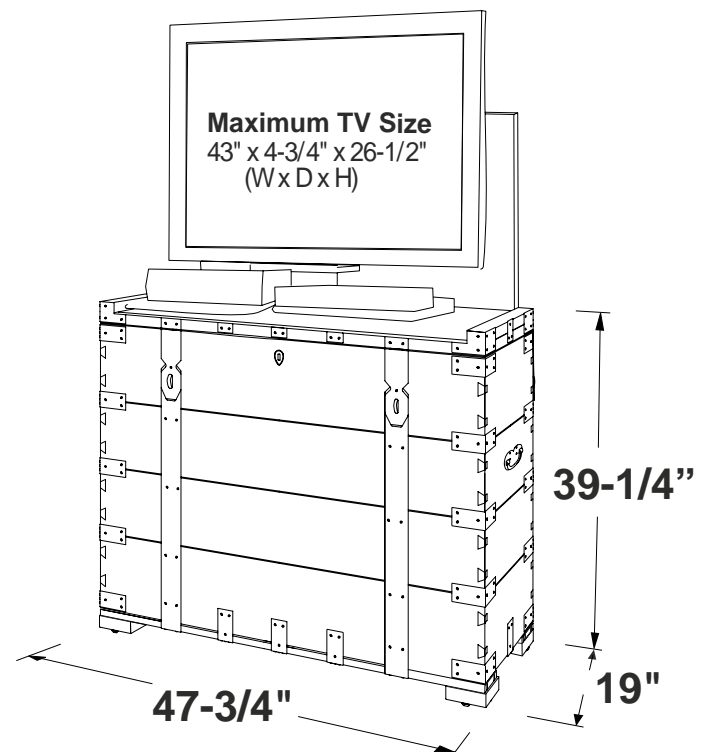
Cabinet Features:

- Finished on all four sides so it may be used at the foot of the bed, against the wall, or free standing.
- Hand hammered metal accents.
- Made with solid Oak.
- Fully assembled.
- Full 1 year in-home warranty.
- Max. TV Size: 43" x 4-3/4" x 26-1/2"
- Max. Loading Weight: 80 pounds (most 46" TV's weigh 40 pounds)
- Max. Lift Equipment Depth: 13-1/4" + 2" for wire management.
- Lift: Rack and pinion – UL Recognized
- Two pieces of electronics ride up and down with the TV keeping them concealed when not in use.



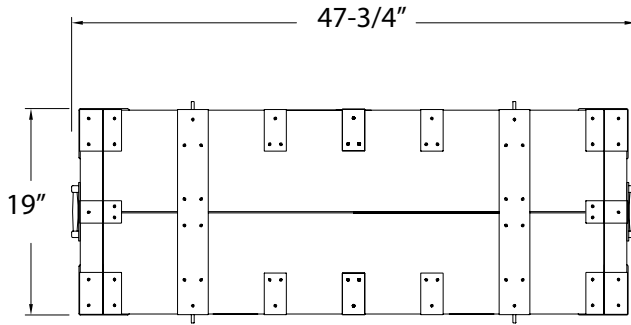
Lift Features:

- Fully assembled & pre-installed
- 1 year in home parts and labor warranty.
- Radio Frequency Remote.
- Universal TV mounting bracket & TV mounting hardware included.
- Heavy-duty rack and pinion drive system.
- Smooth and stable travel.
- Nearly silent operation.
- Welded steel construction.
- Built-in wire management.
- Patent Pending.

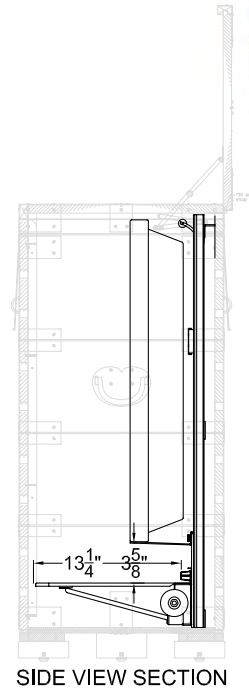


Steamer

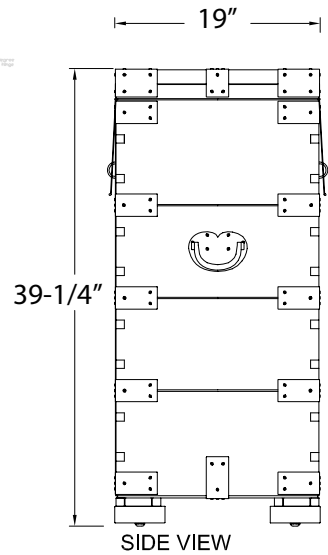
TV Lift Cabinet Dimension Drawing



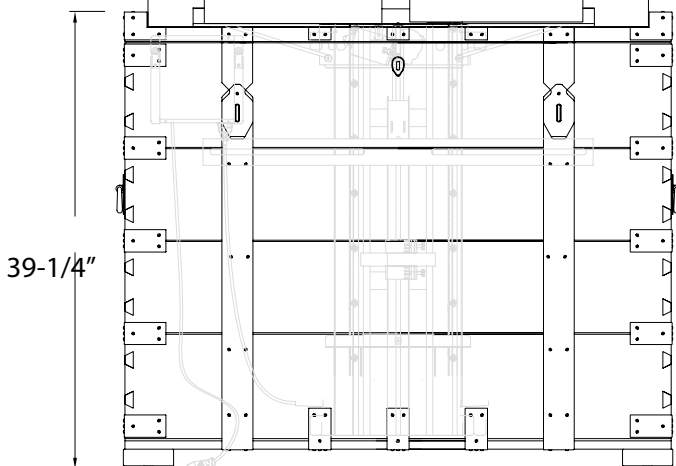
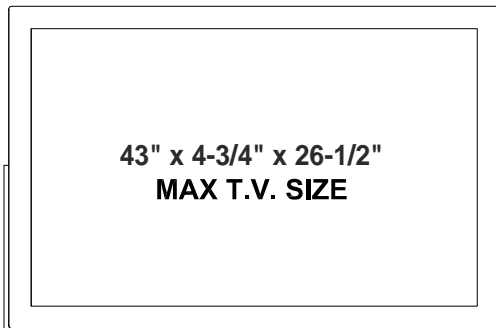
TOP VIEW



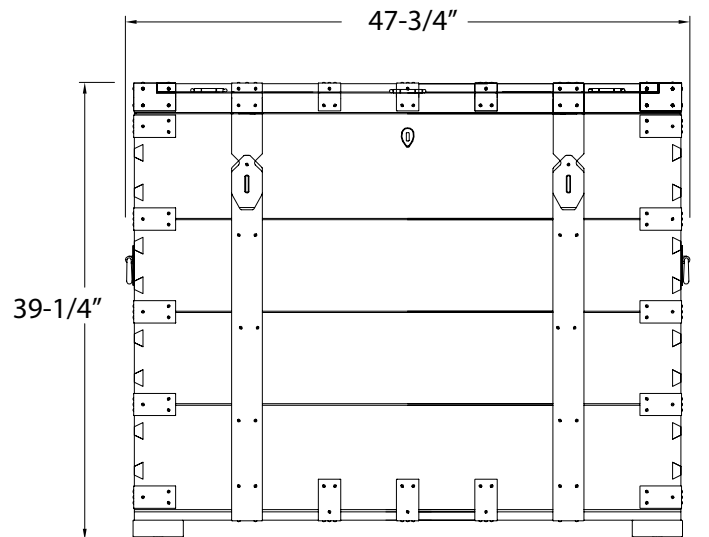
SIDE VIEW SECTION



SIDE VIEW



FRONT VIEW (OPEN)



REAR VIEW

Suite Black

TV Lift Cabinet

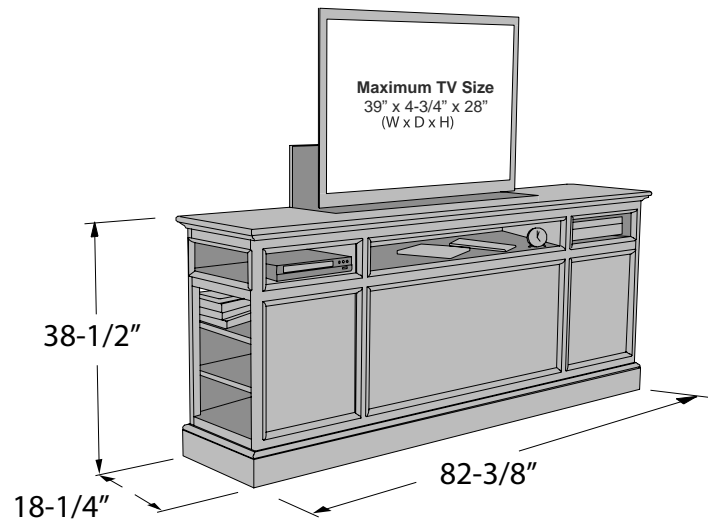
Cabinet Features:

- Made in USA.
- Ships fully assembled.
- Expertly crafted of solid Maple.
- Finished on all four sides so it may be used at the foot of the bed, against the wall or free standing.
- Cabinet may be moved/swiveled thanks to its 6 castor wheels.
- Full 1 year in-home warranty.
- Max. TV Size: 39" x 28" x 4-3/4"
- Max. Loading Weight: 80 pounds (most 42" TV's weigh 35 pounds)
- Lift: Rack and pinion – UL Recognized
- Two adjustable shelves on each side.



Lift Features:

- Fully assembled and pre-installed.
- 1 year in home parts and labor warranty.
- Radio Frequency Remote.
- Thermal overload protection.
- Certified Crestron Intergrated Partner
- Built in safety features.
- Universal TV mounting bracket included.
- Pre-installed Heavy-duty rack and pinion drive system.
- Smooth and stable travel.
- Nearly silent operation.
- Welded steel construction.
- Thermal overload protection.
- Manual controls included, Patent pending.

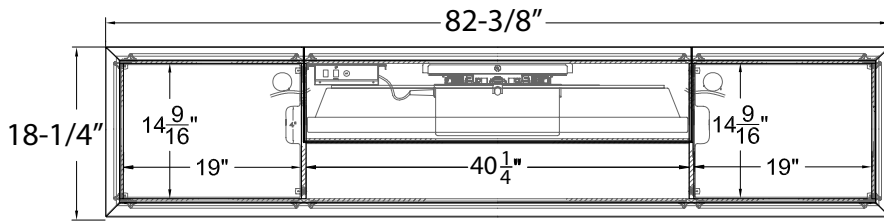


Radio frequency remote.
for operating TV lift mechanism

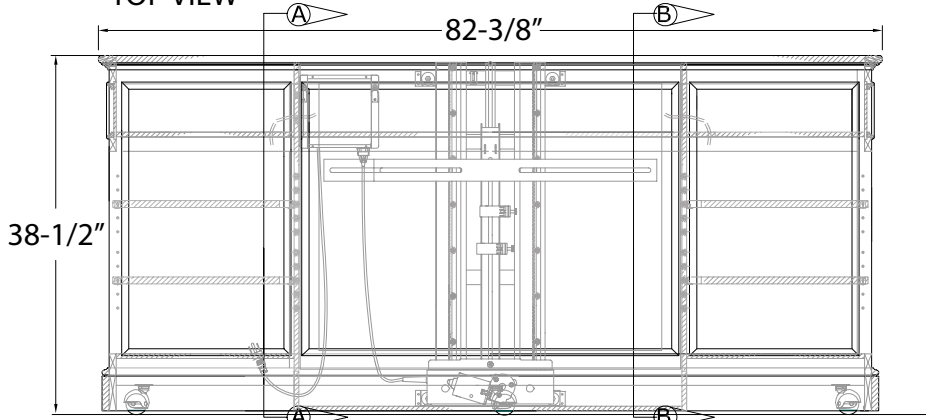
Suite Black

TV Lift Cabinet

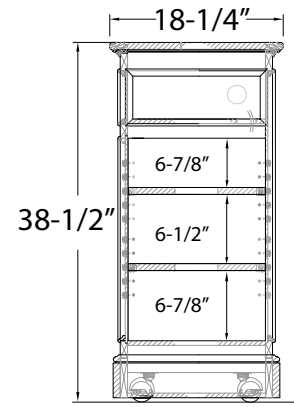
Dimension Drawing



TOP VIEW



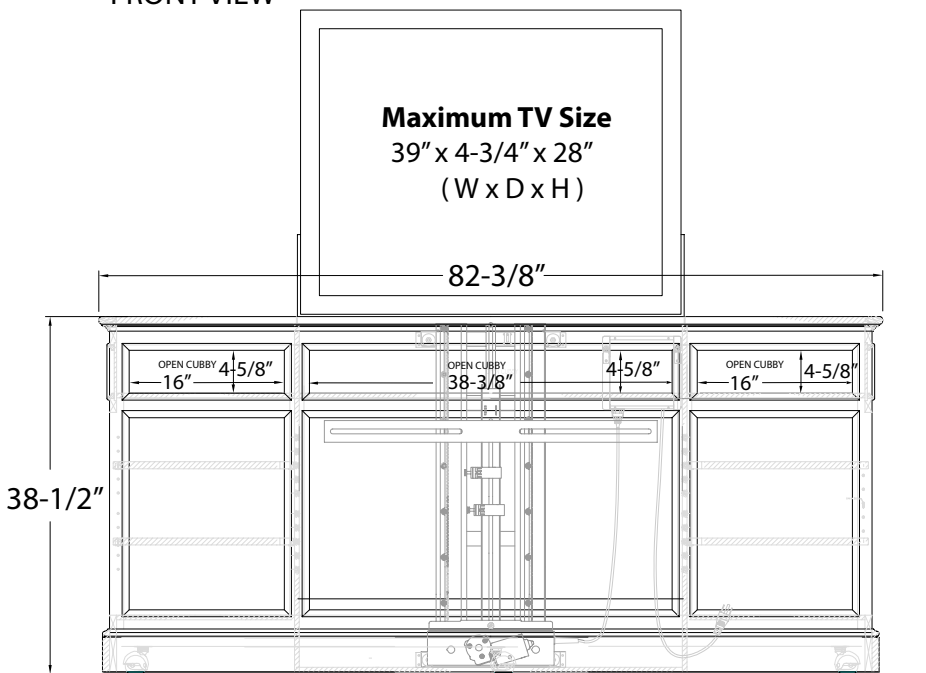
FRONT VIEW



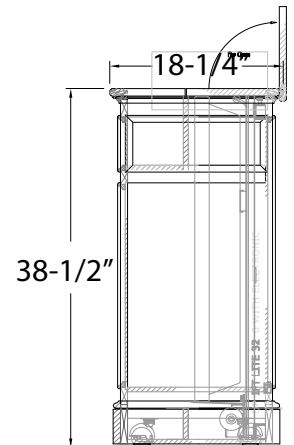
SIDE VIEW (SECTION-A)

Maximum TV Size

39" x 4-3/4" x 28"
(W x D x H)



REAR VIEW



SIDE VIEW (SECTION-B)

Suite Brown

TV Lift Cabinet

Cabinet Features:

- Made in USA.
- Ships fully assembled.
- Expertly crafted of solid Maple.
- Finished on all four sides so it may be used at the foot of the bed, against the wall or free standing.
- Cabinet may be moved/swiveled thanks to its 6 castor wheels.
- Full 1 year in-home warranty.
- Max. TV Size: 39" x 28" x 4-3/4"
- Max. Loading Weight: 80 pounds (most 42" TV's weigh 35 pounds)
- Lift: Rack and pinion – UL Recognized
- Two adjustable shelves on each side.

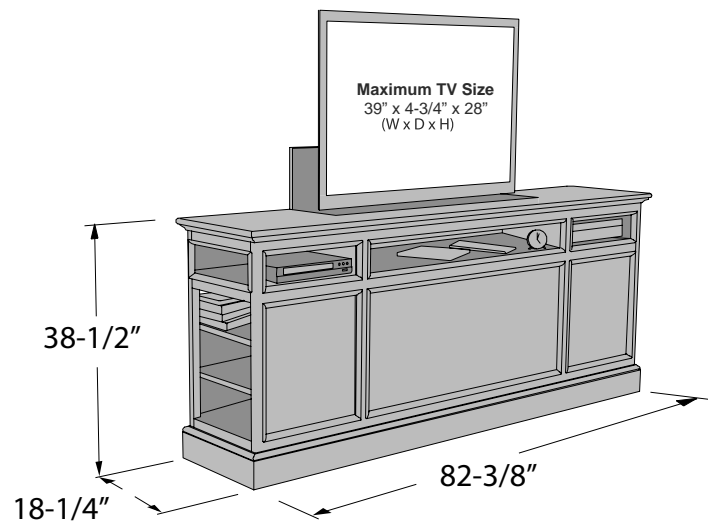


Lift Features:

- Fully assembled and pre-installed.
- 1 year in home parts and labor warranty.
- Radio Frequency Remote.
- Thermal overload protection.
- Certified Crestron Intergrated Partner
- Built in safety features.
- Universal TV mounting bracket included.
- Pre-installed Heavy-duty rack and pinion drive system.
- Smooth and stable travel.
- Nearly silent operation.
- Welded steel construction.
- Thermal overload protection.
- Manual controls included, Patent pending.



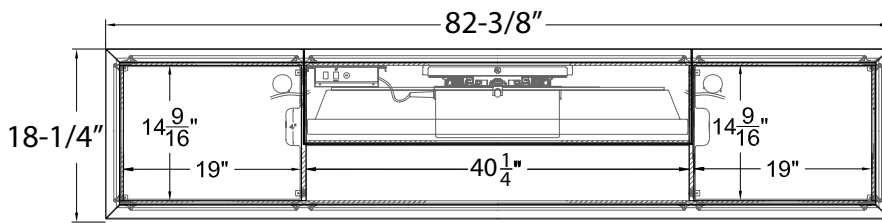
Radio frequency remote.
for operating TV lift mechanism



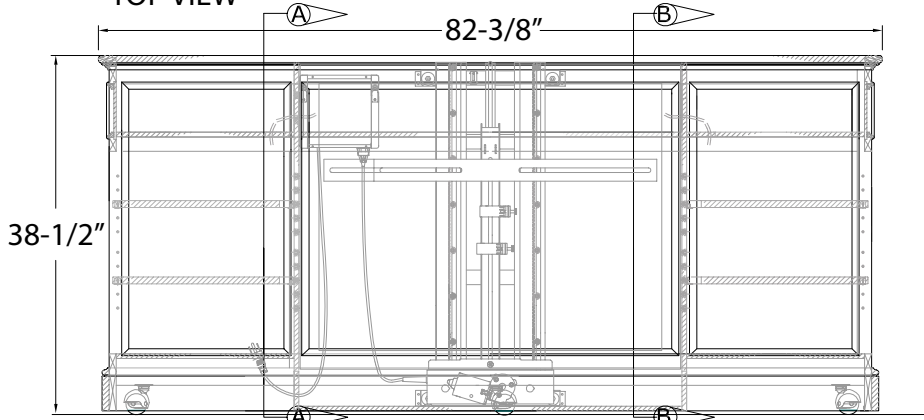
Suite Brown

TV Lift Cabinet

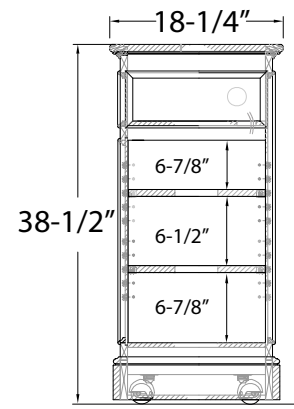
Dimension Drawing



TOP VIEW



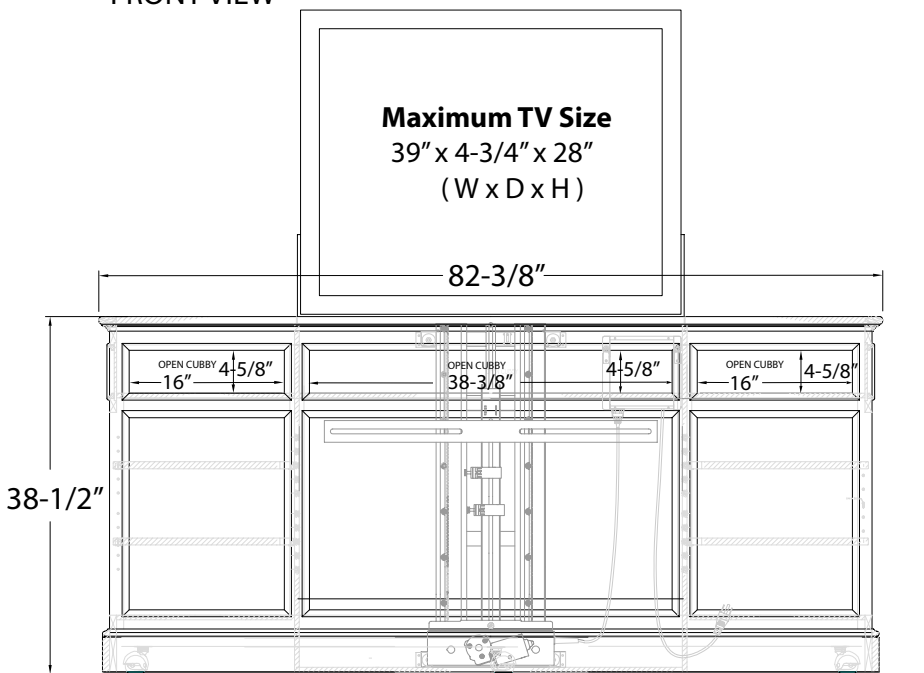
FRONT VIEW



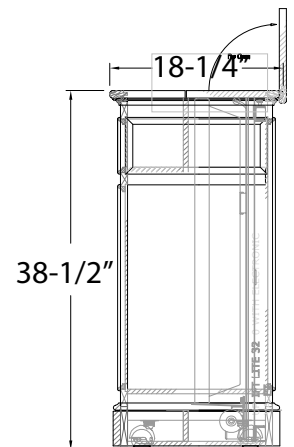
SIDE VIEW (SECTION-A)

Maximum TV Size

39" x 4-3/4" x 28"
(W x D x H)



REAR VIEW



SIDE VIEW (SECTION-B)

Suite Espresso

TV Lift Cabinet

Cabinet Features:

- Made in USA.
- Ships fully assembled.
- Expertly crafted of solid Maple.
- Finished on all four sides so it may be used at the foot of the bed, against the wall or free standing.
- Cabinet may be moved/swiveled thanks to its 6 castor wheels.
- Full 1 year in-home warranty.
- Max. TV Size: 39" x 28" x 4-3/4"
- Max. Loading Weight: 80 pounds (most 42" TV's weigh 35 pounds)
- Lift: Rack and pinion – UL Recognized
- Two adjustable shelves on each side.

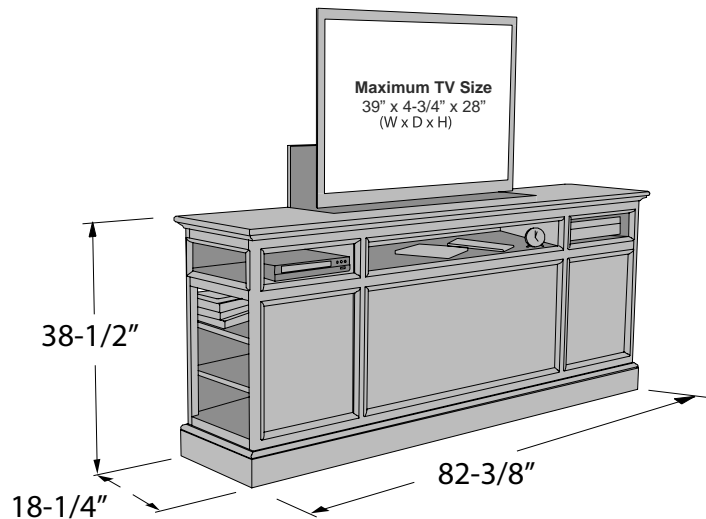


Lift Features:

- Fully assembled and pre-installed.
- 1 year in home parts and labor warranty.
- Radio Frequency Remote.
- Thermal overload protection.
- Certified Crestron Intergrated Partner
- Built in safety features.
- Universal TV mounting bracket included.
- Pre-installed Heavy-duty rack and pinion drive system.
- Smooth and stable travel.
- Nearly silent operation.
- Welded steel construction.
- Thermal overload protection.
- Manual controls included, Patent pending.



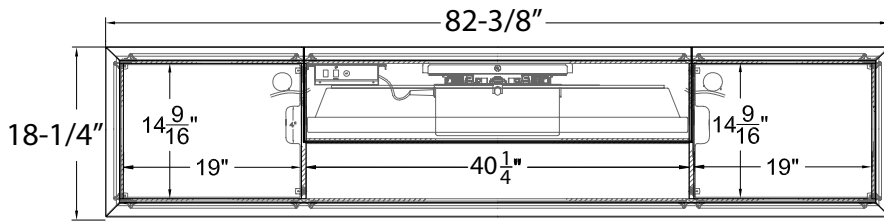
Radio frequency remote.
for operating TV lift mechanism



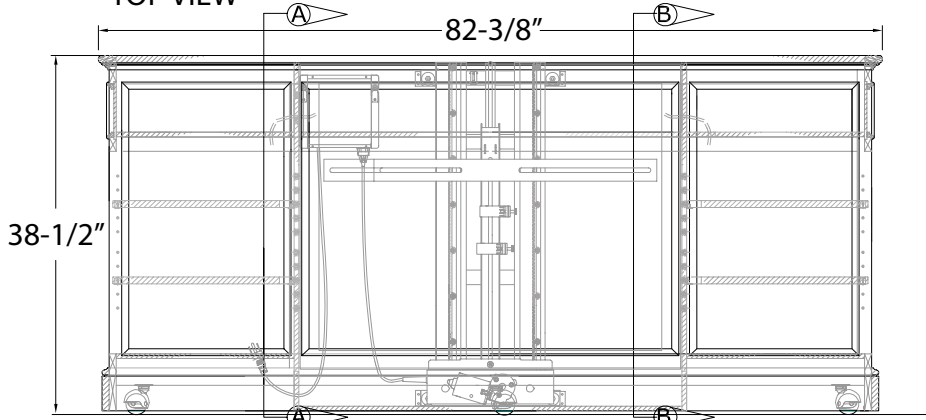
Suite Espresso

TV Lift Cabinet

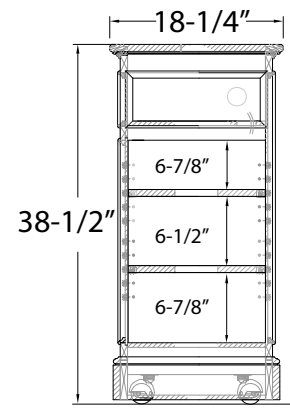
Dimension Drawing



TOP VIEW



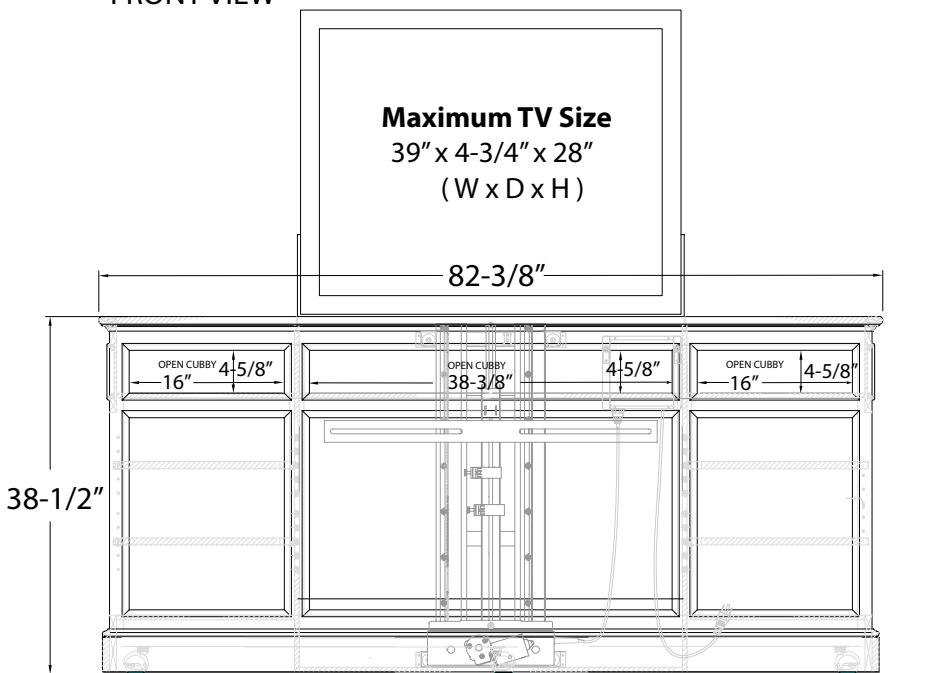
FRONT VIEW



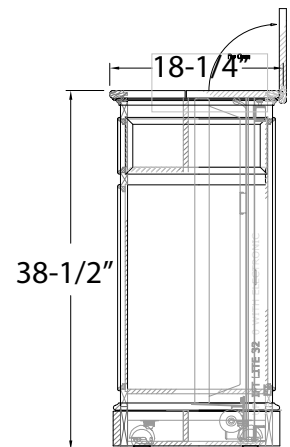
SIDE VIEW (SECTION-A)

Maximum TV Size

39" x 4-3/4" x 28"
(W x D x H)



REAR VIEW



SIDE VIEW (SECTION-B)

Suite White

TV Lift Cabinet

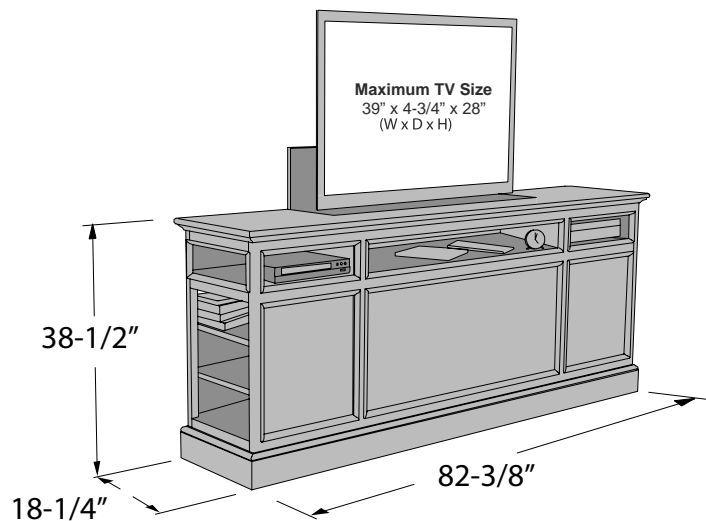
Cabinet Features:

- Made in USA.
- Ships fully assembled.
- Expertly crafted of solid Maple.
- Finished on all four sides so it may be used at the foot of the bed, against the wall or free standing.
- Cabinet may be moved/swiveled thanks to its 6 castor wheels.
- Full 1 year in-home warranty.
- Max. TV Size: 39" x 28" x 4-3/4"
- Max. Loading Weight: 80 pounds (most 42" TV's weigh 35 pounds)
- Lift: Rack and pinion – UL Recognized
- Two adjustable shelves on each side.



Lift Features:

- Fully assembled and pre-installed.
- 1 year in home parts and labor warranty.
- Radio Frequency Remote.
- Thermal overload protection.
- Certified Crestron Intergrated Partner
- Built in safety features.
- Universal TV mounting bracket included.
- Pre-installed Heavy-duty rack and pinion drive system.
- Smooth and stable travel.
- Nearly silent operation.
- Welded steel construction.
- Thermal overload protection.
- Manual controls included, Patent pending.

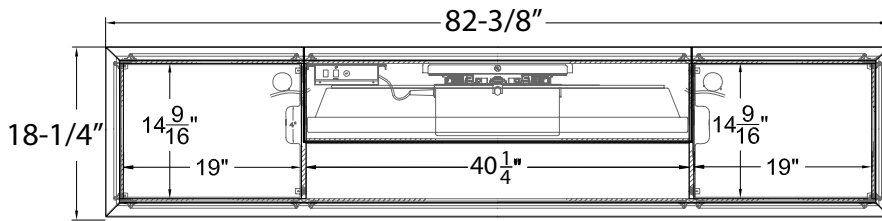


Radio frequency remote.
for operating TV lift mechanism

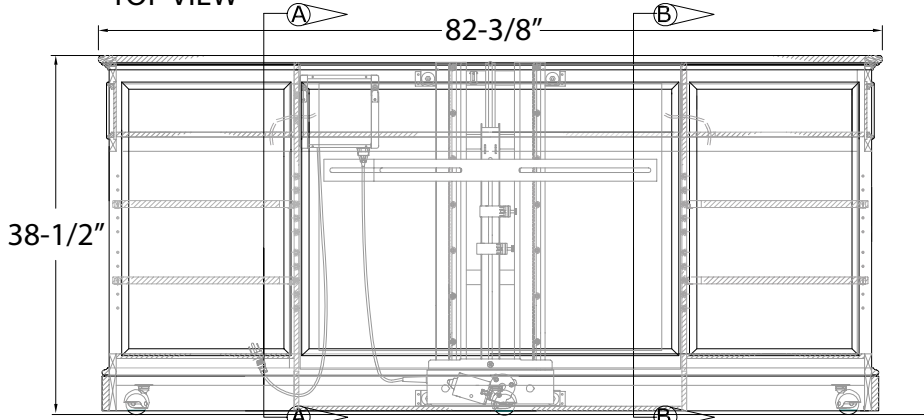
Suite White

TV Lift Cabinet

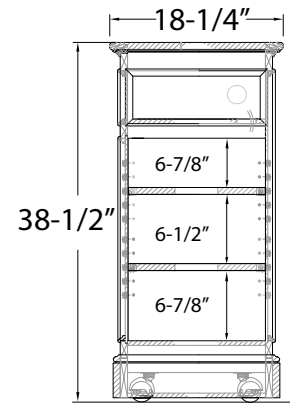
Dimension Drawing



TOP VIEW



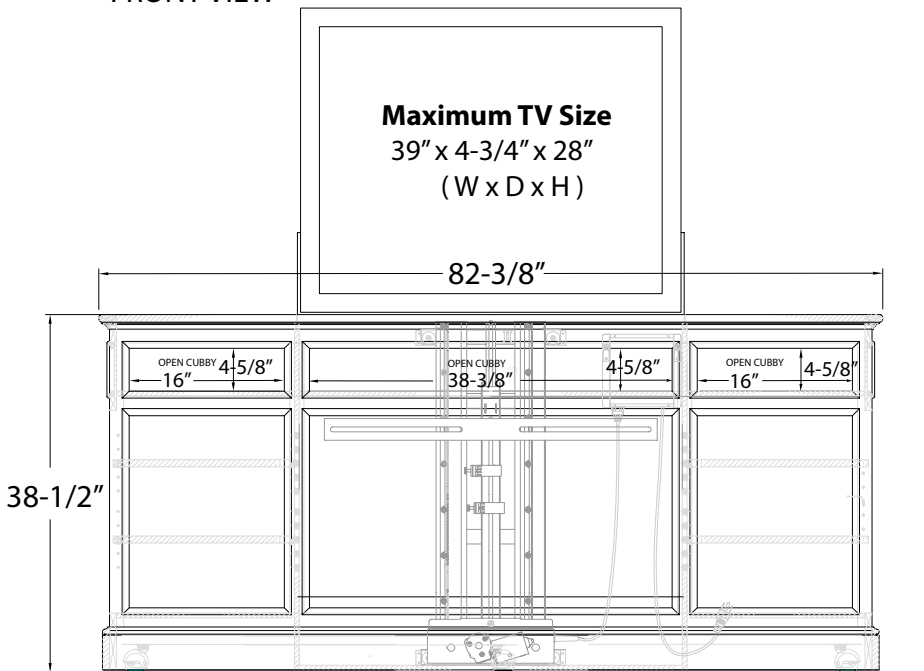
FRONT VIEW



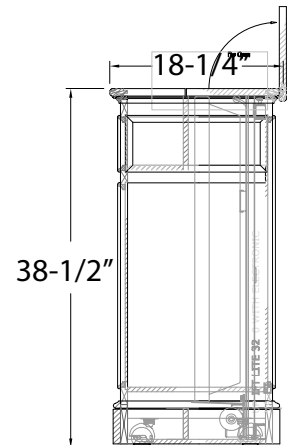
SIDE VIEW (SECTION-A)

Maximum TV Size

39" x 4-3/4" x 28"
(W x D x H)



REAR VIEW



SIDE VIEW (SECTION-B)

Traveler

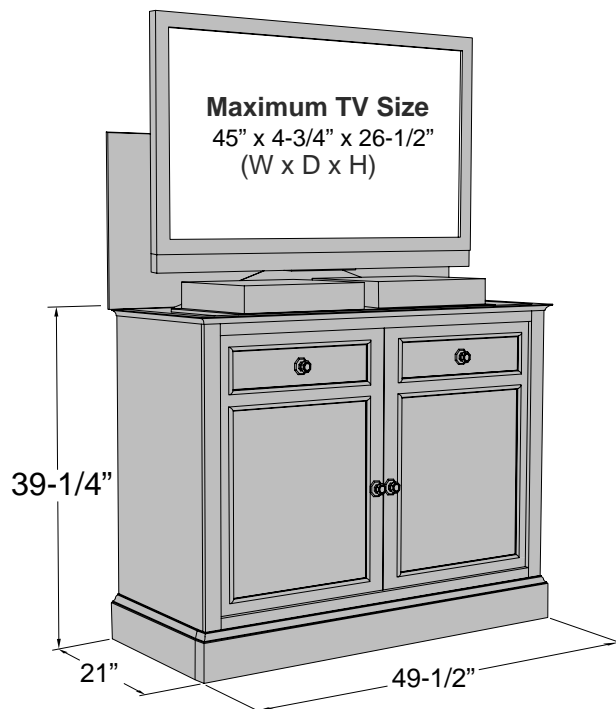
TV Lift Cabinet

Cabinet Features:

- Finished & framed on all 4 sides.
- Can be used against the wall, foot-of-bed, or free standing.
- Made in the USA by Amish Craftsmen.
- Fully assembled.
- Full 1 year in-home warranty.
- Max. TV Size: 45" x 4-3/4" x 26-1/2".
- Max. Loading Weight: 80 pounds (most 46" TV's weigh 40-50 pounds)
- Max. Lift Equipment Depth: 13-1/4"
- Constructed of Select Hardwoods.
- Lift: Heavy duty rack and pinion – UL Recognized.

Lift Features:

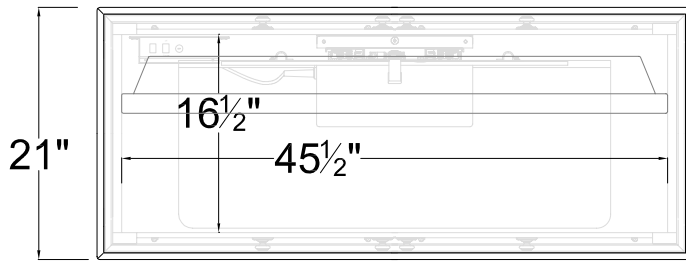
- Fully assembled & pre-installed.
- 1 year in home parts and labor warranty.
- Universal TV mounting bracket included.
- Radio Frequency Remote.
- Heavy-duty rack and pinion drive system.
- Smooth and stable travel.
- Nearly silent operation.
- Welded steel construction.
- Thermal overload protection.
- Built-in wire management.
- Patent Pending.
- 12 volt trigger.



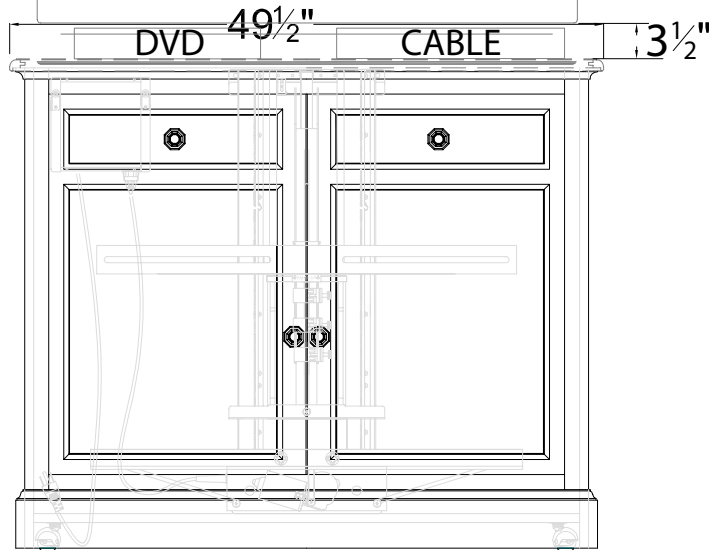
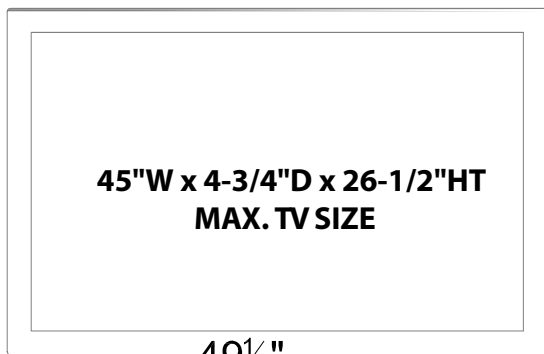
Traveler

TV Lift Cabinet

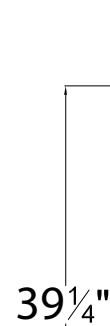
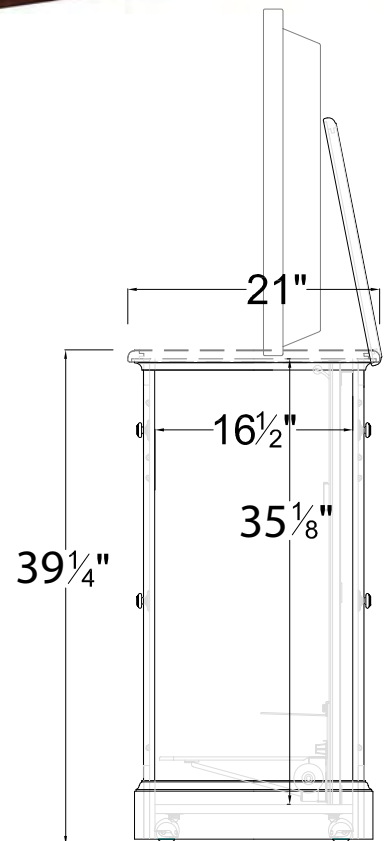
Dimension Drawing



TOP VIEW



FRONT/REAR VIEW



SIDE VIEW

Under the Window

TV Lift Cabinet

Cabinet Features:

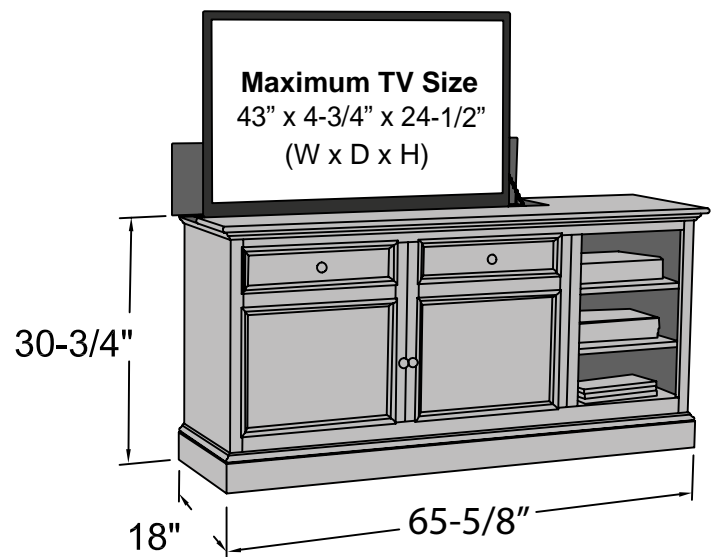
- Made with solidwood in the USA by Amish craftsmen.
- Ships fully assembled.
- Full 1 year in-home warranty.
- Max. TV Size: 43" x 24.5" x 4.75".
- Max. Loading Weight: 80 pounds (most 40" - 43" TV's weigh 35-60 pounds)
- Max. electronics equipment depth: 15"
- Wire management cut-outs.
- Two ventilated adjustable shelves.
- Solid brass knobs in antique finish.
- Pre -installed IR (Infrared) and emitters.
- Lift: Rack and pinion – UL Recognized

Lift Features:

- Fully assembled and pre-installed.
- 1 year in home parts and labor warranty.
- Radio Frequency Remote.
- Thermal overload protection.
- Certified Crestron Intergrated Partner.
- Built in safety features.
- Universal TV mounting bracket included.
- Pre -installed heavy-duty rack and pinion drive system.
- Smooth and stable travel.
- Nearly silent operation.
- Welded steel construction.
- Thermal overload protection.
- Manual controls included, Patent pending.



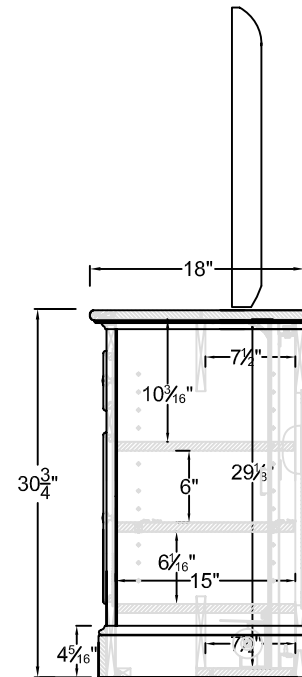
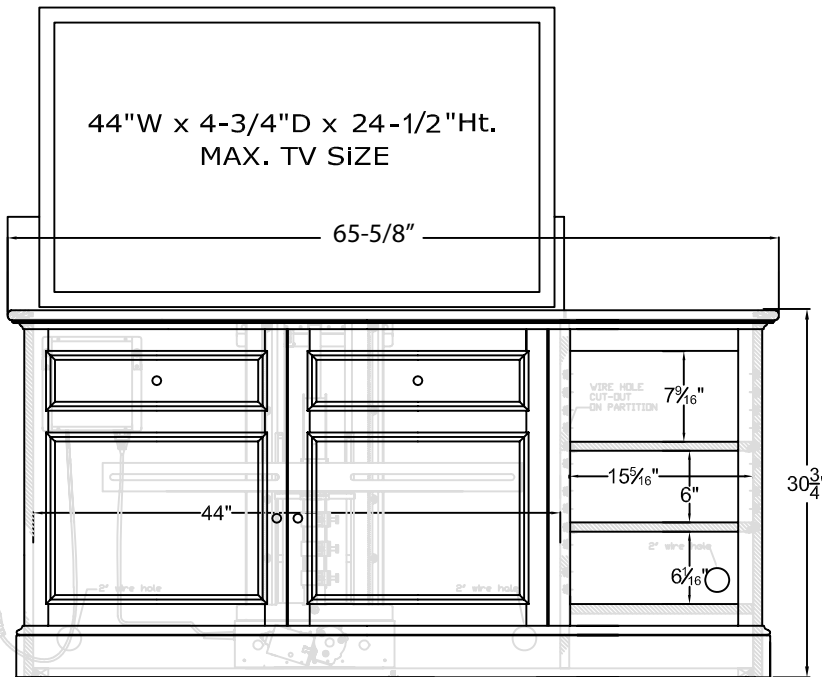
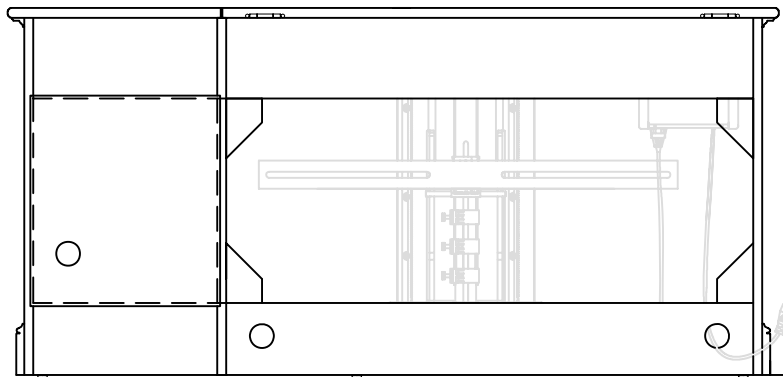
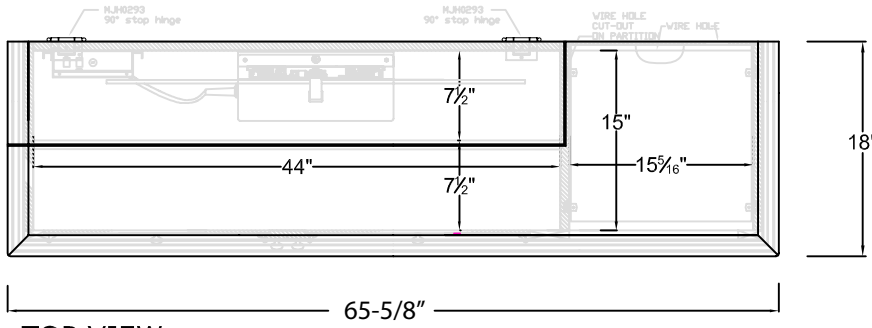
Radio frequency remote for operating TV lift mechanism



Under the Window

TV Lift Cabinet

Dimension Drawing





FACTORY-DIRECT TV LIFT CABINETS

info@tvliftcabinet.com



877-377-5435

M-F 8:30 AM - 5:30 PM EST

2295 NW Corporate Blvd

Suite 221

Boca Raton, FL 33431